

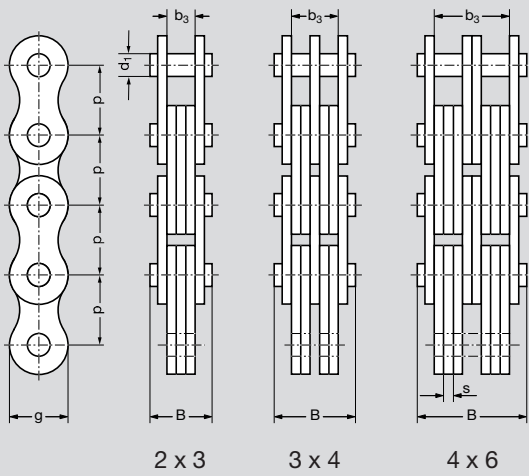
Leaf chains



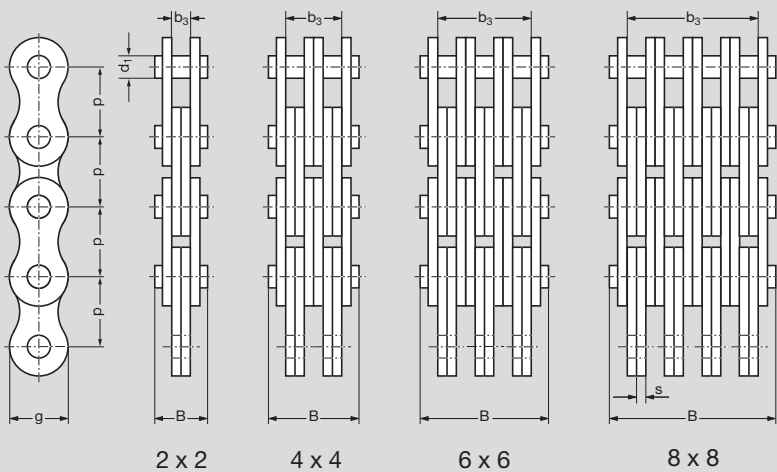
Safety lifting chains.

Leaf Chains are often a safety-critical component part. For this reason Rexnord Leaf Chains are supplied marked with a batch number. This allows traceability to process and inspection records right back to the raw material and its supplier.

Leaf chains, odd lacings



Leaf chains, even lacings



Leaf chains acc. to ISO 4347 / DIN 8152, American standard, Heavy series

Chain No.	Chain description ISO DIN	Pitch p		Plate combinations	Pin ∅ d ₁ max. mm	Link plate height g mm	Link plate thick s mm	Length over 100 x Pitch ■ mm	Total width B max. mm	Bearing area A cm ²	Link plate width b ₃ min. mm	Min. ultimate strength required*) acc. to DIVISO F _B N	Weight ≈ q kg/m
		inch	mm										
BL 422	LH 0822	0.50	12.7	2 x 2	5.08	11.7	2.0	1277	10.9	0.20	4.2	22 200	0.60
BL 423	LH 0823			2 x 3					13.0	0.30	6.3	22 200	0.65
BL 434	LH 0834			3 x 4					17.1	0.41	10.5	33 300	0.90
BL 444	LH 0844			4 x 4					19.25	0.41	12.6	44 400	1.02
BL 446	LH 0846			4 x 6					23.45	0.61	16.8	44 400	1.26
BL 466	LH 0866			6 x 6					27.6	0.61	21.0	66 600	1.51
BL 523	LH 1023	0.625	15.875	2 x 3	5.94	14.6	2.4	1596	15.0	0.43	7.4	33 400	1.1
BL 534	LH 1034			3 x 4					20.0	0.57	12.3	50 100	1.5
BL 544	LH 1044			4 x 4					22.5	0.57	14.7	66 800	1.8
BL 546	LH 1046			4 x 6					27.3	0.86	19.6	66 800	2.2
BL 566	LH 1066			6 x 6					32.3	0.86	24.5	100 200	2.6
BL 588	LH 1088			8 x 8					42.2	1.14	34.3	133 600	3.4
BL 622	LH 1222	0.75	19.05	2 x 2	7.92	17.8	3.1	1908	16.6	0.51	6.4	48 900	1.5
BL 623	LH 1223			2 x 3					19.9	0.74	9.6	48 900	1.8
BL 634	LH 1234			3 x 4					26.5	0.98	16.0	73 400	2.5
BL 644	LH 1244			4 x 4					29.7	0.98	19.3	97 800	2.9
BL 646	LH 1246			4 x 6					36.3	1.47	25.8	97 800	3.6
BL 666	LH 1266			6 x 6					42.7	1.47	32.2	146 900	4.3
BL 822	LH 1622	1.00	25.4	2 x 2	9.53	23.6	4.0	2540	20.6	0.74	8.2	84 500	2.4
BL 823	LH 1623			2 x 3					24.8	1.14	12.3	84 500	3.0
BL 834	LH 1634			3 x 4					33.1	1.52	20.5	126 800	4.2
BL 844	LH 1644			4 x 4					37.3	1.52	24.7	169 000	4.8
BL 846	LH 1646			4 x 6					45.7	2.29	33.0	169 000	6.0
BL 866	LH 1666			6 x 6					54.0	2.29	41.3	253 600	7.2
BL 888	LH 1688	8 x 8	70.7	2.97	57.9	338 000	9.6						
BL 1023	LH 2023	1.25	31.75	2 x 3	11.1	29.2	4.7	3179	28.9	1.56	14.4	115 600	4.4
BL 1034	LH 2034			3 x 4					38.7	2.09	24.0	173 400	6.2
BL 1044	LH 2044			4 x 4					43.7	2.09	28.8	231 200	7.0
BL 1046	LH 2046			4 x 6					53.5	3.12	38.4	231 200	8.7
BL 1066	LH 2066			6 x 6					63.4	3.12	48.0	346 800	10.5
BL 1088	LH 2088			8 x 8					83.0	4.17	67.2	462 400	13.9
BL 1223	LH 2423	1.50	38.1	2 x 3	12.7	34.4	5.5	3812	33.6	2.10	16.8	151 200	6.0
BL 1234	LH 2434			3 x 4					45.5	2.79	28.0	226 800	8.3
BL 1244	LH 2444			4 x 4					51.2	2.79	33.6	302 400	9.5
BL 1246	LH 2446			4 x 6					62.7	4.2	44.8	302 400	11.8
BL 1266	LH 2466			6 x 6					74.5	4.2	56.0	453 600	14.1
BL 1288	LH 2488			8 x 8					97.8	5.4	78.4	604 800	18.8
BL 1423	LH 2823	1.75	44.45	2 x 3	14.27	40.8	6.3	4445	38.2	2.7	19.2	191 300	8.3
BL 1434	LH 2834			3 x 4					51.7	3.6	32.0	287 000	11.6
BL 1444	LH 2844			4 x 4					58.2	3.6	38.4	382 600	13.2
BL 1446	LH 2846			4 x 6					71.5	5.4	51.2	382 600	16.4
BL 1466	LH 2866			6 x 6					85.0	5.4	64.0	574 000	19.7
BL 1488	LH 2888			8 x 8					111.7	7.2	89.6	765 200	25.9
BL 1623	LH 3223	2.00	50.8	2 x 3	17.46	47.9	7.0	5080	42.1	3.67	21.3	289 100	11.0
BL 1634	LH 3234			3 x 4					57.0	4.89	35.5	433 700	15.4
BL 1644	LH 3244			4 x 4					63.8	5.0	42.6	578 200	17.5
BL 1646	LH 3246			4 x 6					78.9	7.33	56.8	578 200	21.8
BL 1666	LH 3266			6 x 6					95.0	7.33	71.0	867 400	26.2
BL 1688	LH 3288			8 x 8					125.6	9.78	99.4	1 156 400	34.9

BL leaf chains can be directly fastened by using connecting pins. They do not need additional end plates.

Wherever possible, it is best to select BL- leaf chains.

Further plate combinations upon request.

Please note the following the specs.:

Length over 100 x Pitch

■ chain length: Tolerance ± 0.25 % of uncoiled chain under measured load. Measured force = $\frac{F_B}{100}$

F = pin and plate dimensions correspond to roller chain series acc. to DIN 8187.

AL = pin and plate dimensions correspond to ANSI standard.

BL = pin and plate dimensions correspond to ANSI standard, however these leaf chains possess the plate thickness and pin ∅ of the next largest corresponding chain size, to achieve a larger bearing area and tensile strength, and consequently longer working life for the BL leaf chains.

*) Details about the effective higher Rexnord ultimate strengths and fatigue strength values are available upon request.

Leaf chains



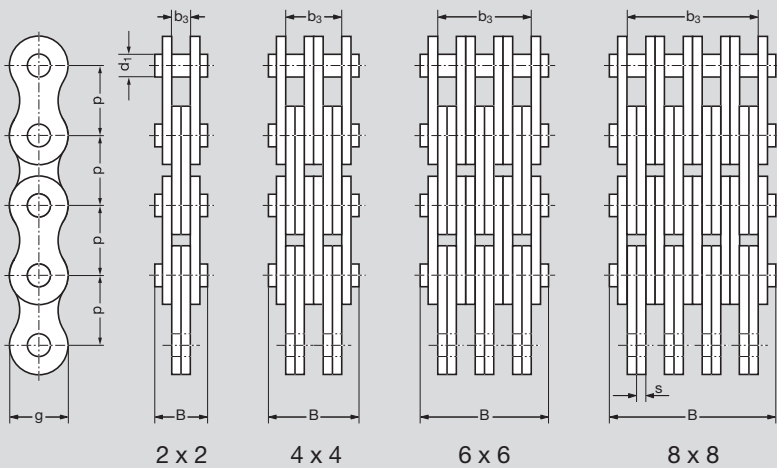
F Series:
Machine tool quality.

Use machine tool chains from the "F" series in special machine tool quality!

The effective pitch dimensions for leaf chains from the series F and AL vary somewhat from the theoretical values. Please note the following specs.: "Length over 100 x Pitch".

■ Chain length: Tolerance $\pm 0,25\%$ of uncoiled chain under measured load. Measured force = $\frac{F_B}{100}$

Leaf chains, Lacings



Leaf chains, Industry standard

Chain No.	Chain description	Pitch p		Plate combinations	Pin \varnothing	Link plate height	Link plate thick	Length over 100 x Pitch	Total width	Bearing area	Min. ultimate strength*)	Weight
		inch	mm									
F 6 H - 5	-	0.625	15.875	2 x 3	4.75	14.6	2.5	1592	14.9	0.24	30 300	1.0
F 19 V - 44	-	0.75	19.05	4 x 4	6.5	15.2	2.35	1905	22.8	0.61	71 000	1.7
F 19 V - 66	-	-	-	6 x 6	-	-	-	-	32.7	0.91	106 000	2.5
834 (SK 507)	-	1.00	25.4	3 x 4	10.85	23.4	IL /AL	2544	28.4	1.37	125 000	3.6
432 (SK 508)	-	-	-	6 x 6	-	-	3.05/4.0	-	44.4	2.06	250 000	5.9

*) Details about the effective higher Rexnord ultimate strengths and fatigue strength values are available upon request.

Leaf chains acc. to ISO 4347 / DIN 8152, European standard, Light series

Chain No.	Chain description ISO DIN	Pitch p		Plate combinations	Pin ∅ d ₁ max. mm	Link plate height g mm	Link plate thick s mm	Length over 100 x Pitch ■ mm	Total width B max. mm	Bearing area A cm ²	Link plate width b ₃ min. mm	Min. ultimate strength required*) acc. to DIN/ISO F _B N	Weight ≈ q kg/m
		inch	mm										
F 12 – 44	LL 0844	0,50	12,7	4 x 4	4,45	10,4	1,5	1270	15,0	0,27	9,1	36 000	0,83
F 12 – 66	LL 0866			6 x 6					21,3	0,40	15,2	54 000	1,25
F 15 – 44	LL 1044	0,625	15,875	4 x 4	5,08	12,8	1,5	1588	15,2	0,30	9,6	44 800	0,92
F 15 – 66	LL 1066			6 x 6					21,7	0,46	16,0	67 200	1,4
F 19 – 44	LL 1244	0,75	19,05	4 x 4	5,72	15,9	1,8	1890	18,0	0,41	11,4	59 000	1,4
F 19 – 66	LL 1266			6 x 6					25,7	0,62	19,0	88 500	2,1
F 25 – 44	LL 1644	1,00	25,4	4 x 4	8,28	20,5	3,0	2540	28,4	0,99	18,6	120 000	2,9
F 25 – 66	LL 1666			6 x 6					40,7	1,49	31,0	180 000	4,3
F 25 – 88	LL 1688			8 x 8					53,0	1,98	43,4	240 000	5,8
F 31 – 44	LL 2044	1,25	31,75	4 x 4	10,19	25,7	3,5	3160	33,5	1,42	21,6	190 000	4,3
F 31 – 66	LL 2066			6 x 6					48,2	2,12	36,0	285 000	6,4
F 31 – 88	LL 2088			8 x 8					62,9	2,83	50,4	380 000	8,4
F 38 – 44	LL 2444	1,50	38,1	4 x 4	14,63	33,0	5,0	3785	46,9	2,91	31,2	320 000	8,2
F 38 – 66	LL 2466			6 x 6					68,3	4,37	52,4	480 000	12,2
F 38 – 88	LL 2488			8 x 8					89,7	5,82	73,5	640 000	16,2
F 44 – 22	LL 2822	1,75	44,45	2 x 2	15,9	36,0	6,0	4410	29,4	1,90	12,3	200 000	5,2
F 44 – 44	LL 2844			4 x 4					54,7	3,80	36,8	400 000	10,4
F 44 – 66	LL 2866			6 x 6					80,2	5,70	61,4	600 000	15,6
F 44 – 88	LL 2888			8 x 8					105,4	7,60	86,5	800 000	20,8
F 50 – 22	LL 3222	2,00	50,8	2 x 2	17,81	41,2	6,3	5048	32,5	2,24	12,9	250 000	6,5
F 50 – 44	LL 3244			4 x 4					59,1	4,47	39,1	500 000	12,8
F 50 – 66	LL 3266			6 x 6					85,4	6,71	65,6	750 000	19,1
F 50 – 88	LL 3288			8 x 8					112,0	8,94	92,0	1 000 000	25,3
F 63 – 22	LL 4022	2,50	63,5	2 x 2	22,89	48,0	8,0	6340	39,5	3,65	16,3	355 000	9,2
F 63 – 44	LL 4044			4 x 4					73,1	7,30	49,4	710 000	17,7
F 63 – 66	LL 4066			6 x 6					106,5	10,94	82,7	1 065 000	26,9
F 63 – 88	LL 4088			8 x 8					139,9	14,60	116,0	1 420 000	35,1
F 76 – 22	LL 4822	3,00	76,2	2 x 2	29,24	62,0	10,0	7620	49,7	5,83	20,3	560 000	15,4
F 76 – 44	LL 4844			4 x 4					91,2	11,66	60,6	1 120 000	30,2
F 76 – 66	LL 4866			6 x 6					131,0	17,50	101,0	1 680 000	45,0
F 76 – 88	LL 4888			8 x 8					172,8	23,30	144,0	2 240 000	59,8

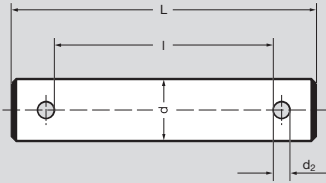
Leaf chains, American standard, Light series

Chain No.	Chain description ISO DIN	Pitch p		Plate combinations	Pin ∅ d ₁ max. mm	Link plate height g mm	Link plate thick s mm	Length over 100 x Pitch ■ mm	Total width B max. mm	Bearing area A cm ²	Link plate width b ₃ min. mm	Min. ultimate strength*) F _B N	Weight ≈ q kg/m
		inch	mm										
AL 422	–	0,50	12,7	2 x 2	3,96	10,2	1,5	1257	8,4	0,12	3,2	14 100	0,35
AL 444	–			4 x 4					14,8	0,23	9,6	28 200	0,67
AL 466	–			6 x 6					21,2	0,35	16,0	42 300	1,0
AL 522	–	0,625	15,875	2 x 2	5,08	12,8	2,0	1572	10,8	0,2	4,2	22 000	0,6
AL 544	–			4 x 4					19,2	0,4	12,6	44 000	1,2
AL 566	–			6 x 6					21,7	0,6	21,0	66 000	1,8
AL 622	–	0,75	19,05	2 x 2	5,94	14,8	2,4	1909	12,8	0,28	5,0	37 000	0,9
AL 644	–			4 x 4					23,0	0,57	15,0	63 600	1,7
AL 666	–			6 x 6					33,1	0,85	25,0	95 400	2,5
AL 688	–			8 x 8					43,2	1,14	35,0	127 200	3,3
AL 822	–	1,00	25,4	2 x 2	7,92	20,5	3,1	2540	16,6	0,51	6,3	56 700	1,5
AL 844	–			4 x 4					29,7	1,01	19,0	113 400	3,0
AL 866	–			6 x 6					42,7	1,52	31,8	170 100	4,5
AL 1044	–	1,25	31,75	4 x 4	9,53	25,7	4,0	3175	37,3	1,52	24,6	177 000	4,9
AL 1066	–			6 x 6					54,0	2,29	41,0	265 500	7,3
AL 1244	–	1,50	38,1	4 x 4	11,1	29,4	4,7	3810	43,7	2,08	28,8	254 000	6,4
AL 1266	–			6 x 6					63,4	3,12	48,0	381 000	9,5
AL 1288	–			8 x 8					83,0	4,17	67,2	508 000	12,7
AL 1444	–	1,75	44,45	4 x 4	12,7	36,0	5,5	4445	51,2	2,8	33,6	372 000	9,6
AL 1466	–			6 x 6					74,5	4,2	56,0	558 000	14,4
AL 1666	–	2,00	50,8	6 x 6	14,27	41,2	6,3	5080	85,0	5,39	64,0	642 000	18,9

*) Details about the effective higher Rexnord ultimate strengths and fatigue strength values are available upon request.

Fastening of leaf chains

Connecting pins for leaf chain fastening to fastening blocks

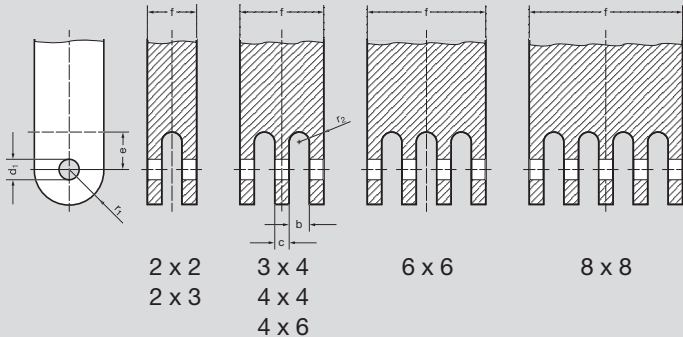


Each pin is fitted with 2 cotters and as from BL 1234 i.e. F 38 additionally with 2 washers.

Chain No.	Connecting pin Order No.	Connecting pin dimensions (in mm)			
		l min.	L max.	d max.	d ₂
F 12 - 44	709 - 204 - 44	16.0	22.2	4.45	1.6
F 12 - 66	709 - 204 - 66	23.0	29.2		
F 15 - 44	709 - 205 - 44	15.0	21.1	5.08	1.6
F 15 - 66	709 - 205 - 66	22.0	28.2		
F 19 - 44	709 - 405 - 44	17.6	25.5	5.72	2.0
F 19 - 66	709 - 405 - 66	24.7	32.7		
F 25 - 44	709 - 208 - 44	28.0	38.7	8.28	3.2
F 25 - 66	709 - 208 - 66	41.0	51.7		
F 25 - 88	709 - 208 - 88	54.0	64.7		
F 31 - 44	709 - 210 - 44	33.0	43.7	10.19	3.2
F 31 - 66	709 - 210 - 66	47.0	57.7		
F 31 - 88	709 - 210 - 88	62.0	72.7		
F 38 - 44	709 - 214 - 44	48.2	60.6	14.63	4.0
F 38 - 66	709 - 214 - 66	69.2	81.6		
F 38 - 88	709 - 214 - 88	90.2	102.6		
F 44 - 22	709 - 215 - 22	29.7	42.1	15.9	4.0
F 44 - 44	709 - 215 - 44	55.0	67.5		
F 44 - 66	709 - 215 - 66	80.2	92.7		
F 44 - 88	709 - 215 - 88	106.0	118.5		
F 50 - 22	709 - 217 - 22	34.4	51.9		
F 50 - 44	709 - 217 - 44	59.9	77.5		
F 50 - 66	709 - 217 - 66	86.4	104.0		
F 50 - 88	709 - 217 - 88	113.9	131.5		
F 63 - 22	709 - 222 - 22	39.9	60.8	22.89	6.3
F 63 - 44	709 - 222 - 44	73.3	94.3		
F 63 - 66	709 - 222 - 66	106.6	127.6		
F 63 - 88	709 - 222 - 88	140.1	161.1		
F 76 - 44	709 - 229 - 44	91.5	112.5	29.23	6.3
F 76 - 66	709 - 229 - 66	133.5	154.5		
F 76 - 88	709 - 229 - 88	174.2	195.2		
F 19 V - 44	709 - 206 - 44	23.0	30.2	6.5	2.0
F 19 V - 66	709 - 206 - 66	33.0	40.3		

Chain No.	Connecting pin Order No.	Connecting pin dimensions (in mm)			
		l min.	L max.	d max.	d ₂
BL 422/AL 522	709 - 305 - 22	10.8	17.0	5.08	1.6
BL 423	709 - 305 - 23	12.7	18.9		
BL 434	709 - 305 - 34	17.0	23.2		
BL 444/AL 544	709 - 305 - 44	19.0	25.2		
BL 446	709 - 305 - 46	23.0	29.2		
BL 466/AL 566	709 - 305 - 66	27.0	33.3		
BL 488/AL 588	709 - 305 - 88	35.5	41.8	5.94	2.0
BL 522/AL 622	709 - 355 - 22	12.8	19.4		
BL 523	709 - 355 - 23	15.0	21.6		
BL 534	709 - 355 - 34	20.0	26.6		
BL 544/AL 644	709 - 355 - 44	22.5	29.1		
BL 546	709 - 355 - 46	27.0	33.7		
BL 566/AL 666	709 - 355 - 66	32.0	38.7		
BL 588/AL 688	709 - 355 - 88	42.5	49.3	7.92	3.2
BL 623	709 - 307 - 23	20.0	30.7		
BL 634	709 - 307 - 34	27.0	37.7		
BL 644/AL 844	709 - 307 - 44	30.0	40.7		
BL 646	709 - 307 - 46	37.0	47.7		
BL 666/AL 866	709 - 307 - 66	43.0	53.7		
BL 688/AL 888	709 - 307 - 88	56.5	67.2	9.53	3.2
BL 823	709 - 309 - 23	25.0	35.7		
BL 834	709 - 309 - 34	33.0	43.7		
BL 844/AL 1044	709 - 309 - 44	37.0	47.7		
BL 846	709 - 309 - 46	46.0	56.7		
BL 866/AL 1066	709 - 309 - 66	53.0	63.7		
BL 888/AL 1088	709 - 309 - 88	69.5	80.3	11.1	4.0
BL 1023	709 - 311 - 23	30.0	42.4		
BL 1034	709 - 311 - 34	39.2	51.6		
BL 1044/AL 1244	709 - 311 - 44	44.2	56.6		
BL 1046	709 - 311 - 46	54.2	66.6		
BL 1066/AL 1266	709 - 311 - 66	63.2	75.6		
BL 1088/AL 1288	709 - 311 - 88	79.9	92.4	12.7	4.0
BL 1223	709 - 312 - 23	34.5	46.9		
BL 1234	709 - 312 - 34	46.2	58.6		
BL 1244/AL 1444	709 - 312 - 44	50.0	64.4		
BL 1246	709 - 312 - 46	63.5	76.0		
BL 1266/AL 1466	709 - 312 - 66	75.3	87.8		
BL 1288/AL 1488	709 - 312 - 88	98.6	111.1	14.27	4.0
BL 1423	709 - 314 - 23	38.7	51.1		
BL 1434	709 - 314 - 34	52.2	64.6		
BL 1444/AL 1644	709 - 314 - 44	58.6	71.1		
BL 1446	709 - 314 - 46	71.7	84.2		
BL 1466/AL 1666	709 - 314 - 66	85.1	97.7	17.46	5.0
BL 1623	709 - 317 - 23	43.1	60.6		
BL 1634	709 - 317 - 34	58.0	75.5		
BL 1644	709 - 317 - 44	65.7	82.9		
BL 1646	709 - 317 - 46	79.9	97.4		
BL 1666	709 - 317 - 66	94.6	112.2		
BL 1688	709 - 317 - 88	124.0	141.6		

Lacings



Recommendations for fastening block dimensions onto leaf chains (inner links)

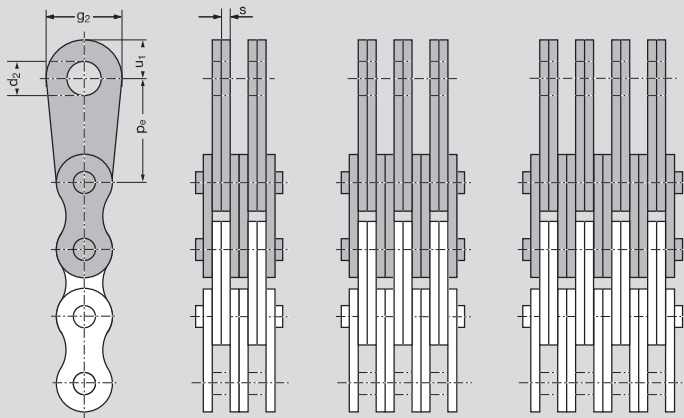
Chain No.	Inner link connector dimensions (in mm)						
	f max.	b min.	c max.	d ₁ D 10	e min.	r ₁ max.	r ₂ max.
BL 422/AL 522	10.7	4.2	–				2.0
BL 423	12.6	6.4	–				3.0
BL 434	16.9	4.2	2.0				2.0
BL 444/AL 544	18.9	4.2	4.0	5.1	9.0	6.5	2.0
BL 446	22.9	6.4	4.0				3.0
BL 466/AL 566	26.9	4.2	4.0				2.0
BL 488/AL 588	35.4	4.2	4.0				2.0
BL 522/AL 622	12.7	5.0	–				2.0
BL 523	14.9	7.5	–				2.0
BL 534	19.9	5.0	2.4				2.0
BL 544/AL 644	22.4	5.0	4.8	6.0	11.0	8.0	2.0
BL 546	26.9	7.5	4.8				2.0
BL 566/AL 666	31.9	5.0	4.8				2.0
BL 588/AL 688	42.4	5.0	4.8				2.0
BL 623	19.9	10.3	–				5.0
BL 634	26.9	6.8	3.2				3.0
BL 644/AL 844	29.9	6.8	6.4				3.0
BL 646	36.9	10.3	6.4	8.0	14.0	9.5	5.0
BL 666/AL 866	42.9	6.8	6.4				3.0
BL 688/AL 888	56.4	6.8	6.4				3.0
BL 823	24.9	12.8	–				6.0
BL 834	32.9	8.5	4.0				4.0
BL 844/AL 1044	36.9	8.5	8.0				4.0
BL 846	45.9	12.8	8.0	9.6	18.0	12.5	6.0
BL 866/AL 1066	52.9	8.5	8.0				4.0
BL 888/AL 1088	69.4	8.5	8.0				4.0
BL 1023	29.8	15.1	–				7.0
BL 1034	39.0	10.0	4.7				5.0
BL 1044/AL 1244	44.0	10.0	9.4				5.0
BL 1046	54.0	15.1	9.4	11.2	22.0	15.0	7.0
BL 1066/AL 1266	63.0	10.0	9.4				5.0
BL 1088/AL 1288	79.7	10.0	9.4				5.0
BL 1223	34.3	17.7	–				8.0
BL 1234	46.0	11.8	5.5				5.0
BL 1244/AL 1444	49.0	11.8	11.0				5.0
BL 1246	63.3	17.7	11.0	12.8	26.0	19.0	8.0
BL 1266/AL 1466	75.1	11.8	11.0				5.0
BL 1288/AL 1488	98.4	11.8	11.0				5.0
BL 1423	38.5	20.1	–				10.0
BL 1434	52.0	13.4	6.3				6.0
BL 1444/AL 1644	58.4	13.4	12.6	14.3	31.0	22.0	6.0
BL 1446	71.5	20.1	12.6				10.0
BL 1466/AL 1666	84.9	13.4	12.6				6.0
BL 1623	42.8	22.5	–				10.0
BL 1634	57.7	15.0	7.1				7.0
BL 1644	65.4	15.0	14.2				7.0
BL 1646	79.6	22.5	14.2	17.5	34.0	25.0	10.0
BL 1666	94.3	15.0	14.2				7.0
BL 1688	123.7	15.0	14.2				7.0

Chain No.	Inner link connector dimensions (in mm)						
	f max.	b min.	c max.	d ₁ D 10	e min.	r ₁ max.	r ₂ max.
F 12 – 44	15.9	3.5	3.0	4.5	7.3	6.5	1.7
F 12 – 66	22.9	3.5	3.0	4.5	7.3	6.5	1.7
F 15 – 44	14.9	3.5	3.0	5.1	8.5	8.0	1.7
F 15 – 66	21.9	3.5	3.0	5.1	8.5	8.0	1.7
F 19 – 44	17.5	4.1	3.6	5.75	10.0	9.5	1.7
F 19 – 66	24.6	4.1	3.6	5.75	10.0	9.5	1.7
F 25 – 44	27.9	6.7	6.2	8.3	13.5	13.0	3.0
F 25 – 66	40.9	6.7	6.2	8.3	13.5	13.0	3.0
F 25 – 88	53.9	6.7	6.2	8.3	13.5	13.0	3.0
F 31 – 44	32.9	7.5	7.0	10.2	17.0	16.5	3.5
F 31 – 66	46.9	7.5	7.0	10.2	17.0	16.5	3.5
F 31 – 88	61.9	7.5	7.0	10.2	17.0	16.5	3.5
F 38 – 44	48.0	11.0	10.0	14.7	22.0	20.0	5.0
F 38 – 66	69.0	11.0	10.0	14.7	22.0	20.0	5.0
F 38 – 88	90.9	11.0	10.0	14.7	22.0	20.0	5.0
F 44 – 22	29.5	13.0	12.0	16.0	25.0	24.0	6.0
F 44 – 44	54.8	13.0	12.0	16.0	25.0	24.0	6.0
F 44 – 66	80.0	13.0	12.0	16.0	25.0	24.0	6.0
F 44 – 88	105.8	13.0	12.0	16.0	25.0	24.0	6.0
F 50 – 22	34.2	13.6	12.6	17.9	28.0	27.0	6.0
F 50 – 44	59.7	13.6	12.6	17.9	28.0	27.0	6.0
F 50 – 66	86.2	13.6	12.6	17.9	28.0	27.0	6.0
F 50 – 88	113.7	13.6	12.6	17.9	28.0	27.0	6.0
F 63 – 22	39.6	17.0	16.0	23.0	35.0	35.0	8.0
F 63 – 44	73.0	17.0	16.0	23.0	35.0	35.0	8.0
F 63 – 66	106.3	17.0	16.0	23.0	35.0	35.0	8.0
F 63 – 88	139.8	17.0	16.0	23.0	35.0	35.0	8.0
F 76 – 44	91.2	21.0	20.0	29.3	45.0	40.0	10.0
F 76 – 66	133.2	21.0	20.0	29.3	45.0	40.0	10.0
F 76 – 88	173.9	21.0	20.0	29.3	45.0	40.0	10.0
F 19 V – 44	22.9	5.2	4.7	6.6	10.0	10.5	2.0
F 19 V – 66	32.9	5.2	4.7	6.6	10.0	10.5	2.0

For more information visit our website www.rexnord.eu

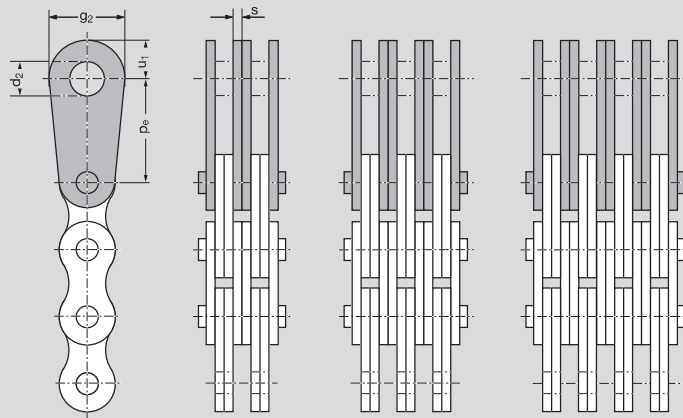
Fastening of leaf chains

End plates as inner links



Scope of delivery:
End plate (pear-shaped) as well as leaf chain outer link supplied as complete sub-assembly for riveting.

End plates as outer links



Scope of delivery:
End plate (pear-shaped) as well as corresponding rivet pin for riveting.

Chain Order No.	End plates		Dimensions (in mm)				
	IEG	AEG	Pe	d ₂ A11	g ₂	s	u ₁
F 12 - 44	170 - 112 - 44	45	15	6	16.0	1.7	10.0
F 12 - 66	170 - 112 - 66	65					
F 15 - 44	170 - 115 - 44	45	20	8	18.0	1.5	11.0
F 15 - 66	170 - 115 - 66	65					
F 25 - 44	170 - 124 - 44	45	30	12	25.0	3.0	15.0
F 25 - 66	170 - 124 - 66	65					
F 25 - 88	170 - 124 - 88	85					
F 31 - 44	170 - 131 - 44	45	50	18	40.0	3.5	25.0
F 31 - 66	170 - 131 - 66	65					
F 31 - 88	170 - 131 - 88	85					
F 38 - 44	170 - 138 - 44	45	65	24	50.0	5.0	29.0
F 38 - 66	170 - 138 - 66	65					
F 38 - 88	170 - 138 - 88	85					
F 44 - 22	170 - 144 - 22	25	80	28	60.0	6.0	32.0
F 44 - 44	170 - 144 - 44	45					
F 44 - 66	170 - 144 - 66	65					
F 50 - 22	170 - 150 - 22	25	90	32	70.0	6.3	43.0
F 50 - 88	170 - 150 - 88	85					
F 63 - 44	170 - 163 - 44	45	100	38	80.0	8.0	46.5
F 63 - 66	170 - 163 - 66	65					
AL 644	170 - 118 - 44	45	25	10	19.8	2.4	11.2
AL 666	170 - 118 - 66	65					
AL 688	170 - 118 - 88	85					
AL 1044	170 - 130 - 44	45	40	14	30.0	4.0	18.0
AL 1066	170 - 130 - 66	65					
F 19 V 44	170 - 120 - 44	45	25	10	19.8	2.35	11.2
F 19 V 66	170 - 120 - 66	65					

End plates are available as inner and outer links.

Example for ordering end plates for leaf chain F 38-44:

a) as IEG (inner Link): 170-138-44

b) as AEG (outer link): 170-138-45