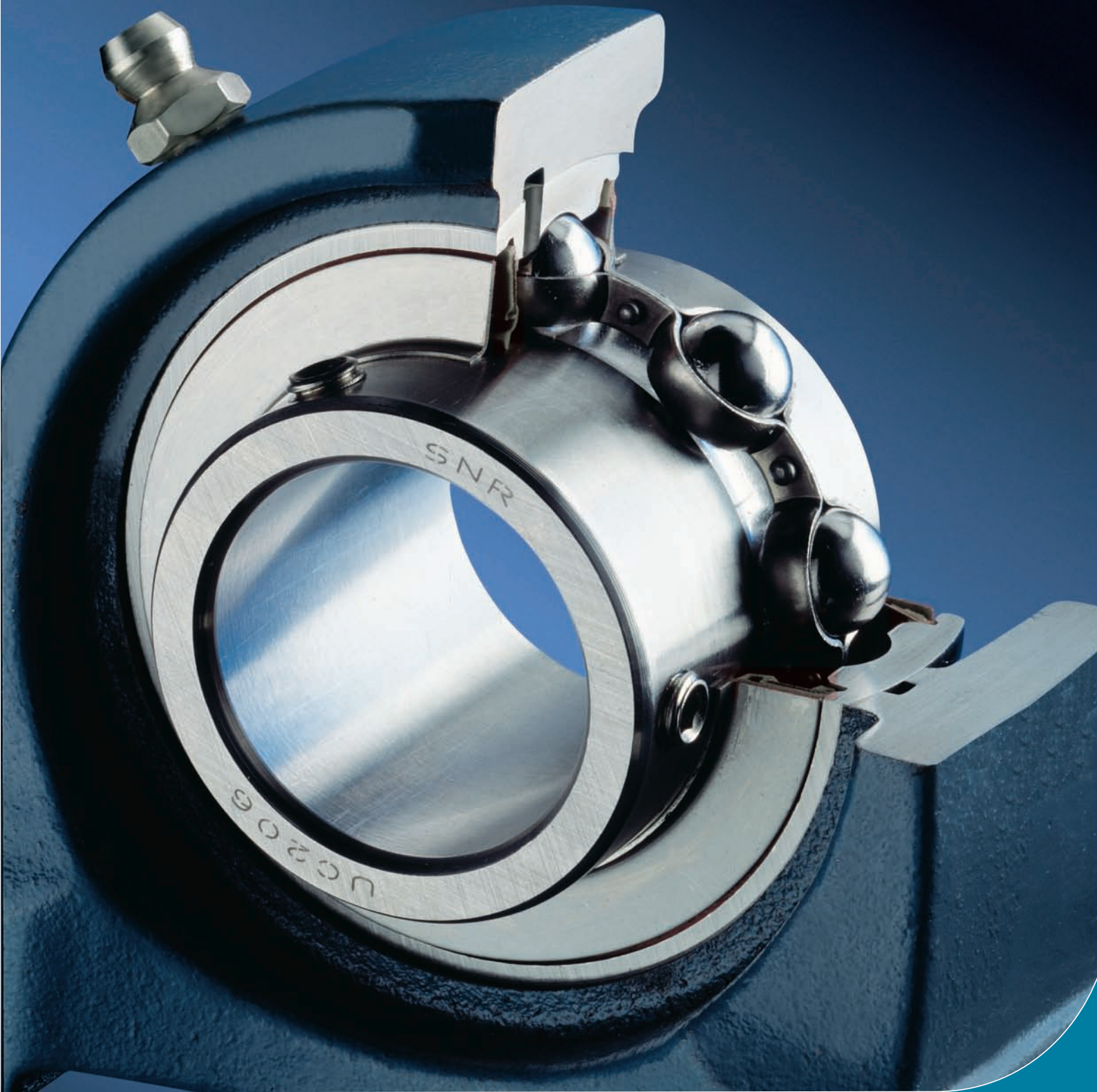


SNR ball bearing units with cast iron or pressed steel housings





SNR ball bearing units - more than just conventional

More than just conventional - not only words for us! Since more than 35 years SNR is a leading manufacturer of ball bearing units and thus has a large pool of experience in various applications for machine and plant construction.

Besides an extensive conventional standard range SNR developed a variety of special custom-built solutions.

That means different surface treatments, as e.g. special painting, zinc or nickel coating, various fixing or sealing systems for the bearing inserts, particular dimensions or housing design - just more than only conventional

In this catalogue you will find the SNR standard range for ball bearing units with cast iron and pressed steel housings.

Housings are made of grey cast iron or sheet steel. The surface of the grey cast iron housings is passivated and painted for protection against corrosion. Pressed steel housings are zinc-plated.

SNR bearing inserts are equipped with forged rings. This forming technology is favourable for bearing life.

The inserts are deep groove ball bearings with spherical outer rings that can compensate misalignment and flexion of shafts to a certain extent. Fixing to the shaft is by means of set screws, eccentric locking collar or adapter sleeve. SNR gives in addition the option for mounting in floating position.

For surroundings with strong contamination bearing inserts with triple lip seal L3 are available.

In addition there is an option to provide grey cast iron housing units with open or closed protective caps made of stainless steel.

The SNR standard range also includes bearing units for high and low temperature.

In case the capacity of the series 200 is not sufficient, the engineer can select different bearing units of the series 300. Here various shaft fixing options are available, too.

In cases, where the customer can't find an appropriate bearing for his application in this catalogue or the catalogues "SNR bearing units of stainless steel" or "SNR bearing units with thermoplastic housings" there still is the option to design a custom-built solution together with SNR.

In those cases please contact one of our sales offices. Finally you will find:

SNR ball bearing units - more than just conventional.

Contents

Page

1. General

Foreword	2
Overview, range of units	4 - 5
Designation scheme	6
Prefixes and suffixes	7
Housing designs	8 - 9

2. SNR Ball Bearing Units

Grey cast iron ball bearing units	
Design	10
Materials/Surfaces	11
Load capacity	12 - 13
Pressed steel housings	
Design	14
Materials/Surfaces	15
Load capacity	15
Bearing inserts	
Design	16 - 17
Materials	18
Options for shaft fixing	19 - 21
Tightening torques	22
Seals	23
Operating temperature	24
Bearing clearance	24
Axial load capacity of bearing inserts	25
Load ratings and speed limits	25
Life calculation	26 - 28
Protective caps	
Designs	29
Materials	29
Fixing on the housing	29
Assembly	30
Seals	30
Units	
Designs	31
Assembly	31 - 33
Lubrication and maintenance	34

3. Dimension tables

Ball bearing units	36 - 159
Bearing inserts	160 - 183

4. Tolerances and Fixing of housings

Tolerances for grey cast iron housings	184 - 189
Tolerances for pressed steel housings	190 - 191
Fixing of housings	192
Tolerances of bearing inserts	193 - 195

5. Custom-built bearing units

Custom-built bearing units	196
----------------------------	-----


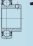



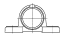
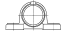




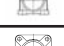
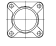












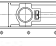




6. Tables

Conversion table inch – mm	197
Conversion table mm – inch	198












Overview, range of units


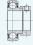





Grey cast iron units, series 200

	Inserts Page	UC200  160	Page	US200  161	Page	ES200  162	Page	EX200  163	Page	UK200+H  164	Page	Protective caps	Page	
Housings														
Pillow block units	PE		UCPE	36	USPE	36	ESPE	36	EXPE	36	UKPE+H	36	CO/CC	36
	PLE		UCPLE	40	USPLE	40	ESPLE	40	EXPLE	40	UKPLE	40	CO/CC	40
	P		UCP	44	USP	44	ESP	44	EXP	44	UKP+H	44	CO/CC	44
	PH		UCPH	52	USPH	52	ESPH	52	EXPH	52	UKPH+H	52	CO/CC	52
	PAE		UCPAE	56	USPAE	56	ESPAE	56	EXPAE	56	UKPAE+H	56	CO/CC	56
	PG		UCPG	60	USPG	60	ESPG	60	EXPG	60	UKPG+H	60	CO/CC	60
	PA		UCPA	64	USPA	64	ESPA	64	EXPA	64	UKPA+H	64		
Flanged units	FE		UCFE	68	USFE	68	ESFE	68	EXFE	68	UKFE+H	68	CO/CC	68
	F		UCF	72	USF	72	ESF	72	EXF	72	UKF+H	72	CO/CC	72
	FCE		UCFCE	80	USFCE	80	ESFCE	80	EXFCE	80	UKFCE+H	80		
	FC		UCFC	84	USFC	84	ESFC	84	EXFC	84	UKFC+H	84	CO/CC	84
	FEE				USFEE	88	ESFEE	88						
	FTE				USFTE	94	ESFTE	94						
	FLE		UCFLE	96	USFLE	96	ESFLE	96	EXFLE	96	UKFLE+H	96	CO/CC	96
	FL		UCFL	100	USFL	100	ESFL	100	EXFL	100	UKFL+H	100	CO/CC	100
	FLZ		UCFLZ	108	USFLZ	108	ESFLZ	108	EXFLZ	108	UKFLZ+H	108		
	FD				USFD	112	ESFD	112						
	FAE				USFAE	114	ESFAE	114						
	FA		UCFA	116	USFA	116	ESFA	116	EXFA	116	UKFA+H	116	CO/CC	116
Take-up-, cartridge- and hanger units	T		UCT	120	UST	120	EST	120	EXT	120	UKT+H	120	CO/CC	120
	T+WB		UCT+WB	128	UST+WB	128	EST+WB	128	EXT+WB	128	UKT+H+WB	128	CO/CC	128
	SP		UCSP	132	USSP	132	ESSP	132	EXSP	132	UKSP+H	132	CO/CC	132
	SPR		1 - 24	136										
	C		UCC	138	USC	138	ESC	138	EXC	138	UKC+H	138		
	EHE		UCEHE	146	USEHE	146	ESEHE	146	EXEHE	146	UKEHE+H	146		

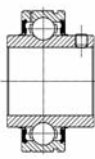
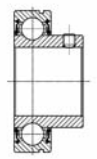
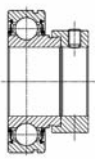
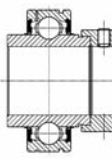
Grey cast iron units, series 300

	Inserts		UC300		EX300		UK300+H	
	Page		Page		Page		Page	
Pillow block units	Housings							
	P		UCP	44	EXP	44	UKP+H	44
Flanged units	F		UCF	72	EXF	72	UKF+H	72
	FS		UCFS	90	EXFS	90	UKFS+H	90
	FL		UCFL	100	EXFL	100	UKFL+H	100
Take-up- and cartridge units	T		UCT	120	EXT	120	UKFL+H	120
	C		UCC	138	EXC	138	UKC+H	138

Pressed steel units, series 200

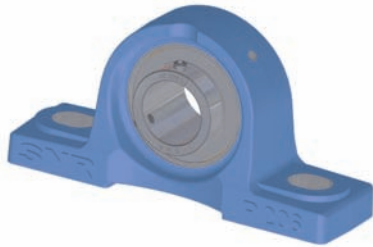
	Inserts		US200		ES200	
	Page		Page		Page	
Pillow block units	Housings					
	PP		USPP	150	ESPP	150
Flanged units	PF		USPF	152	ESPF	152
	PFL		USPFL	154	ESPFL	154
	PFT		USPFT	156	ESPFT	156
	PFE		USPFE	158	ESPFE	158

Bearing inserts with cylindrical outer ring

Bearing Inserts	CUC200	Page	CUS200	Page	CES200	Page	CEX200	Page
		168		169		170		171



Designation scheme



Ball bearing units

SNR ball bearing units are defined by the insert, housing type, and shaft diameter.

The insert is described first for SNR ball bearing unit designations (e.g., "UC").

UCP205

Next is the specification of the housing type (e.g., "P").

UCP205

The first digit describes the diameter series (200 or 300)

UCP205

Finally, the code gives the necessary information about the shaft diameter (e.g., "205" = 25 mm shaft diameter).

UCP205

Further technical characteristics are described by suffixes (see page 7).

Detailed information about the different housing designs can be found on page 8 and 9 of this catalogue.

Example

Pillow block units

UCP205CC (one closed and one open protective cap)
UCP205CO (two open protective caps)

Flanged units

UCF205CC (one closed protective cap)
UCF205CO (one open protective cap)



Bearing inserts

The various inserts of SNR ball bearing units are determined by the initial letters (e.g., "UC")

UC205

Detailed information about the different designs can be found on page 16 and 17.

The first digit describes the diameter series (200 or 300)

UC205

The last two digits define the bore. The digits are 1/5 of the bore diameter (e.g., "04" = 20 mm, "06" = 30 mm). An exception to this are the smaller bore diameters of 12 to 17 mm.

UC205

Bore code	Shaft diameter
01	12 mm
02	15 mm
03	17 mm
04	20 mm
05	25 mm
06	30 mm
:	:
10	50 mm

inch dimension series

The last two digits are a code for the bore diameter in inches. Exact specifications for diameter can be found in the dimension tables for bearing inserts starting on page 160.

UC205-16



















Prefixes and suffixes

Prefixes and suffixes	Description
C3	Radial internal clearance larger than normal
C4	Radial internal clearance larger than C3
CC	Closed protective cap made of stainless steel
CO	Open protective cap made of stainless steel with double lip seal
G2	SNR relubrication system
H	Adapter sleeve for bearing inserts with tapered bore
L3	Triple lip seal
M	Metric tapped bore
N	Groove in housing for fixing protective caps
PN	Nickel-plated housing surface
PZ	Zinc-plated housing surface
S	Material stainless steel (Prefix)
T04	Bearing inserts for operating temperatures down to $-40\text{ }^{\circ}\text{C}$
T20	Bearing inserts for operating temperatures up to $+200\text{ }^{\circ}\text{C}$

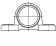












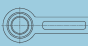
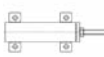





Designation scheme

Housing designs

Design		Description	Dimension lists starting on page
C200		Cylindrical cartridge housing made of grey cast iron, relubricatable	138
C300		Cylindrical cartridge housing made of grey cast iron, relubricatable	138
EHE200		Hanger housing made of grey cast iron with metric fixing threads, relubricatable	146
F200		Square flanged housing made of grey cast iron with 4 fixing holes, relubricatable	72
F300		Square flanged housing made of grey cast iron with 4 fixing holes, relubricatable	72
FA200		Oval flanged housing made of grey cast iron with 1 fixing hole and 1 slot, relubricatable	116
FAE200		Oval flanged housing made of grey cast iron with 1 fixing hole and 1 slot, relubricatable	114
FC200		Round flanged housing made of grey cast iron with centring rim and 4 fixing holes, relubricatable	84
FCE200		Round flanged housing made of grey cast iron with centring rim and 4 fixing holes, relubricatable	80
FD200		Flat oval flanged housing made of grey cast iron with 2 fixing or tapped bores, relubricatable	112
FE200		Square flanged housing made of grey cast iron with 4 fixing holes, relubricatable	68
FEE200		Round flanged housing made of grey cast iron with centring rim and 4 fixing holes, relubricatable	88
FL200		Oval flanged housing made of grey cast iron with 2 fixing holes, relubricatable	100
FL300		Oval flanged housing made of grey cast iron with 2 fixing holes, relubricatable	100
FLE200		Oval flanged housing made of grey cast iron with 2 fixing holes, relubricatable	96
FLZ200		Oval flanged housing made of grey cast iron with centring rim and 2 fixing holes, relubricatable	108
FS300		Square flanged housing made of grey cast iron with centring rim and 4 fixing holes, relubricatable	90
FTE200		Triangular flanged housing made of grey cast iron with 3 fixing holes, relubricatable	94

Housing designs

Design		Description	Dimension lists starting on page
P200		Pillow block housing made of grey cast iron with 2 slotted holes for fixing, relubricatable	44
P300		Pillow block housing made of grey cast iron with 2 slotted holes for fixing, relubricatable	44
PA200		Pillow block housing made of grey cast iron with 2 tapped bores for fixing from below, relubricatable	64
PAE200		Pillow block housing made of grey cast iron with 2 tapped bores for fixing from below, relubricatable	56
PE200		Pillow block housing made of grey cast iron with 2 slotted holes for fixing, relubricatable	36
PF200		Round flanged housing made of steel plate with 3 or 4 fixing holes, not relubricatable	152
PFE200		Rectangular Take-up housing made of sheet steel with 4 slots for fixing, not relubricatable	158
PFL200		Oval flanged housing made of sheet steel with 2 fixing holes, not relubricatable	154
PFT200		Triangular flanged housing made of steel steel with 3 fixing holes, not relubricatable	156
PG200		Pillow block housing made of grey cast iron with 2 tapped bores for fixing from below, relubricatable	60
PH200		Pillow block housing made of grey cast iron for raised shaft center with 2 slotted holes for fixing, relubricatable	52
PLE200		Pillow block housing made of grey cast iron with 2 slotted holes for fixing, relubricatable	40
PP200		Pillow block housing made of sheet steel with 2 fixing holes, not relubricatable	150
SP200		Conveyor belt tensioner housing made of grey cast iron, relubricatable	132
SPR		Frame for Conveyor belt tensioner housing made of steel	136
T200		Take-up housing made of grey cast iron with taking up for threaded rod and nut, guide groove on both sides, relubricatable	120
T300		Take-up housing made of grey cast iron with taking up for threaded rod and nut, guide groove on both sides, relubricatable	120
WB200		Stretcher frame for T200 take-up housing made of steel	128



Grey cast iron ball bearing units

The advantages of SNR grey cast iron ball bearing units



- Corrosion protection by passivated and painted surfaces
- Relubricatable
- Self-aligning
- Series 300 in addition for heavy loads
- Comprehensive standard range of units

SNR bearing units are available as pillow block-, flanged-, take-up-, cartridge or hanger unit. These offer varying options for fixing, such as through bores or tapped bores. All SNR grey cast iron bearing units have tapped bores for the mounting of lubricating nipples.

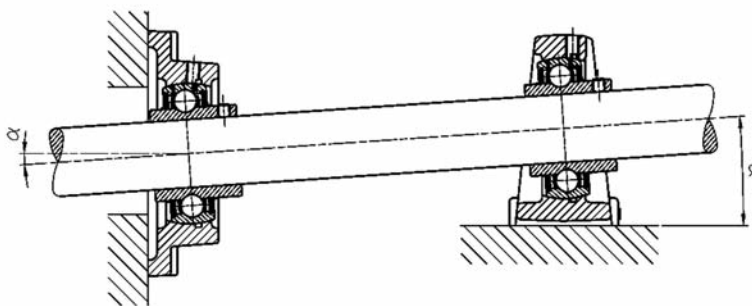
Design

Delivery condition

SNR grey cast iron bearing units are supplied pre-assembled. The fitted insert is lubricated for life (for further information, refer to the section “Lubrication and maintenance” starting on page 34). The tapped bore for mounting of the lubricating nipple is closed with a plastic plug. The appropriate lubricating nipple is separately attached to the unit.

Misalignment

SNR grey cast iron bearing units are self-aligning, due to their spherically-designed bearing seat. The mounted insert allows an angular movement in all directions. That is why shaft misalignment is compensated up to a certain degree. This self-alignment should only be necessary once, and must not occur permanently in operation.



if bearing unit should be relubricated

$$\alpha = \pm 2^\circ$$

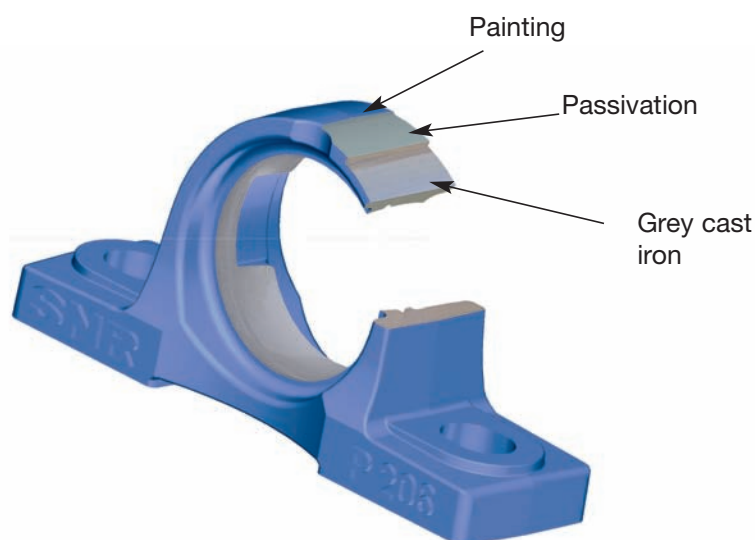
if bearing unit should not be relubricated

$$\alpha = \pm 5^\circ$$

bearing units with protective caps

$$\alpha = \pm 1^\circ$$

Materials/Surfaces



Material

SNR cast iron housings, depending on type, are made of quality grey cast iron GG20 or GG25.

Surfaces

SNR cast iron housings are passivated and then painted in RAL 5010.

Painting in another colour is available on request. There is also the option to get SNR housings zinc or nickel plated.

Would you prefer a custom-built housing?
Does your application require other materials such as nodular graphite iron or cast steel?
Should your housing be zinc or nickel plated or do you need your housing in another colour?

Contact us, we have a lot of experience in special custom-built solutions. Flexible production also allows for manufacturing small quantities.

You will be convinced by our short term of delivery times.

SNR ball bearing units – more than just conventional!



Grey cast iron ball bearing units

Load capacity

SNR housings permit the complete utilization of the bearing insert load rating. The specified radial dynamic load rating of the inserts can be presumed as the maximum radial load capacity of the unit.

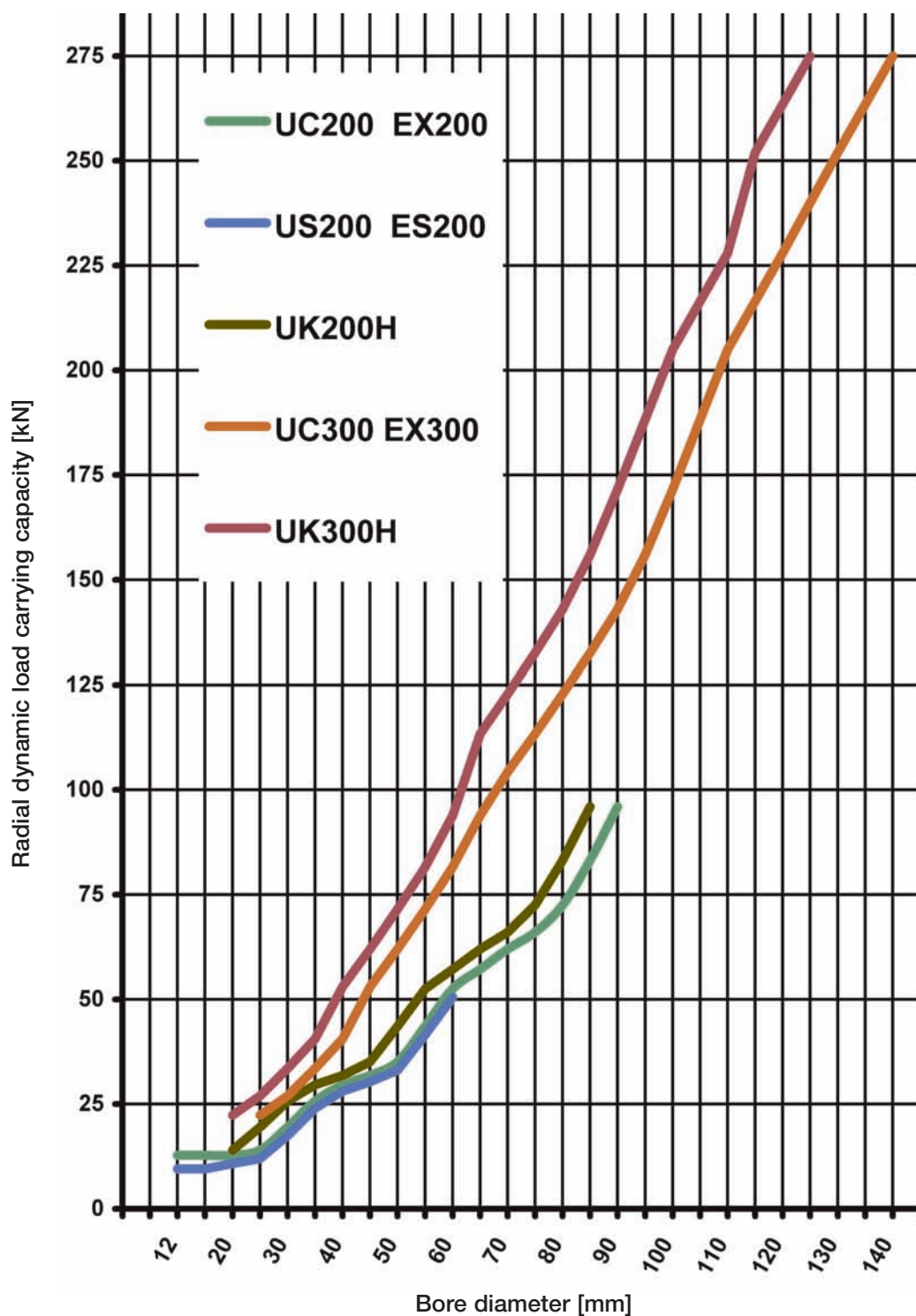
For the housings of the T200 and T300 series the radial dynamic load rating must be multiplied by a factor of 0.3.

The maximum axial load capacity of the inserts is $0.5 \times C_{0r}$ (radial static load rating).

The following safety factors must be taken into consideration for various types of stress:

Type of stress	Safety factor
Constant load	1
Dynamic load	1 – 1.5
Moderate shock load	2
High shock load	> 3

Radial dynamic load ratings (C_r) for inserts of the series UC200 / UC300 / US200 / ES200 EX200 / EX300 / UK200 / UK300



SNR Ball Bearing Units



Pressed steel ball bearing units

Design



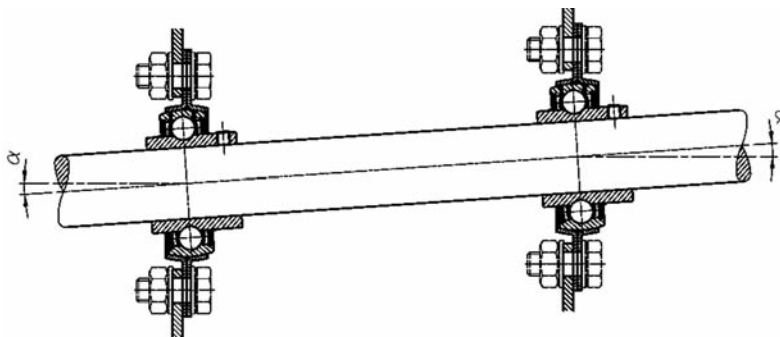
SNR pressed steel ball bearing units are available as pillow block-, flanged- or take-up units. The housings are provided with bores for assembly. Pressed steel ball bearing units are not relubricatable.

Delivery condition

SNR pressed steel housings are supplied pre-assembled. The bearing inserts are lubricated for life. They are attached to the housings.

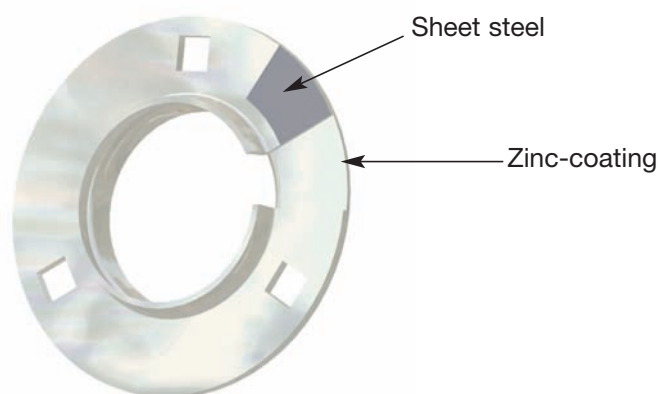
Misalignment

SNR pressed steel ball bearing units are self-aligning due to their spherically designed bearing seat. The built-in inserts can be moved in all directions. Shaft misalignment is compensated up to 6 degrees.



Pressed steel bearing units
 $\alpha = \pm 5^\circ$

Materials / Surfaces



Material

SNR pressed steel ball bearing units are made of cold rolled sheet steel.

Surfaces

SNR pressed steel ball bearing units are zinc-plated.

Load capacity

Maximum load capacity of the housing in radial direction:

Flanged unit: $C_r \times 0.25$
Pillow block unit: $C_r \times 0.10$

Maximum load capacity of the housing in axial direction:

Flanged unit: $C_r \times 0.10$
Pillow block unit: $C_r \times 0.10$

C_r = radial dynamic load rating of the bearing insert used.

SNR Ball Bearing Units

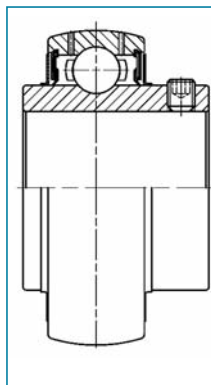


Bearing Inserts

Designs

The internal design of bearing inserts correspond to the standard deep groove ball bearings of the 6200 and 6300 series. However, they have expanded inner rings for easier fixing on shafts or conical bores for assembly with adapter sleeves.

All bearing inserts are sealed on both sides and are available both with cylindrical as well as with spherical outer rings.

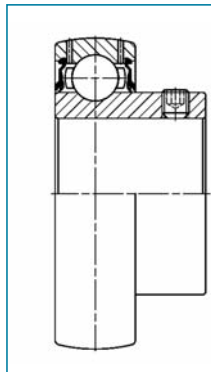
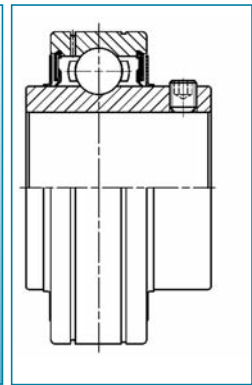


UC200/UC300 series (spherical outer ring)

- relubricatable
- extended inner ring on both sides
- fixing to shaft using set screws
- optional design as floating bearing
- seals on both sides with additional slingers
- also available with triple seals

CUC200 series (cylindrical outer ring)

- slot in outer ring for fixing in housing by retaining snap ring
- groove in outer ring with lubrication holes
- otherwise, design like UC200

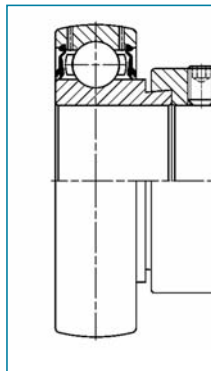
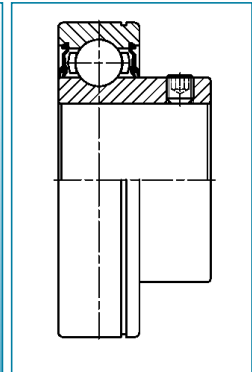


US200 series (spherical outer ring)

- relubricatable
- extended inner ring on one side
- fixing to shaft using set screws
- optional design as floating bearing
- seals on both sides

CUS200 series (cylindrical outer ring)

- not relubricatable
- groove in the outer ring for fixing in housing using retaining snap ring
- otherwise, design like US200

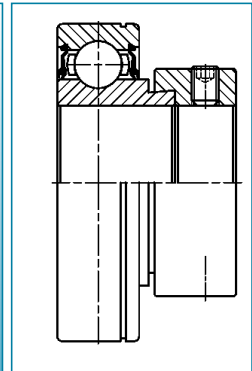


ES200 series (spherical outer ring)

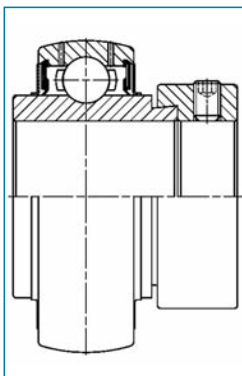
- relubricatable
- extended inner ring on one side
- fixing to shaft using eccentric locking collar
- seals on both sides

CES200 series (cylindrical outer ring)

- not relubricatable
- groove in outer ring for fixing in housing by retaining snap ring
- otherwise, design like ES200



Designs

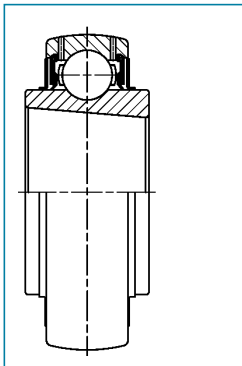
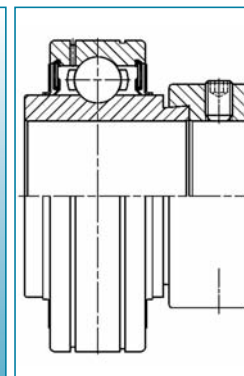


EX200/EX300 series (spherical outer ring)

- relubricatable
- extended inner ring on both sides
- fixing to shaft using eccentric locking collar
- seals on both sides with additional slingers
- also available with triple seals

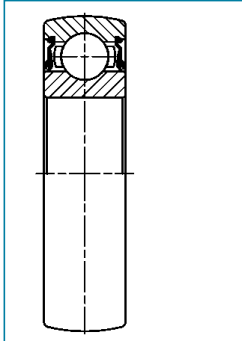
CEX200 series (cylindrical outer ring)

- groove in outer ring with lubrication holes
- otherwise, design like EX200



UK200/UK300 series (spherical outer ring)

- relubricatable
- inner ring with tapered bore for mounting of adapter sleeve
- fixing to shaft using adapter sleeve
- seals on both sides with additional slingers
- also available with triple seals



6200SEE series (spherical outer ring)

- not relubricatable
- dimensions and tolerances like deep groove ball bearings of 6200 series
- fixing to shaft using fit adjustment
- seals on both sides

Delivery conditions

SNR ball bearing inserts are supplied ready for use. The inserts are already lubricated for life with a suitable bearing grease. Under normal operating conditions, it is not necessary to relubricate them. The necessary components for fixing the inserts on the shaft are included in the scope of delivery.

SNR ball bearing inserts are either mounted into the respective housing or are supplied separately as bearing insert.

SNR Ball Bearing Units



Bearing Inserts

Materials

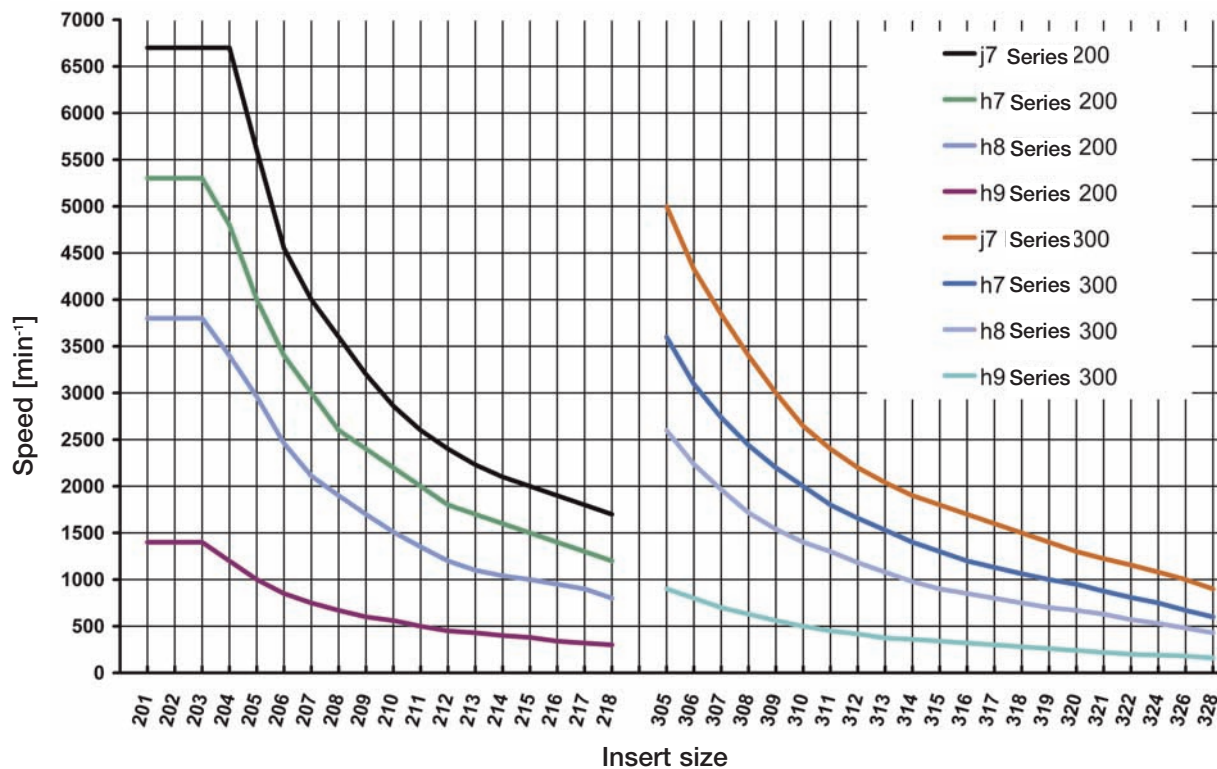
Inner and outer rings as well as the balls of the SNR ball bearing inserts are made of hardened 100 Cr6 bearing steel.

Inserts are generally supplied with riveted two-piece steel plate cages.

The seals are made of nitrile rubber and zinc-plated sheet metal.

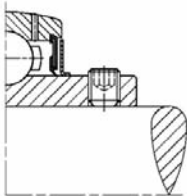
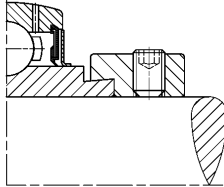
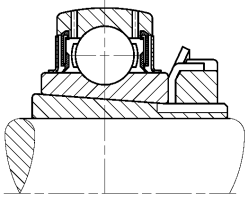
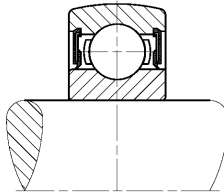
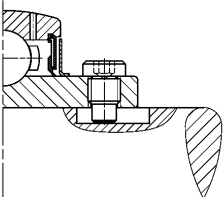
Fixing to the shaft

One advantage of the SNR ball bearing units are the minimum demands that this type of bearing arrangement makes on the shaft. It must neither be hardened nor ground and the surface quality too has few requirements. We recommend shaft materials having tensile strength of at least 500 N/mm^2 . The maximal admissible speed is depending not only on the bearing geometry but also on the tolerance of the shaft diameter, as can be seen in the following diagram.



For most applications, threaded pins provide a sufficiently secure fixing of the inner ring to the shaft. For eccentric locking collars, it is recommended to use shafts manufactured according to **h6-h9** for the bearing seats. If tapered adapter sleeves are used, the shaft tolerance **h9** to **h11** is sufficient. If severe operating conditions are encountered, such as vibrations or shocks, a slight interference fit is preferred.

Options for shaft fixing

Fixing	Features	Application	
hexagon socket set screw	<ul style="list-style-type: none"> • 2 set screws displaced by 120° with hexagon socket and knurled cup point 	<ul style="list-style-type: none"> • normal loads • low to medium speeds • easy to disassemble 	
Eccentric locking collar	<ul style="list-style-type: none"> • Fixing using an eccentric locking collar and hexagon socket set screw 	<ul style="list-style-type: none"> • normal loads with consistent direction of rotation • not suitable for reversing operation • low to medium speeds 	
Adapter sleeve	<ul style="list-style-type: none"> • Tapered adapter sleeve with lock washer and groove nut • Concentric shaft fixing 	<ul style="list-style-type: none"> • higher speeds • suitable for reversing operation • particularly smooth running 	
Fit adjustment	<ul style="list-style-type: none"> • Fixing using shaft fit adjustment 	<ul style="list-style-type: none"> • medium to high speeds • normal to high loads • little structural space 	
Floating bearing screw	<ul style="list-style-type: none"> • Stud bolt in shaft slot, can be moved in the axial direction 	<ul style="list-style-type: none"> • low speeds and loads • large degree of linear expansion (e.g., due to variable temperatures) 	

Exact specifications for the individual fixing options can be found on the following pages.

SNR Ball Bearing Units



Bearing inserts

Set screws for bearing inserts

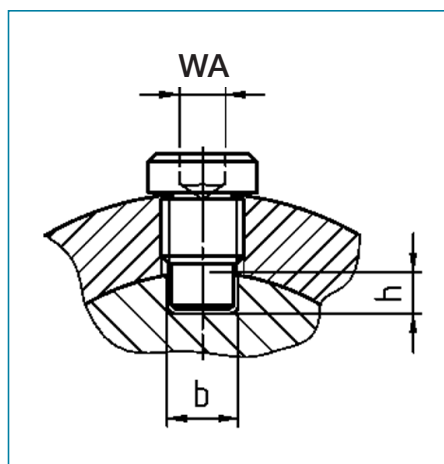
Metric

Set screw	Bearing insert						Max. tightening torque [Nm]	Hexagon socket WA
	UC CUC	US CUS	ES CES	EX CEX				
M5 x 0.8			201-203				3.5	2.5
M6 x 1	201-206	305-306	204-207	201-206	201-206		5.5	3.0
M8 x 1	207-209	307	208-210	207-210	207-210	305-307	11.5	4.0
M10 x 1.25	210-212	308-309	211-212	211-212	211-215	308-312	22.0	5.0
M12 x 1.25	213-218	310-314			216-218	313-314	33.0	6.0
M14 x 1.5		315-316					42.0	7.0
M16 x 1.5		317-319				315-317	64.0	8.0
M18 x 1.5		320-324					75.0	9.0
M20 x 1.5		326-328				318-320	120.0	10.0

Inch

Set screw	Bearing insert						Max. tightening torque [Nm]	Hexagon socket WA
	UC CUC	US CUS	ES CES	EX CEX				
10# - 32 UNF			201-08 203-11				3.2	3/32
1/4 - 28 UNF	201-08 206-20	305-14 306-19	204-12 206-20	201-08 205-16	201-08 205-16		3.7	1/8
5/16 -24 UNF	207-22 209-28	307-20 307-23	207-22 211-35	206-18 210-31	206-18 210-31	305-14 307-23	8.0	5/32
3/8 -24 UNF	210-30 213-40	308-24 309-28	212-36 212-39	211-32 212-39	211-32 215-48	308-24 312-39	16.8	3/16
7/16 -20 UNF	214-44 217-52	310-30 314-44			217-52 218-56	313-40 314-44	27.1	7/32
1/2 -20 UNF		315-47 218-56 315-48					33.9	1/4
5/8 -18 UNF		317-52 320-64				315-48 317-52	54.5	5/16
3/4 -16 UNF						318-56 320-64	65.2	3/8

Dimensions, floating bearing screws



Dimensions of the shaft slot.

Designation floating bearing screw	Thread	WA
SH 06 x 075	M6x1	3
SH 06 x 090	M6x1	3
SH 06 x 100	M6x1	3
SH 06 x 110	M6x1	3
SH 08 x 105	M8x1	4
SH 08 x 115	M8x1	4
SH 10 x 110	M10x1.25	5
SH 10 x 125	M10x1.25	5
SH 10 x 135	M10x1.25	5
SH 12 x 145	M12x1.25	6
SH 12 x 155	M12x1.25	6
SH 12 x 175	M12x1.25	6
SH 14 x 200	M14x1.5	6
SH 16 x 215	M16x1.5	8
SH 16 x 235	M16x1.5	8
SH 18 x 250	M18x1.5	8
SH 18 x 300	M18x1.5	8
SH 20 x 330	M20x1.5	10

Fitting dimensions for floating bearing screws, 200 series

Designation	Fitting dimensions [mm]	Fitting dimensions	
		h	w
Bearing insert	Screw		
UC 201	SH 06 x 110	3.0	4
UC 202	SH 06 x 110	4.5	4
UC 203	SH 06 x 090	3.5	4
UC 204	SH 06 x 075	3.5	4
UC 205	SH 06 x 075	3.5	4
UC 206	SH 06 x 090	4.5	4
UC 207	SH 08 x 105	4.5	6
UC 208	SH 08 x 105	4.5	6
UC 209	SH 08 x 105	5.0	6
UC 210	SH 10 x 110	5.5	7
UC 211	SH 10 x 125	6.0	7
UC 212	SH 10 x 135	6.5	7
UC 213	SH 12 x 125	6.5	7
UC 214	SH 12 x 145	6.5	9
UC 215	SH 12 x 145	6.5	9
UC 216	SH 12 x 155	7.5	9
UC 217	SH 12 x 175	8.5	9
UC 218	SH 12 x 175	7.5	9

Fitting dimensions for floating bearing screws, 300 series

Designation	Fitting dimensions [mm]	Fitting dimensions	
		h	w
Bearing insert	Screw		
UC 305	SH 06 x 090	4.5	4
UC 306	SH 06 x 110	4.5	4
UC 307	SH 08 x 115	5.0	6
UC 308	SH 10 x 125	5.0	7
UC 309	SH 10 x 135	5.5	7
UC 310	SH 12 x 145	5.5	9
UC 311	SH 12 x 155	6.0	9
UC 312	SH 12 x 155	5.5	9
UC 313	SH 12 x 175	6.5	9
UC 314	SH 12 x 175	6.0	9
UC 315	SH 14 x 200	7.5	10
UC 316	SH 14 x 200	6.5	10
UC 317	SH 16 x 215	7.5	12
UC 318	SH 16 x 235	9.0	12
UC 319	SH 16 x 235	8.0	12
UC 320	SH 18 x 250	8.0	13
UC 321	SH 18 x 250	7.5	13
UC 322	SH 18 x 300	11.5	13
UC 324	SH 18 x 300	9.0	13
UC 326	SH 20 x 330	10.0	15
UC 328	SH 20 x 330	8.5	15



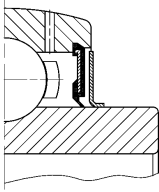
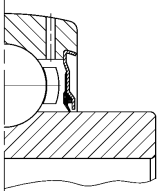
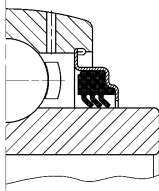
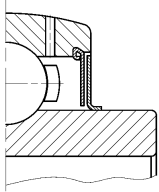
SNR Ball Bearing Units

Tightening torques for groove nuts with adapter sleeve fixing

Bearing insert		Tightening torque [Nm]	Hook spanner DIN 1810 A size
UK 205	UK 305	20	38-45
UK 206	UK 306	30	45-50
UK 207	UK 307	40	52-55
UK 208	UK 308	50	58-62
UK 209	UK 309	60	65-70
UK 210	UK 310	70	65-70
UK 211	UK 311	95	68-75
UK 212	UK 312	125	80-90
UK 213	UK 313	150	85-92
UK 215	UK 315	350	98-105
UK 216	UK 316	400	98-105
UK 217	UK 317	450	110-115
UK 218	UK 318	550	120-130
	UK 319	650	120-130
	UK 320	800	120-130
	UK 322	1050	135-145
	UK 324	1350	155-165
	UK 326	1650	155-165
	UK 328	1900	180-195

The designation of the corresponding adapter sleeve is listed in the dimension tables.

Seals

Description	Applications	
<p>Seal with slinger</p> <p>Two-piece sealing system consisting of sheet metal washer with single lip nitrile rubber seal vulcanised on it and an additional sheet metal slinger</p>	<ul style="list-style-type: none"> • Additional mechanical protection of the seal from foreign matter • Medium to high speeds 	
<p>Single lip seal</p> <p>Seal consisting of sheet metal washer with sealing lip vulcanised on it made of nitrile rubber</p>	<ul style="list-style-type: none"> • Normal ambient conditions • Medium to high speeds 	
<p>Triple lip seal</p> <p>One-piece seal consisting of steel plate washer with triple lip seal vulcanised on it</p>	<ul style="list-style-type: none"> • Surroundings with strong contamination • Low to medium speeds 	
<p>High temperature seal</p> <p>Two-piece contactless steel plate seal</p>	<ul style="list-style-type: none"> • Temperatures up to +200 °C 	



SNR Ball Bearing Units

Operating temperature

Standard ball bearing inserts are suitable for all applications in the temperature range of $-20\text{ }^{\circ}\text{C}$ to $+100\text{ }^{\circ}\text{C}$.

SNR high temperature inserts were specially designed for applications with operating temperatures above the range mentioned previously. They have a steel plate cage like standard inserts. However, they are equipped with a high temperature grease and can be used up to $+200\text{ }^{\circ}\text{C}$. The suffix for these inserts is "T20" and is added to the bearing designation on orders, e.g., "UCP206T20".

For applications below the normal temperature range (down to $-40\text{ }^{\circ}\text{C}$), we supply bearing inserts with the designation "T04". They also have a steel plate cage but are filled with a low temperature grease. On orders, the designation is also added to the end, e.g., "UCP206T04".

For further specifications about the lubricants used, refer to the section "Lubrication and maintenance" starting on page 34.

Bearing clearance

Standard ball bearing inserts are manufactured with an increased bearing clearance of group C3.

Inserts for high or low temperature applications have C4 bearing clearance.

The bearing clearance values can be found in the following tables:

Inserts with cylindrical bore

Bore nominal size [mm]		Radial bearing clearance [μm]					
		normal		C3		C4	
above	up to	min.	max.	min.	max.	min.	max.
10	18	3	18	11	25	18	33
18	24	5	20	13	28	20	36
24	30	5	20	13	28	23	41
30	40	6	20	15	33	28	46
40	50	6	23	18	36	30	51
50	65	8	28	23	43	38	61
65	80	10	30	25	51	46	71
80	100	12	36	30	58	53	84
100	120	15	41	36	66	61	97
120	140	18	48	41	81	71	114

Inserts with tapered bore

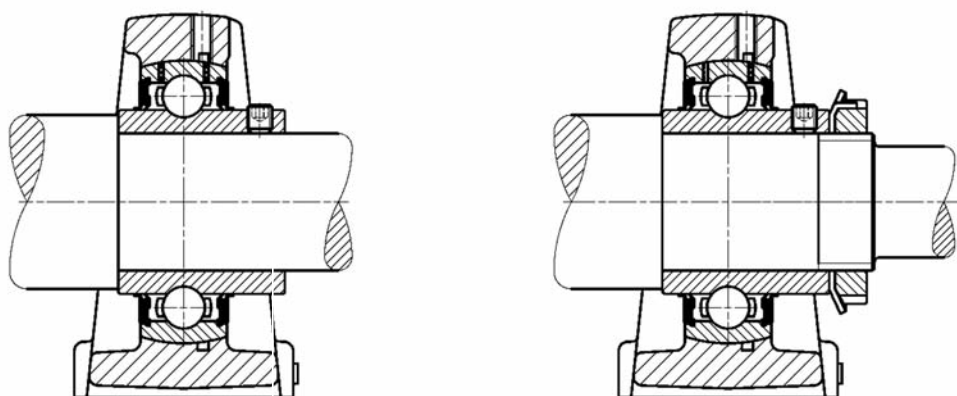
Bore nominal size [mm]		Radial bearing clearance [μm]					
		normal		C3		C4	
above	up to	min.	max.	min.	max.	min.	max.
24	30	13	28	23	41	32	50
30	40	15	33	28	46	39	60
40	50	18	36	30	51	43	68
50	65	23	43	38	61	54	84
65	80	25	51	46	71	64	99
80	100	30	58	53	84	74	114
100	120	36	66	61	97	89	134
120	140	41	81	71	114	109	159

Axial load capacity of bearing inserts

The axial load capacity of the inserts depends largely on the type of fixing on the shaft. The inner design of the raceways and balls is of little importance in most cases. A further factor is the shaft tolerance used.

In order to attain the largest possible axial load capacity for the respective type of fixing, it is necessary that the fixing element (e.g., threaded pin, adapter sleeve) is secured at the specified tightening torque.

For running conditions with strong vibrations or shock loads it is recommended to set the inner ring against a shaft shoulder and to secure with a groove nut and lock washer as necessary. In this case, the axial load carrying capacity of the inserts can be fully utilised like with standard deep groove ball bearings. This can amount to up to 0.5-times the radial static load rating C_{0r} . Such an application should be examined closely taking into consideration the respective load conditions.



Load carrying capacity and speed limits

Load carrying capacity and speed limits of the bearing inserts are specified in the dimension tables starting on page 160. The effect of shaft tolerances on speed limits is shown in the diagram on page 18.



Life calculation

Bearing life calculation

The inner design of bearing inserts for SNR ball bearing units are identical to deep groove ball bearings. They are manufactured out of the same material, have the same degree of precision, and are subject to the same strict production controls.

The calculation of bearing life and load ratings are performed using the calculation methods in accordance with ISO 281 and ISO 76.

Determining bearing sizes

Before calculating the life of bearing units, the loads occurring must be determined. The required bearing size essentially depends on the load and the speed. If the load occurs mostly while the bearing rotates, this is referred to as dynamic load. However, if the load acts mainly during stand still, at very low speeds, or with slight rotating movements, this is referred to as static load.

It is unimportant how the externally applied forces have their effect on the insert. The specification dynamic or static only refer to the operating condition of the bearing.

Dynamic equivalent load

If both radial and axial forces are applied to a bearing insert, these must be converted to an equivalent load (P) necessary for the calculation, as follows:

$$P = X \cdot F_r + Y \cdot F_a \quad [kN]$$

- P** = dynamic equivalent load [kN]
- F_r** = actual radial load [kN]
- F_a** = actual axial load [kN]
- X** = radial factor
- Y** = axial factor

$\frac{F_a}{C_{0r}}$	e	$\frac{F_a}{F_r} \leq e$		$\frac{F_a}{F_r} > e$	
		X	Y	X	Y
0.014	0.19				2.30
0.028	0.22				1.99
0.056	0.26				1.71
0.084	0.28				1.55
0.110	0.30	1	0	0.56	1.45
0.170	0.34				1.31
0.280	0.38				1.15
0.420	0.42				1.04
0.560	0.44				1.00

- e = limiting value
- C_{0r} = radial static load rating
(see dimension tables for ball bearing units)

Static equivalent load

For a simultaneously occurring radial and axial static load, an equivalent load (P_0) must be determined:

$$P_0 = X_0 \cdot F_r + Y_0 \cdot F_a \quad [\text{kN}]$$

$$\text{but: } P_0 = F_r, \quad \text{if} \quad \frac{F_a}{F_r} \leq 0.8$$

P_0 = static equivalent load [kN]

X_0 = static radial factor

Y_0 = static axial factor

For all bearing inserts, the following applies:

$$X_0 = 0.6$$

$$Y_0 = 0.5$$

Using the ratio fs it can be checked if sufficient static dimensioning for the insert has been ensured:

$$fs = \frac{C_{0r}}{P_0}$$

Some standard values are:

$fs = 0.7$ minimal demands for running smoothness and rotating movement

$fs = 1.0$ occasional rotating bearing, normal demands for running smoothness

$fs = 2.0$ high demands for running smoothness

It should be noted that this ratio does not provide any assurance against a break or similar, but instead, it is assurance against excessive local deformation in the rolling contact (ball/raceway).

Calculating bearing life

When calculating bearing life for bearing units, the following applies:

$$L_{10} = \left(\frac{Cr}{P} \right)^3 \quad [10^6 \text{ revolutions}]$$

If the bearing life should be specified in hours, the following applies:

$$L_{10h} = \left(\frac{Cr}{P} \right)^3 \cdot \frac{10^6}{60n} \quad [\text{h}]$$

n = speed [min⁻¹]



Life calculation

Example calculation

The bearing life of a UCP210 ball bearing unit under the following conditions:

Radial load:	F_r	= 2 kN
Axial load:	F_a	= 1.7 kN
Normal operating condition speed:	n	= 1800 min ⁻¹
UCP210 ball bearing unit data:	C_r	= 35.1 kN
	C_{0r}	= 23.2 kN

Dynamic equivalent bearing load:

$$P = X \cdot F_r + Y \cdot F_a \quad [\text{kN}]$$

with $\frac{F_a}{C_{0r}} = \frac{1.7 \text{ kN}}{23.2 \text{ kN}} = 0.073$ and $\frac{F_a}{F_r} = \frac{1.7 \text{ kN}}{2 \text{ kN}} = 0.85$

From Table 1:

with $F_a/C_{0r} = 0.073$, e is determined to be ≈ 0.28

with $F_a/F_r = 0.85 > e = 0.28$

→ $X=0.56$ $Y=1.55$

$$P = 0.56 \cdot 2 \text{ kN} + 1.55 \cdot 1.7 \text{ kN} = 3.76 \text{ kN}$$

$$L_{10h} = \left(\frac{C_r}{P}\right)^3 \cdot \left(\frac{10^6}{60n}\right) \quad [\text{h}]$$

it follows

$$L_{10h} = \left(\frac{35.1}{3.76}\right)^3 \cdot \left(\frac{10^6}{60 \times 1800}\right) = 7532 \text{ h}$$

The theoretical bearing life of the bearing unit, under normal operating conditions, is 7532 hours.

Protective caps

Designs

In order to obtain protection from rotating shafts, increased sealing action, or additional mechanical protection of the bearing units in harsh ambient conditions, it is possible to equip many of the SNR ball bearing units with protective caps made of stainless steel. These are available closed or open with a double lip seal for diameter lines 201 to 213.



SCC – closed protective cap for shaft ends



SCO – open protective cap with double lip seal for through shafts

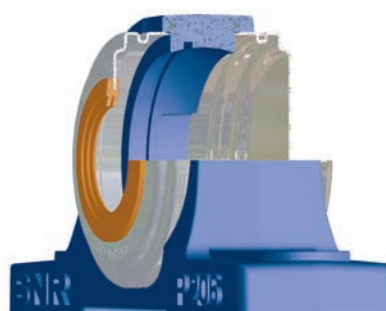
Materials

The protective caps are manufactured from stainless steel. The double lip seal is made of silicon rubber.

Fixing on the housing

There is no need for special tools to assemble the protective caps on the housing. The cap is inserted in a groove in the housing, and is sufficiently secured by the resulting press fit.

Caution: Housings with a corresponding groove must be ordered with the specific Suffix “N”, e.g.: “UCP.206.N”





Protective caps

Protective cap assembly

Protective cap assembly



Protective cap disassembly



Seals

The double lip seal of the SNR protective cap is manufactured from silicon rubber, and is suitable for operating temperatures up to a maximum of +200 °C.



Units

Designs

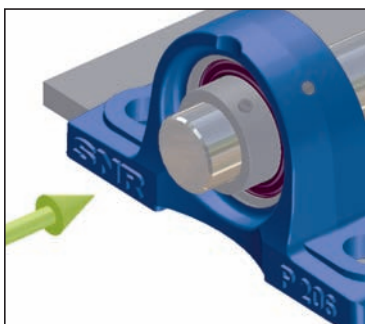
SNR ball bearing units are supplied as a ready-to-fit assembly. If relubrication is necessary, the included lubricating nipple must be mounted.

The spherical bearing seatings of the housings are manufactured in two different ISO tolerances. Bore diameters of up to 180 mm are manufactured in the tolerance class **J7**, which performs a firm seat for the bearing inserts.

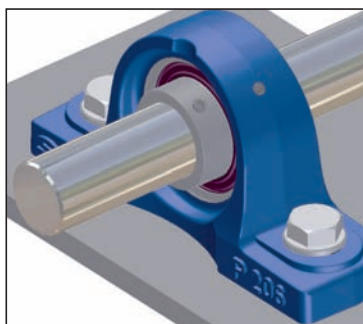
Larger bore diameters are manufactured in the tolerance class **H7**. In this cases the insert is secured by a locking pin in the outer ring.

Assembly

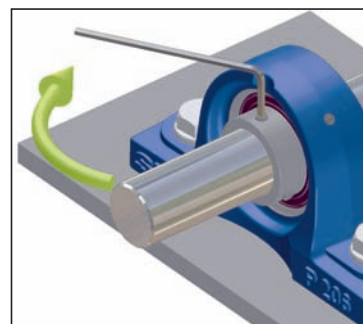
SNR pillow blocks and inserts with set screw fixing



1. Release set screws and slide bearing unit onto the shaft.

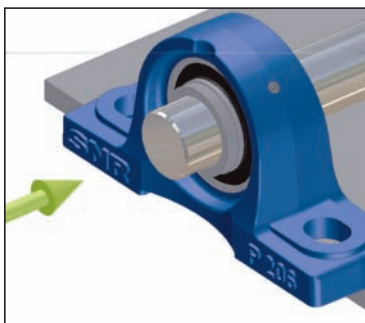


2. Screw down the housing on a flat surface. Mount the housing on the other end of the shaft in the same manner.

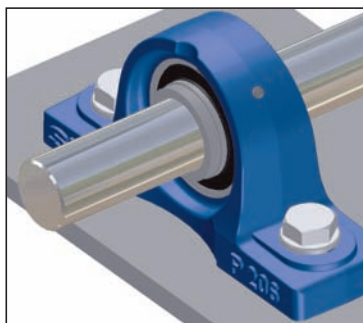


3. Screw down the set screws at the recommended tightening torque.

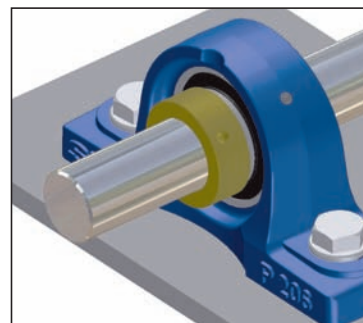
SNR pillow blocks and inserts with eccentric locking collar



1. Slide the unit onto the shaft. Do not tighten the eccentric locking collar.



2. Tighten the screws slightly. Mount the unit on the other end of the shaft in the same manner. Securely tighten the screws.

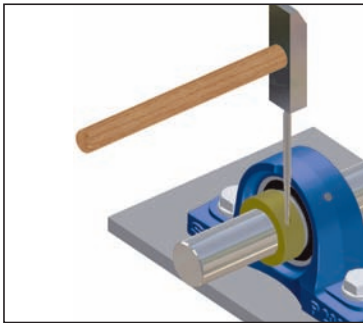


3. Preferably tighten the eccentric locking collar by hand in the direction of the shaft rotation.

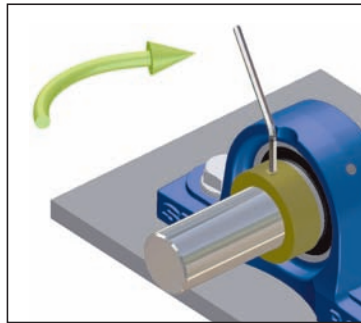
SNR Ball Bearing Units



Assembly

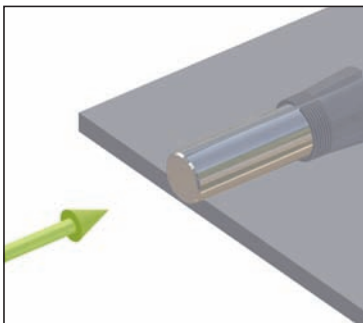


4. Tighten the eccentric locking collar with mandrel and hammer.

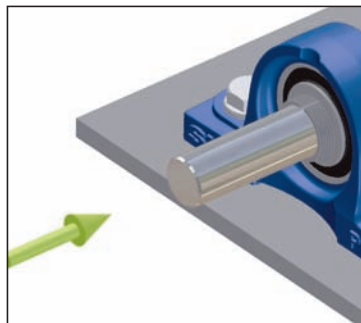


5. Tighten the set screws.

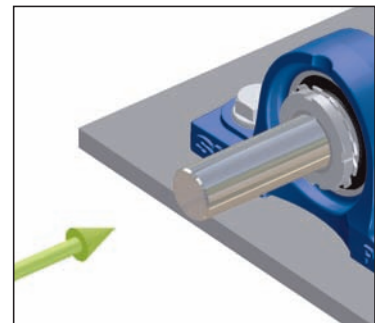
SNR pillow blocks and inserts with adapter sleeve fixing



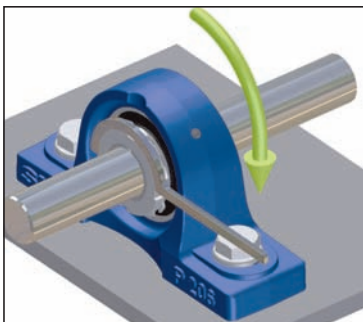
1. Slide the adapter sleeve onto the shaft.



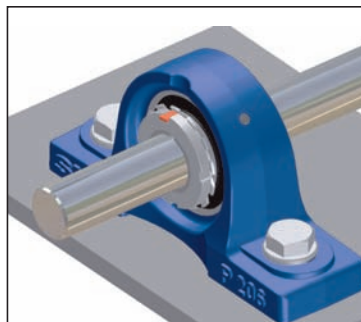
2. Slide the unit onto the shaft.



3. Align the unit on the shaft, then screw on the housing securely.



4. Mount the lock washer and groove nut and then tighten at the recommended tightening torque.



5. Secure the adapter sleeve (bend the tab of the lock washer into a slot in the groove nut).

Additional information about assembly

In order to prevent possible damage to the bearing insert due to improper assembly, the housing must first be screwed down onto its respective base or onto the frame before the inner rings of the inserts are tightened into their final position on the shaft. Otherwise, undesirable axial distortion could result and thus premature failure of the bearing.

The ends of the shaft should be provided with a chamfer for easier assembly.

It must be ensured that the set screws of the bearing inserts are screwed out far enough so that they do not project in the inner ring bore. Otherwise, assembly can be difficult or the shaft could even be damaged. Normally the bearing inner rings are slid onto the shaft with a tight loose fit. If for individual cases an interference fit proves to be essential, the inner rings should be fit using a suitable piece of pipe, preferably made of brass or plastic.

We also supply the respective assembly tools for all bearing inserts, as well as for standard bearings.

Direct hammer impacts on the inserts or the housing must be avoided because they can damage the bearing.

When assembly is finished, the shaft is initially turned by hand in order to ensure rotation without problems.

In operation, cast iron housings should be stressed by pressure force and not by tension, if possible. Take-up units must be positioned in that way, that the straining screw presses against the housing during adjustment.

Grey cast iron housings are not suitable for highly alternating or axial dynamic loads. In such cases, housings made of cast steel or nodular graphite iron should be used.

Mountings with large bearing spread and bearings which are exposed to additional axial loads because of highly variable temperatures, require special measures, such as mounting a floating bearing screw.

Securing the housing

If exact positioning of the bearing unit is required, some of the housing types can be secured using available centring, or straight or tapered pins.

Housing types with possible positions of the pin bores can be found in the tables starting on page 190.

SNR Ball Bearing Units



Lubrication and maintenance

SNR ball bearing units are filled with the required amount of grease at the factory. Thus additional lubrication during assembly is not necessary.

Relubrication is not necessary for normal operating conditions.

Under severe conditions, such as continuous operation at high speeds, high temperatures (above $+70^{\circ}\text{C}$ operating temperature), heavy loads, or very humid or dirty surroundings, regular relubrication is necessary.

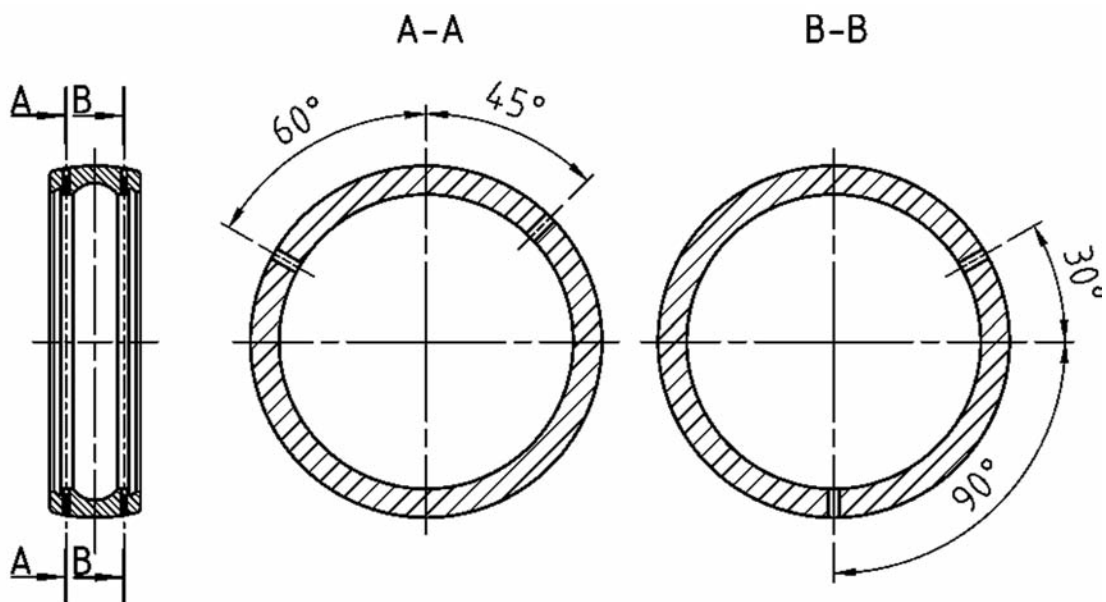
Relubrication is dependent on the insert size. Relubrication should be performed during operation (rotating insert under operating temperature). Press the suitable grease into the unit until a fresh collar of grease is formed on the seals.

Caution: The old grease must be allowed to emerge without hindrance.

Relubrication system

Grey cast iron housings are equipped with a lubrication groove within the spherical bore. The inserts have 4 lubrication holes in the outer ring which are arranged offset.

Because of the arrangement of the lubrication holes, SNR inserts can be mounted in nearly all housings with lubrication groove and then be relubricated.



Lubricating nipple

The lubricating nipple used is made of steel and is zinc plated.

The following sizes of the lubricating nipple are used:

M6x1, M8x1, M10x1 and R1/8"

Specifications about suitable lubricating nipples for individual housings can be found in the dimension tables.

Delivery condition: Lubricating nipples are supplied together with the bearing units. They are not mounted. The lubrication hole in the housings is closed with a plastic plug.



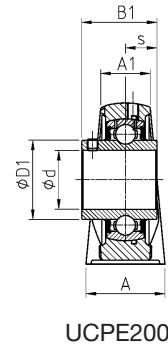
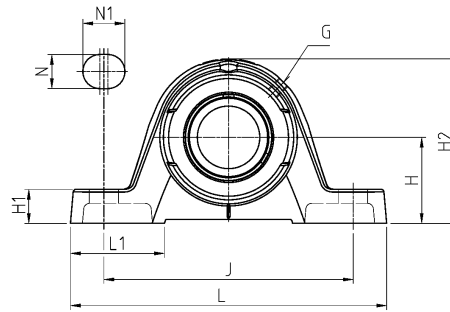
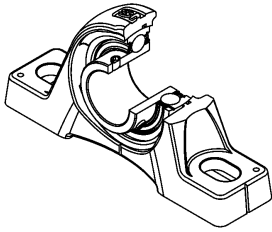
Grease

SNR ball bearing inserts are lubricated for life at the factory. If relubrication is necessary because of severe operating conditions, grease having the same base and consistency should be used.

The greases for SNR ball bearing units have the following technical characteristics:

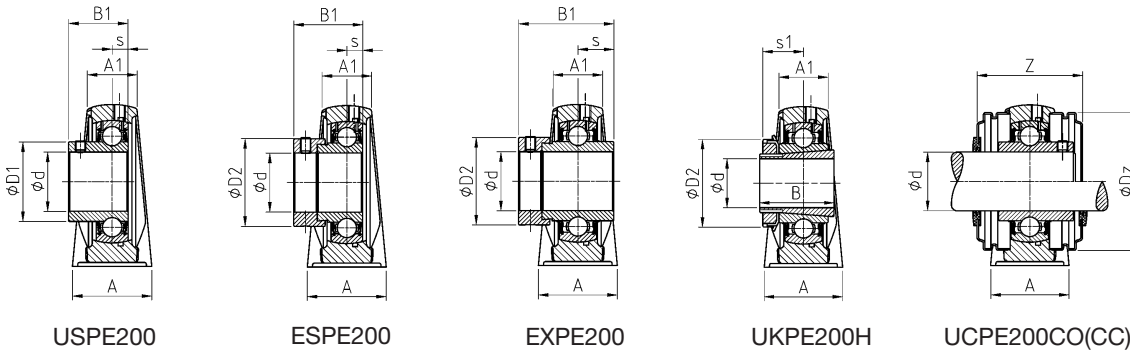
Range of application for grease	Grease base	Temperature range [°C]	Consistency DIN 51 818 NLGI class	Speed characteristic (n · dm) [min ⁻¹ · mm]	Viscosity at 40°C [mm ² /s]
Standard	Lithium soap	-20 to +120	II	500 000	100
High temperatures (e.g., "T20")	Perfluoropolyether oil and PTFE	-40 to +260	II	300 000	400
Low temperatures (e.g., "T04")	Lithium soap	-60 to +120	III	–	25

Housing PE200 relubricatable



UCPE200

Shaft diameter		Unit		Main dimensions [mm]												
d [mm]		L	H	A1	A	J	N	N1	L1	H1	H2	s1	B	B1	s	
12	UCPE201	130	33,3	19	32	97	11	19	40,0	14,5	64	-	-	31,0	12,7	
	USPE201	125	30,2	18	30	95	11	19	38,0	10,0	57	-	-	22,0	6,0	
	ESPE201	125	30,2	18	30	95	11	19	38,0	10,0	57	-	-	28,6	6,5	
	EXPE201	130	33,3	19	32	97	11	19	40,0	14,5	64	-	-	43,5	17,0	
15	UCPE202	130	33,3	19	32	97	11	19	40,0	14,5	64	-	-	31,0	12,7	
	USPE202	125	30,2	18	30	95	11	19	38,0	10,0	57	-	-	22,0	6,0	
	ESPE202	125	30,2	18	30	95	11	19	38,0	10,0	57	-	-	28,6	6,5	
	EXPE202	130	33,3	19	32	97	11	19	40,0	14,5	64	-	-	43,5	17,0	
17	UCPE203	130	33,3	19	32	97	11	19	40,0	14,5	64	-	-	31,0	12,7	
	USPE203	125	30,2	18	30	95	11	19	38,0	10,0	57	-	-	22,0	6,0	
	ESPE203	125	30,2	18	30	95	11	19	38,0	10,0	57	-	-	28,6	6,5	
	EXPE203	130	33,3	19	32	97	11	19	40,0	14,5	64	-	-	43,5	17,0	
20	UCPE204	130	33,3	19	32	97	11	19	40,0	14,5	64	-	-	31,0	12,7	
	USPE204	130	33,3	19	32	97	11	19	40,0	14,5	64	-	-	25,0	7,0	
	ESPE204	130	33,3	19	32	97	11	19	40,0	14,5	64	-	-	30,9	7,5	
	EXPE204	130	33,3	19	32	97	11	19	40,0	14,5	64	-	-	43,5	17,0	
	UKPE205H	130	36,5	21	36	103	11	19	39,0	14,5	70	18,5	35	-	-	
25	UCPE205	130	36,5	21	36	103	11	19	39,0	14,5	70	-	-	34,0	14,3	
	USPE205	130	36,5	21	36	103	11	19	39,0	14,5	70	-	-	27,0	7,5	
	ESPE205	130	36,5	21	36	103	11	19	39,0	14,5	70	-	-	30,9	7,5	
	EXPE205	130	36,5	21	36	103	11	19	39,0	14,5	70	-	-	44,3	17,4	
	UKPE206H	158	42,9	25	40	118	14	22	47,0	17,0	82	20,5	38	-	-	
30	UCPE206	158	42,9	25	40	118	14	22	47,0	17,0	82	-	-	38,1	15,9	
	USPE206	158	42,9	25	40	118	14	22	47,0	17,0	82	-	-	30,0	8,0	
	ESPE206	158	42,9	25	40	118	14	22	47,0	17,0	82	-	-	35,7	9,0	
	EXPE206	158	42,9	25	40	118	14	22	47,0	17,0	82	-	-	48,3	18,2	
	UKPE207H	163	47,6	27	45	126	14	21	49,0	19,0	93	22,5	43	-	-	
35	UCPE207	163	47,6	27	45	126	14	21	49,0	19,0	93	-	-	42,9	17,5	
	USPE207	163	47,6	27	45	126	14	21	49,0	19,0	93	-	-	32,0	8,5	
	ESPE207	163	47,6	27	45	126	14	21	49,0	19,0	93	-	-	38,9	9,5	
	EXPE207	163	47,6	27	45	126	14	21	49,0	19,0	93	-	-	51,1	18,8	
	UKPE208H	179	49,2	30	48	138	14	26	53,0	19,0	99	24,5	46	-	-	
40	UCPE208	179	49,2	30	48	138	14	26	53,0	19,0	99	-	-	49,2	19,0	
	USPE208	179	49,2	30	48	138	14	26	53,0	19,0	99	-	-	34,0	9,0	
	ESPE208	179	49,2	30	48	138	14	26	53,0	19,0	99	-	-	43,7	11,0	
	EXPE208	179	49,2	30	48	138	14	26	53,0	19,0	99	-	-	56,3	21,4	
	UKPE209H	192	54,0	32	48	150	14	29	54,5	21,5	107	26,0	50	-	-	



					Housing	Bearing insert	Open protec- tive caps*	Closed protec- tive caps**	Dynamic load rating	Static load rating	Weight	Shaft diameter
D1	D2	G	Z	Dz					C _r [kN]	C _{0r} [kN]	[kg]	d [mm]
29,0	-	R1/8"	44,6	54,0	PE204	UC201	CO	CC	12,80	6,65	0,5	12
24,6	-	M6x1	40,6	46,0	PE203	US201	CO	CC	9,55	4,78	0,4	
-	28,6	M6x1	***	***	PE203	ES201	***	***	9,55	4,78	0,5	
-	33,3	R1/8"	***	***	PE204	EX201	***	***	12,80	6,65	0,6	
29,0	-	R1/8"	44,6	54,0	PE204	UC202	CO	CC	12,80	6,65	0,5	15
24,6	-	M6x1	40,6	46,0	PE203	US202	CO	CC	9,55	4,78	0,4	
-	28,6	M6x1	***	***	PE203	ES202	***	***	9,55	4,78	0,5	
-	33,3	R1/8"	***	***	PE204	EX202	***	***	12,80	6,65	0,6	
29,0	-	R1/8"	44,6	54,0	PE204	UC203	CO	CC	12,80	6,65	0,5	17
24,6	-	M6x1	40,6	46,0	PE203	US203	CO	CC	9,55	4,78	0,4	
-	28,6	M6x1	***	***	PE203	ES203	***	***	9,55	4,78	0,5	
-	33,3	R1/8"	***	***	PE204	EX203	***	***	12,80	6,65	0,6	
29,0	-	R1/8"	44,6	54,0	PE204	UC204	CO	CC	12,80	6,65	0,5	20
29,0	-	R1/8"	44,6	54,0	PE204	US204	CO	CC	12,80	6,65	0,5	
-	33,3	R1/8"	***	***	PE204	ES204	***	***	12,80	6,65	0,5	
-	33,3	R1/8"	***	***	PE204	EX204	***	***	12,80	6,65	0,6	
-	38,0	R1/8"	47,8	60,0	PE205	UK205 + H2305	CO	CC	14,00	7,88	0,8	
34,0	-	R1/8"	47,8	60,0	PE205	UC205	CO	CC	14,00	7,88	0,7	25
34,0	-	R1/8"	47,8	60,0	PE205	US205	CO	CC	14,00	7,88	0,7	
-	38,1	R1/8"	***	***	PE205	ES205	***	***	14,00	7,88	0,7	
-	38,1	R1/8"	***	***	PE205	EX205	***	***	14,00	7,88	0,8	
-	45,0	R1/8"	52,8	70,0	PE206	UK206 + H2306	CO	CC	19,50	11,20	1,2	
40,3	-	R1/8"	52,8	70,0	PE206	UC206	CO	CC	19,50	11,20	1,1	30
40,3	-	R1/8"	52,8	70,0	PE206	US206	CO	CC	19,50	11,20	1,1	
-	44,5	R1/8"	***	***	PE206	ES206	***	***	19,50	11,20	1,1	
-	44,5	R1/8"	***	***	PE206	EX206	***	***	19,50	11,20	1,2	
-	52,0	R1/8"	57,4	80,0	PE207	UK207 + H2307	CO	CC	25,70	15,20	1,6	
48,0	-	R1/8"	57,4	80,0	PE207	UC207	CO	CC	25,70	15,20	1,5	35
48,0	-	R1/8"	57,4	80,0	PE207	US207	CO	CC	25,70	15,20	1,5	
-	55,6	R1/8"	***	***	PE207	ES207	***	***	25,70	15,20	1,6	
-	55,6	R1/8"	***	***	PE207	EX207	***	***	25,70	15,20	1,7	
-	58,0	R1/8"	66,8	88,0	PE208	UK208 + H2308	CO	CC	29,60	18,20	1,9	
53,0	-	R1/8"	66,8	88,0	PE208	UC208	CO	CC	29,60	18,20	1,8	40
53,0	-	R1/8"	66,8	88,0	PE208	US208	CO	CC	29,60	18,20	1,8	
-	60,3	R1/8"	***	***	PE208	ES208	***	***	29,60	18,20	1,8	
-	60,3	R1/8"	***	***	PE208	EX208	***	***	29,60	18,20	2,0	
-	65,0	R1/8"	67,8	95,0	PE209	UK209 + H2309	CO	CC	31,85	20,80	2,3	

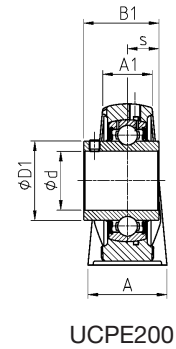
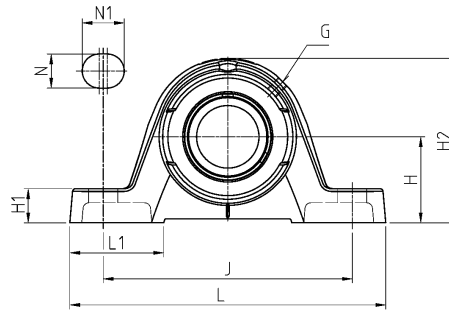
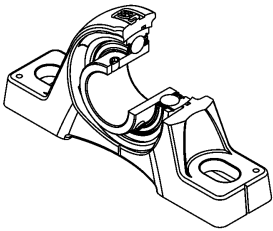
* = Equipped with two open protective caps for passing shafts: Suffix CO see example on page 6

** = Equipped with one open and one closed protective cap for shaft ends: Suffix CC see example on page 6

*** = Protective caps for bearing inserts with eccentric locking collar available on request.

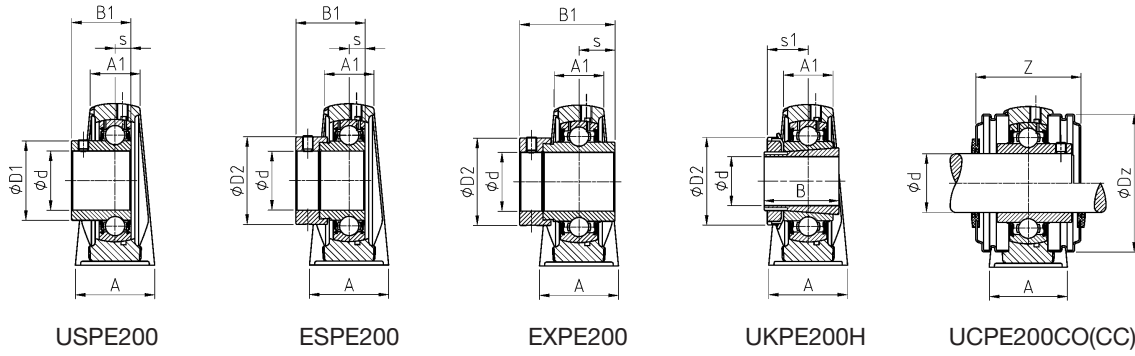


Housing PE200 relubricatable



UCPE200

Shaft diameter		Unit		Main dimensions [mm]											
d [mm]		L	H	A1	A	J	N	N1	L1	H1	H2	s1	B	B1	s
45	UCPE209	192	54,0	32	48	150	14	29	54,5	21,5	107,0	-	-	49,2	19,0
	USPE209	192	54,0	32	48	150	14	29	54,5	21,5	107,0	-	-	41,2	10,2
	ESPE209	192	54,0	32	48	150	14	29	54,5	21,5	107,0	-	-	43,7	11,0
	EXPE209	192	54,0	32	48	150	14	29	54,5	21,5	107,0	-	-	56,3	21,4
	UKPE210H	200	57,2	34	54	158	18	23	61,0	21,5	115,0	27,5	55,0	-	-
50	UCPE210	200	57,2	34	54	158	18	23	61,0	21,5	115,0	-	-	51,6	19,0
	USPE210	200	57,2	34	54	158	18	23	61,0	21,5	115,0	-	-	43,5	10,9
	ESPE210	200	57,2	34	54	158	18	23	61,0	21,5	115,0	-	-	43,7	11,0
	EXPE210	200	57,2	34	54	158	18	23	61,0	21,5	115,0	-	-	62,7	24,6
	UKPE211H	222	63,5	35	60	176	18	30	68,0	22,5	124,5	29,0	59,0	-	-
55	UCPE211	222	63,5	35	60	176	18	30	68,0	22,5	124,5	-	-	55,6	22,2
	USPE211	222	63,5	35	60	176	18	30	68,0	22,5	124,5	-	-	45,3	11,8
	ESPE211	222	63,5	35	60	176	18	30	68,0	22,5	124,5	-	-	48,4	12,0
	EXPE211	222	63,5	35	60	176	18	30	68,0	22,5	124,5	-	-	71,3	27,7
	UKPE212H	240	69,9	42	60	190	18	28	71,0	25,0	140,0	31,0	62,0	-	-
60	UCPE212	240	69,9	42	60	190	18	28	71,0	25,0	140,0	-	-	65,1	25,4
	USPE212	240	69,9	42	60	190	18	28	71,0	25,0	140,0	-	-	53,7	14,9
	ESPE212	240	69,9	42	60	190	18	28	71,0	25,0	140,0	-	-	49,3	12,0
	EXPE212	240	69,9	42	60	190	18	28	71,0	25,0	140,0	-	-	77,7	30,9
	UKPE213H	260	79,4	44	65	203	22	28	77,0	27,5	156,0	32,0	65,0	-	-
65	UCPE213	260	79,4	44	65	203	22	28	77,0	27,5	156,0	-	-	65,1	25,4
	EXPE213	260	79,4	44	65	203	22	28	77,0	27,5	156,0	-	-	85,7	34,1
	UKPE215H	265	82,5	48	66	210	22	30	78,0	27,5	164,0	35,5	73,0	-	-
70	UCPE214	260	79,4	44	65	203	22	28	77,0	27,5	156,0	-	-	74,6	30,2
	EXPE214	260	79,4	44	65	203	22	28	77,0	27,5	156,0	-	-	85,7	34,1
	UKPE216H	290	89,0	55	78	232	26	34	90,0	30,0	175,0	39,0	78,0	-	-
75	UCPE215	265	82,5	48	66	210	22	30	78,0	27,5	164,0	-	-	77,8	33,3
	EXPE215	265	82,5	48	66	210	22	30	78,0	27,5	164,0	-	-	92,1	37,3
80	UCPE216	290	89,0	55	78	232	26	34	90,0	30,0	175,0	-	-	82,6	33,3
	EXPE216	290	89,0	55	78	232	26	34	90,0	30,0	175,0	-	-	95,2	37,3
	UKPE218H	330	101,6	55	85	268	27	35	99,0	35,0	200,0	42,0	86,0	-	-
90	UCPE218	330	101,6	55	85	268	27	35	99,0	35,0	200,0	-	-	96,0	39,7
	EXPE218	330	101,6	55	85	268	27	35	99,0	35,0	200,0	-	-	72,5	24,5



					Housing	Bearing insert	Open protec- tive caps *	Closed protec- tive caps **	Dynamic load rating	Static load rating	Weight	Shaft diameter
D1	D2	G	Z	Dz					C _r [kN]	C _{or} [kN]	[kg]	d [mm]
57,2	-	R1/8"	67,8	95,0	PE209	UC209	CO	CC	31,85	20,80	2,2	45
57,2	-	R1/8"	67,8	95,0	PE209	US209	CO	CC	31,85	20,80	2,1	
-	63,5	R1/8"	***	***	PE209	ES209	***	***	31,85	20,80	2,2	
-	63,5	R1/8"	***	***	PE209	EX209	***	***	31,85	20,80	2,4	
-	70,0	R1/8"	74,6	100,0	PE210	UK210 + H2310	CO	CC	35,10	23,20	2,9	
61,8	-	R1/8"	74,6	100,0	PE210	UC210	CO	CC	35,10	23,20	2,7	50
61,8	-	R1/8"	74,6	100,0	PE210	US210	CO	CC	35,10	23,20	2,7	
-	69,9	R1/8"	***	***	PE210	ES210	***	***	35,10	23,20	2,7	
-	69,9	R1/8"	***	***	PE210	EX210	***	***	35,10	23,20	2,9	
-	75,0	R1/8"	75,2	110,0	PE211	UK211 + H2311	CO	CC	43,55	29,20	3,5	
69,0	-	R1/8"	75,2	110,0	PE211	UC211	CO	CC	43,55	29,20	3,4	55
69,0	-	R1/8"	75,2	110,0	PE211	US211	CO	CC	43,55	29,20	3,4	
-	76,2	R1/8"	***	***	PE211	ES211	***	***	43,55	29,20	3,2	
-	76,2	R1/8"	***	***	PE211	EX211	***	***	43,55	29,20	3,7	
-	80,0	R1/8"	87,8	120,0	PE212	UK212 + H2312	CO	CC	52,50	32,80	4,8	
74,9	-	R1/8"	87,8	120,0	PE212	UC212	CO	CC	52,50	32,80	4,8	60
74,9	-	R1/8"	87,8	120,0	PE212	US212	CO	CC	52,50	32,80	4,6	
-	84,2	R1/8"	***	***	PE212	ES212	***	***	52,50	32,80	4,5	
-	84,2	R1/8"	***	***	PE212	EX212	***	***	52,50	32,80	5,1	
-	85,0	R1/8"	88,8	132,0	PE213	UK213 + H2313	CO	CC	57,20	40,00	7,3	
82,0	-	R1/8"	88,8	132,0	PE213	UC213	CO	CC	57,20	40,00	6,1	65
-	86,0	R1/8"	***	***	PE213	EX213	***	***	57,20	40,00	6,6	
-	98,0	R1/8"	-	-	PE215	UK215 + H2315	-	-	66,00	49,50	6,8	
86,5	-	R1/8"	-	-	PE214	UC214	-	-	62,00	45,00	6,1	70
-	96,8	R1/8"	-	-	PE214	EX214	-	-	62,00	45,00	6,6	
-	105,0	R1/8"	-	-	PE216	UK216 + H2316	-	-	72,50	54,20	9,4	
91,5	-	R1/8"	-	-	PE215	UC215	-	-	66,00	49,50	6,9	75
-	102,0	R1/8"	-	-	PE215	EX215	-	-	66,00	49,50	7,5	
98,0	-	R1/8"	-	-	PE216	UC216	-	-	72,50	54,20	9,0	80
-	110,0	R1/8"	-	-	PE216	EX216	-	-	72,50	54,20	9,3	
-	120,0	R1/8"	-	-	PE218	UK218 + H2318	-	-	96,00	71,50	13,6	
111,0	-	R1/8"	-	-	PE218	UC218	-	-	96,00	71,50	13,3	90
-	120,0	R1/8"	-	-	PE218	EX218	-	-	96,00	71,50	13,8	

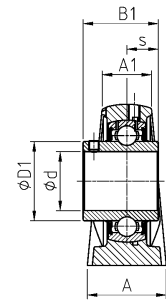
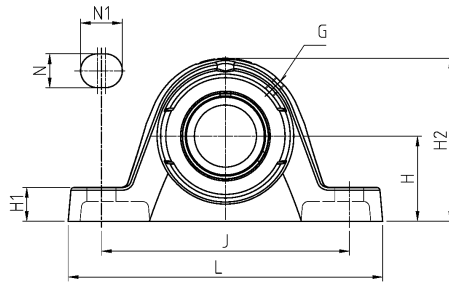
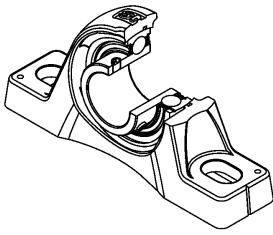
* = Equipped with two open protective caps for passing shafts: Suffix CO see example on page 6

** = Equipped with one open and one closed protective cap for shaft ends: Suffix CC see example on page 6

*** = Protective caps for bearing inserts with eccentric locking collar available on request.

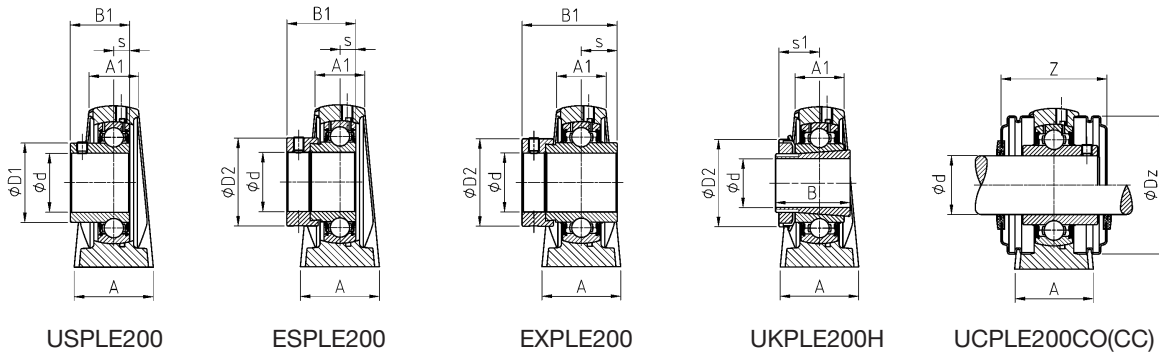


Housing PLE200 relubricatable



UCPLE200

Shaft diameter		Unit		Main dimensions [mm]												
d [mm]		L	H	A1	A	J	N	N1	H1	H2	s1	B	B1	s	D1	
12	UCPLE201	126,5	31,8	22,5	32,0	94,5	11	17,0	12,5	63,7	-	-	31,0	12,7	29,0	
	USPLE201	119,0	27,0	20,5	30,0	88,5	11	14,0	11,0	54,0	-	-	22,0	6,0	24,6	
	ESPLE201	119,0	27,0	20,5	30,0	88,5	11	14,0	11,0	54,0	-	-	28,6	6,5	-	
	EXPLE201	126,5	31,8	22,5	32,0	94,5	11	17,0	12,5	63,7	-	-	43,5	17,0	-	
15	UCPLE202	126,5	31,8	22,5	32,0	94,5	11	17,0	12,5	63,7	-	-	31,0	12,7	29,0	
	USPLE202	119,0	27,0	20,5	30,0	88,5	11	14,0	11,0	54,0	-	-	22,0	6,0	24,6	
	ESPLE202	119,0	27,0	20,5	30,0	88,5	11	14,0	11,0	54,0	-	-	28,6	6,5	-	
	EXPLE202	126,5	31,8	22,5	32,0	94,5	11	17,0	12,5	63,7	-	-	43,5	17,0	-	
17	UCPLE203	126,5	31,8	22,5	32,0	94,5	11	17,0	12,5	63,7	-	-	31,0	12,7	29,0	
	USPLE203	119,0	27,0	20,5	30,0	88,5	11	14,0	11,0	54,0	-	-	22,0	6,0	24,6	
	ESPLE203	119,0	27,0	20,5	30,0	88,5	11	14,0	11,0	54,0	-	-	28,6	6,5	-	
	EXPLE203	126,5	31,8	22,5	32,0	94,5	11	17,0	12,5	63,7	-	-	43,5	17,0	-	
20	UCPLE204	126,5	31,8	22,5	32,0	94,5	11	17,0	12,5	63,7	-	-	31,0	12,7	29,0	
	USPLE204	126,5	31,8	22,5	32,0	94,5	11	17,0	12,5	63,7	-	-	25,0	7,0	29,0	
	ESPLE204	126,5	31,8	22,5	32,0	94,5	11	17,0	12,5	63,7	-	-	30,9	7,5	-	
	EXPLE204	126,5	31,8	22,5	32,0	94,5	11	17,0	12,5	63,7	-	-	43,5	17,0	-	
	UKPLE205H	139,0	33,3	24,5	36,5	104,2	11	17,0	12,8	67,8	18,5	35,0	-	-	-	
25	UCPLE205	139,0	33,3	24,5	36,5	104,2	11	17,0	12,8	67,8	-	-	34,0	14,3	34,0	
	USPLE205	139,0	33,3	24,5	36,5	104,2	11	17,0	12,8	67,8	-	-	27,0	7,5	34,0	
	ESPLE205	139,0	33,3	24,5	36,5	104,2	11	17,0	12,8	67,8	-	-	30,9	7,5	-	
	EXPLE205	139,0	33,3	24,5	36,5	104,2	11	17,0	12,8	67,8	-	-	44,3	17,4	-	
	UKPLE206H	161,5	39,7	27,5	41,5	119,0	14	24,5	14,5	79,5	20,5	38,0	-	-	-	
30	UCPLE206	161,5	39,7	27,5	41,5	119,0	14	24,5	14,5	79,5	-	-	38,1	15,9	40,3	
	USPLE206	161,5	39,7	27,5	41,5	119,0	14	24,5	14,5	79,5	-	-	30,0	8,0	40,3	
	ESPLE206	161,5	39,7	27,5	41,5	119,0	14	24,5	14,5	79,5	-	-	35,7	9,0	-	
	EXPLE206	161,5	39,7	27,5	41,5	119,0	14	24,5	14,5	79,5	-	-	48,3	18,2	-	
	UKPLE207H	166,0	46,2	30,5	44,5	129,0	14	21,5	16,0	91,5	22,5	43,0	-	-	-	
35	UCPLE207	166,0	46,2	30,5	44,5	129,0	14	21,5	16,0	91,5	-	-	42,9	17,5	48,0	
	USPLE207	166,0	46,2	30,5	44,5	129,0	14	21,5	16,0	91,5	-	-	32,0	8,5	48,0	
	ESPLE207	166,0	46,2	30,5	44,5	129,0	14	21,5	16,0	91,5	-	-	38,9	9,5	-	
	EXPLE207	166,0	46,2	30,5	44,5	129,0	14	21,5	16,0	91,5	-	-	51,1	18,8	-	
	UKPLE208H	180,5	49,2	34,5	51,0	137,5	14	24,5	18,5	98,5	24,5	46,0	-	-	-	



USPLE200

ESPLE200

EXPLE200

UKPLE200H

UCPLE200CO(CC)

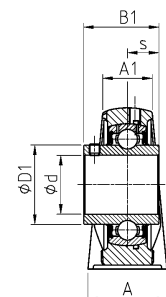
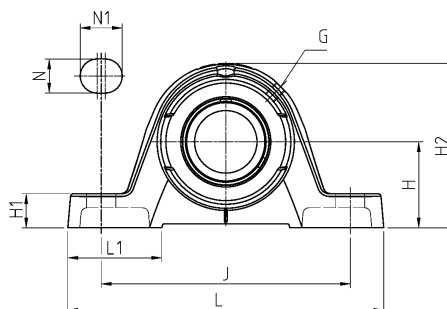
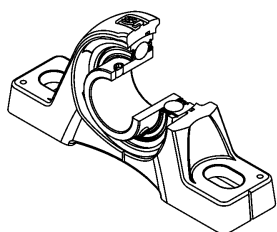
				Housing		Bearing insert		Open protec- tive caps *		Closed protec- tive caps **		Dynamic load rating		Static load rating		Weight		Shaft diameter	
D2	G	Z	Dz							C _r [kN]	C _{0r} [kN]	[kg]	d [mm]						
-	M6x1	44,6	54,0	PLE204	UC201	CO	CC	12,80	6,65	0,5	12								
-	M6x1	40,6	46,0	PLE203	US201	CO	CC	9,55	4,78	0,4									
28,6	M6x1	***	***	PLE203	ES201	***	***	9,55	4,78	0,5									
33,3	M6x1	***	***	PLE204	EX201	***	***	12,80	6,65	0,6									
-	M6x1	44,6	54,0	PLE204	UC202	CO	CC	12,80	6,65	0,5	15								
-	M6x1	40,6	46,0	PLE203	US202	CO	CC	9,55	4,78	0,4									
28,6	M6x1	***	***	PLE203	ES202	***	***	9,55	4,78	0,5									
33,3	M6x1	***	***	PLE204	EX202	***	***	12,80	6,65	0,6									
-	M6x1	44,6	54,0	PLE204	UC203	CO	CC	12,80	6,65	0,5	17								
-	M6x1	40,6	46,0	PLE203	US203	CO	CC	9,55	4,78	0,4									
28,6	M6x1	***	***	PLE203	ES203	***	***	9,55	4,78	0,5									
33,3	M6x1	***	***	PLE204	EX203	***	***	12,80	6,65	0,6									
-	M6x1	44,6	54,0	PLE204	UC204	CO	CC	12,80	6,65	0,5	20								
-	M6x1	42,6	54,0	PLE204	US204	CO	CC	12,80	6,65	0,5									
33,3	M6x1	***	***	PLE204	ES204	***	***	12,80	6,65	0,5									
33,3	M6x1	***	***	PLE204	EX204	***	***	12,80	6,65	0,6									
38,0	M6x1	47,8	60,0	PLE205	UK205 + H2305	CO	CC	14,00	7,88	0,8									
-	M6x1	47,8	60,0	PLE205	UC205	CO	CC	14,00	7,88	0,7	25								
-	M6x1	47,8	60,0	PLE205	US205	CO	CC	14,00	7,88	0,7									
38,1	M6x1	***	***	PLE205	ES205	***	***	14,00	7,88	0,7									
38,1	M6x1	***	***	PLE205	EX205	***	***	14,00	7,88	0,8									
45,0	M6x1	52,8	70,0	PLE206	UK206 + H2306	CO	CC	19,50	11,20	1,2									
-	M6x1	52,8	70,0	PLE206	UC206	CO	CC	19,50	11,20	1,1	30								
-	M6x1	52,8	70,0	PLE206	US206	CO	CC	19,50	11,20	1,1									
44,5	M6x1	***	***	PLE206	ES206	***	***	19,50	11,20	1,1									
44,5	M6x1	***	***	PLE206	EX206	***	***	19,50	11,20	1,2									
52,0	M6x1	57,4	80,0	PLE207	UK207 + H2307	CO	CC	25,70	15,20	1,6									
-	M6x1	57,4	80,0	PLE207	UC207	CO	CC	25,70	15,20	1,5	35								
-	M6x1	57,4	80,0	PLE207	US207	CO	CC	25,70	15,20	1,5									
55,6	M6x1	***	***	PLE207	ES207	***	***	25,70	15,20	1,6									
55,6	M6x1	***	***	PLE207	EX207	***	***	25,70	15,20	1,7									
58,0	M6x1	66,8	88,0	PLE208	UK208 + H2308	CO	CC	29,60	18,20	1,9									

* = Equipped with two open protective caps for passing shafts: Suffix CO see example on page 6

** = Equipped with one open and one closed protective cap for shaft ends: Suffix CC see example on page 6

*** = Protective caps for bearing inserts with eccentric locking collar available on request.

Housing PLE200 relubricatable

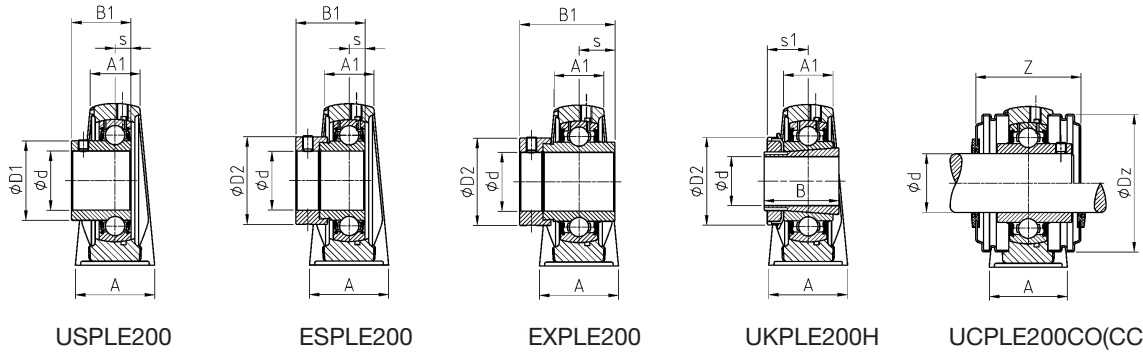


UCPLE200

Shaft diameter
Unit

Main dimensions [mm]

d [mm]	Unit	L	H	A1	A	J	N	N1	H1	H2	s1	B	B1	s	D1
40	UCPLE208	180,5	49,2	34,5	51,0	137,5	14	24,5	18,5	98,5	-	-	49,2	19,0	53,0
	USPLE208	180,5	49,2	34,5	51,0	137,5	14	24,5	18,5	98,5	-	-	34,0	9,0	53,0
	ESPLE208	180,5	49,2	34,5	51,0	137,5	14	24,5	18,5	98,5	-	-	43,7	11,0	-
	EXPLE208	180,5	49,2	34,5	51,0	137,5	14	24,5	18,5	98,5	-	-	56,3	21,4	-
	UKPLE209H	197,5	52,4	35,0	54,0	151,5	14	24,0	18,4	106,4	26,0	50,0	-	-	-
45	UCPLE209	197,5	52,4	35,0	54,0	151,5	14	24,0	18,4	106,4	-	-	49,2	19,0	57,2
	USPLE209	197,5	52,4	35,0	54,0	151,5	14	24,0	18,4	106,4	-	-	41,2	10,2	57,2
	ESPLE209	197,5	52,4	35,0	54,0	151,5	14	24,0	18,4	106,4	-	-	43,7	11,0	-
	EXPLE209	197,5	52,4	35,0	54,0	151,5	14	24,0	18,4	106,4	-	-	56,3	21,4	-
	UKPLE210H	214,0	55,6	36,0	55,0	164,0	14	27,0	19,3	114,0	27,5	55,0	-	-	-
50	UCPLE210	214,0	55,6	36,0	55,0	164,0	14	27,0	19,3	114,0	-	-	51,6	19,0	61,8
	USPLE210	214,0	55,6	36,0	55,0	164,0	14	27,0	19,3	114,0	-	-	43,5	10,9	61,8
	ESPLE210	214,0	55,6	36,0	55,0	164,0	14	27,0	19,3	114,0	-	-	43,7	11,0	-
	EXPLE210	214,0	55,6	36,0	55,0	164,0	14	27,0	19,3	114,0	-	-	62,7	24,6	-
	UKPLE211H	219,5	61,3	39,5	60,0	170,5	18	26,0	23,2	128,0	29,0	59,0	-	-	-
55	UCPLE211	219,5	61,3	39,5	60,0	170,5	18	26,0	23,2	128,0	-	-	55,6	22,2	69,0
	USPLE211	219,5	61,3	39,5	60,0	170,5	18	26,0	23,2	128,0	-	-	45,3	11,8	69,0
	ESPLE211	219,5	61,3	39,5	60,0	170,5	18	26,0	23,2	128,0	-	-	48,4	12,0	-
	EXPLE211	219,5	61,3	39,5	60,0	170,5	18	26,0	23,2	128,0	-	-	71,3	27,7	-
	UKPLE212H	245,0	68,3	50,8	79,4	193,7	18	29,1	28,6	138,1	31,0	62,0	-	-	-
60	UCPLE212	245,0	68,3	50,8	79,4	193,7	18	29,1	28,6	138,1	-	-	65,1	25,4	74,9
	USPLE212	245,0	68,3	50,8	79,4	193,7	18	29,1	28,6	138,1	-	-	53,7	14,9	74,9
	ESPLE212	245,0	68,3	50,8	79,4	193,7	18	29,1	28,6	138,1	-	-	49,3	12,0	-
	EXPLE212	245,0	68,3	50,8	79,4	193,7	18	29,1	28,6	138,1	-	-	77,7	30,9	-



				Housing	Bearing insert	Open protec- tive caps *	Closed protec- tive caps **	Dynamic load rating	Static load rating	Weight	Shaft diameter
D2	G	Z	Dz					C _r [kN]	C _{0r} [kN]	[kg]	d [mm]
-	M6x1	66,8	88,0	PLE208	UC208	CO	CC	29,60	18,20	1,8	40
-	M6x1	66,8	88,0	PLE208	US208	CO	CC	29,60	18,20	1,8	40
60,3	M6x1	***	***	PLE208	ES208	***	***	29,60	18,20	1,8	40
60,3	M6x1	***	***	PLE208	EX208	***	***	29,60	18,20	2,0	40
65,0	M6x1	67,8	95,0	PLE209	UK209 + H2309	CO	CC	31,85	20,80	2,3	45
-	M6x1	67,8	95,0	PLE209	UC209	CO	CC	31,85	20,80	2,2	45
-	M6x1	67,8	95,0	PLE209	US209	CO	CC	31,85	20,80	2,1	45
63,5	M6x1	***	***	PLE209	ES209	***	***	31,85	20,80	2,2	45
63,5	M6x1	***	***	PLE209	EX209	***	***	31,85	20,80	2,4	45
70,0	M6x1	74,6	100,0	PLE210	UK210 + H2310	CO	CC	35,10	23,20	2,9	50
-	M6x1	74,6	100,0	PLE210	UC210	CO	CC	35,10	23,20	2,7	50
-	M6x1	74,6	100,0	PLE210	US210	CO	CC	35,10	23,20	2,7	50
69,9	M6x1	***	***	PLE210	ES210	***	***	35,10	23,20	2,7	50
69,9	M6x1	***	***	PLE210	EX210	***	***	35,10	23,20	2,9	50
75,0	M6x1	75,2	110,0	PLE211	UK211 + H2311	CO	CC	43,55	29,20	3,5	55
-	M6x1	75,2	110,0	PLE211	UC211	CO	CC	43,55	29,20	3,4	55
-	M6x1	75,2	110,0	PLE211	US211	CO	CC	43,55	29,20	3,4	55
76,2	M6x1	***	***	PLE211	ES211	***	***	43,55	29,20	3,2	55
76,2	M6x1	***	***	PLE211	EX211	***	***	43,55	29,20	3,7	55
80,0	M6x1	87,8	120,0	PLE212	UK212 + H2312	CO	CC	52,50	32,80	4,8	60
-	M6x1	87,8	120,0	PLE212	UC212	CO	CC	52,50	32,80	4,8	60
-	M6x1	87,8	120,0	PLE212	US212	CO	CC	52,50	32,80	4,6	60
84,2	M6x1	***	***	PLE212	ES212	***	***	52,50	32,80	4,5	60
84,2	M6x1	***	***	PLE212	EX212	***	***	52,50	32,80	5,1	60

* = Equipped with two open protective caps for passing shafts: Suffix CO see example on page 6

** = Equipped with one open and one closed protective cap for shaft ends: Suffix CC see example on page 6

*** = Protective caps for bearing inserts with eccentric locking collar available on request.

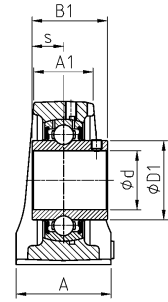
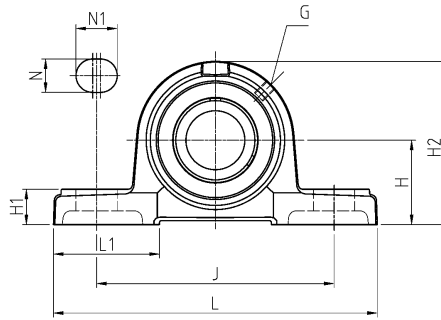
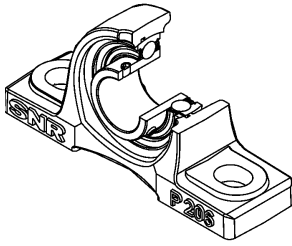
SNR **Pillow block unit**

INDUSTRY

Housing

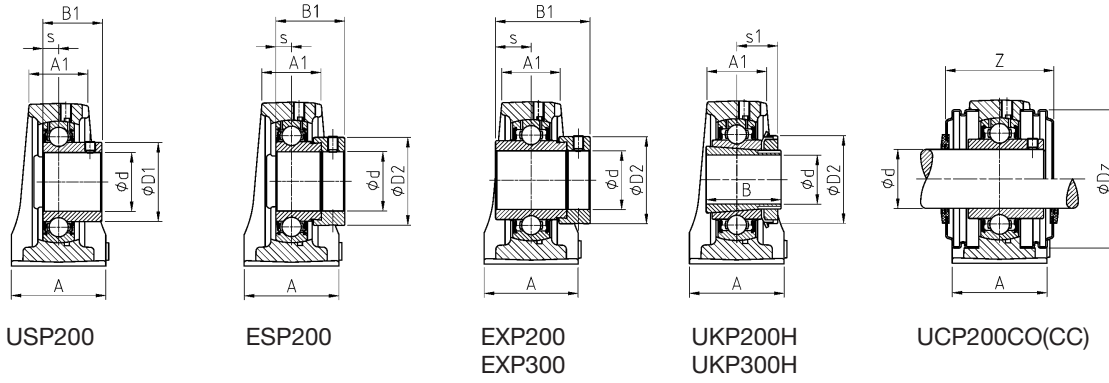
P200 relubricatable

P300 relubricatable



UCP200
UCP300

Shaft diameter		Unit		Main dimensions [mm]												
d [mm]		L	H	A1	A	J	N	N1	L1	H1	H2	s1	B	B1	s	
12	UCP201	127	33,3	22	38	95	13	19	42	15	65	-	-	31,0	12,7	
	USP201	127	30,2	22	38	95	13	19	42	15	62	-	-	22,0	6,0	
	ESP201	127	30,2	22	38	95	13	19	42	15	62	-	-	28,6	6,5	
	EXP201	127	33,3	22	38	95	13	19	42	15	65	-	-	43,5	17,0	
15	UCP202	127	33,3	22	38	95	13	19	42	15	65	-	-	31,0	12,7	
	USP202	127	30,2	22	38	95	13	19	42	15	62	-	-	22,0	6,0	
	ESP202	127	30,2	22	38	95	13	19	42	15	62	-	-	28,6	6,5	
	EXP202	127	33,3	22	38	95	13	19	42	15	65	-	-	43,5	17,0	
17	UCP203	127	33,3	22	38	95	13	19	42	15	65	-	-	31,0	12,7	
	USP203	127	30,2	22	38	95	13	19	42	15	62	-	-	22,0	6,0	
	ESP203	127	30,2	22	38	95	13	19	42	15	62	-	-	28,6	6,5	
	EXP203	127	33,3	22	38	95	13	19	42	15	65	-	-	43,5	17,0	
20	UCP204	127	33,3	22	38	95	13	19	42	15	65	-	-	31,0	12,7	
	USP204	127	33,3	22	38	95	13	19	42	15	65	-	-	25,0	7,0	
	ESP204	127	33,3	22	38	95	13	19	42	15	65	-	-	30,9	7,5	
	EXP204	127	33,3	22	38	95	13	19	42	15	65	-	-	43,5	17,0	
	UKP205H	140	36,5	26	38	105	13	19	42	16	70	18,5	35,0	-	-	
	UKP305H	175	45,0	32	45	132	17	20	54	15	85	21,5	35,0	-	-	
25	UCP205	140	36,5	26	38	105	13	19	42	16	70	-	-	34,0	14,3	
	USP205	140	36,5	26	38	105	13	19	42	16	70	-	-	27,0	7,5	
	ESP205	140	36,5	26	38	105	13	19	42	16	70	-	-	30,9	7,5	
	EXP205	140	36,5	26	38	105	13	19	42	16	70	-	-	44,3	17,4	
	UKP206H	165	42,9	30	48	121	17	21	54	18	83	20,5	38,0	-	-	
	UCP305	175	45,0	32	45	132	17	20	54	15	85	-	-	38,0	15,0	
	EXP305	175	45,0	32	45	132	17	20	54	15	85	-	-	46,8	16,7	
	UKP306H	180	50,0	36	50	140	17	20	54	18	95	23,0	38,0	-	-	
30	UCP206	165	42,9	30	48	121	17	21	54	18	83	-	-	38,1	15,9	
	USP206	165	42,9	30	48	121	17	21	54	18	83	-	-	30,0	8,0	
	ESP206	165	42,9	30	48	121	17	21	54	18	83	-	-	35,7	9,0	
	EXP206	165	42,9	30	48	121	17	21	54	18	83	-	-	48,3	18,2	
	UKP207H	167	47,6	31	48	127	17	21	54	19	94	22,5	43,0	-	-	
	UCP306	180	50,0	36	50	140	17	20	54	18	95	-	-	43,0	17,0	
	EXP306	180	50,0	36	50	140	17	20	54	18	95	-	-	50,0	17,5	
	UKP307H	210	56,0	38	56	160	17	25	60	20	106	25,5	43,0	-	-	



					Housing	Bearing insert	Open protec- tive caps *	Closed protec- tive caps **	Dynamic load rating	Static load rating	Weight	Shaft diameter
D1	D2	G	Z	Dz					C _r [kN]	C _{0r} [kN]	[kg]	d [mm]
29,0	-	M6x1	45,0	54,0	P204	UC201	CO	CC	12,80	6,65	0,7	12
24,6	-	M6x1	45,0	46,0	P203	US201	CO	CC	9,55	4,78	0,7	
-	28,6	M6x1	***	***	P203	ES201	***	***	9,55	4,78	0,7	
-	33,3	M6x1	***	***	P204	EX201	***	***	12,80	6,65	0,8	
29,0	-	M6x1	45,0	54,0	P204	UC202	CO	CC	12,80	6,65	0,7	15
24,6	-	M6x1	45,0	46,0	P203	US202	CO	CC	9,55	4,78	0,6	
-	28,6	M6x1	***	***	P203	ES202	***	***	9,55	4,78	0,7	
-	33,3	M6x1	***	***	P204	EX202	***	***	12,80	6,65	0,8	
29,0	-	M6x1	45,0	54,0	P204	UC203	CO	CC	12,80	6,65	0,7	17
24,6	-	M6x1	45,0	46,0	P203	US203	CO	CC	9,55	4,78	0,6	
-	28,6	M6x1	***	***	P203	ES203	***	***	9,55	4,78	0,7	
-	33,3	M6x1	***	***	P204	EX203	***	***	12,80	6,65	0,8	
29,0	-	M6x1	45,0	54,0	P204	UC204	CO	CC	12,80	6,65	0,7	20
29,0	-	M6x1	45,0	54,0	P204	US204	CO	CC	12,80	6,65	0,7	
-	33,3	M6x1	***	***	P204	ES204	***	***	12,80	6,65	0,7	
-	33,3	M6x1	***	***	P204	EX204	***	***	12,80	6,65	0,8	
-	38,0	M6x1	48,0	60,0	P205	UK205 + H2305	CO	CC	14,00	7,88	0,8	
-	38,0	M6x1	-	-	P305	UK305 + H2305	-	-	22,36	11,50	1,6	
34,0	-	M6x1	48,0	60,0	P205	UC205	CO	CC	14,00	7,88	0,8	25
34,0	-	M6x1	48,0	60,0	P205	US205	CO	CC	14,00	7,88	0,8	
-	38,1	M6x1	***	***	P205	ES205	***	***	14,00	7,88	0,8	
-	38,1	M6x1	***	***	P205	EX205	***	***	14,00	7,88	0,9	
-	45,0	M6x1	53,0	70,0	P206	UK206 + H2306	CO	CC	19,50	11,20	1,4	
35,4	-	M6x1	-	-	P305	UC305	-	-	22,36	11,50	1,4	
-	42,8	M6x1	-	-	P305	EX305	-	-	22,36	11,50	1,5	
-	45,0	M6x1	-	-	P306	UK306 + H2306	-	-	27,00	15,20	2,0	
40,3	-	M6x1	53,0	70,0	P206	UC206	CO	CC	19,50	11,20	1,4	30
40,3	-	M6x1	53,0	70,0	P206	US206	CO	CC	19,50	11,20	1,3	
-	44,5	M6x1	***	***	P206	ES206	***	***	19,50	11,20	1,4	
-	44,5	M6x1	***	***	P206	EX206	***	***	19,50	11,20	1,5	
-	52,0	M6x1	60,0	80,0	P207	UK207 + H2307	CO	CC	25,70	15,20	1,8	
44,6	-	M6x1	-	-	P306	UC306	-	-	27,00	15,20	1,9	
-	50,0	M6x1	-	-	P306	EX306	-	-	27,00	15,20	2,1	
-	52,0	M6x1	-	-	P307	UK307 + H2307	-	-	33,50	19,20	2,8	

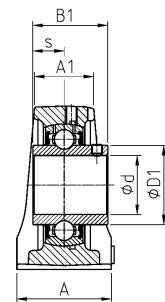
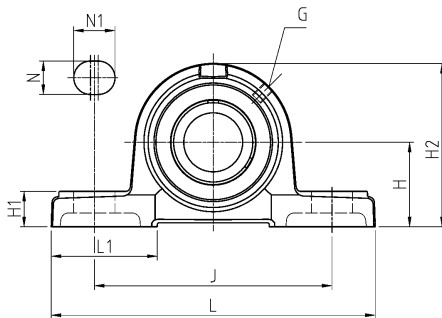
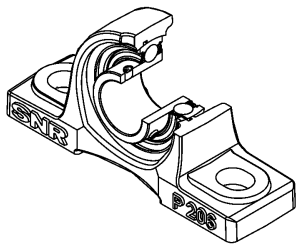
* = Equipped with two open protective caps for passing shafts: Suffix CO see example on page 6
 ** = Equipped with one open and one closed protective cap for shaft ends: Suffix CC see example on page 6
 *** = Protective caps for bearing inserts with eccentric locking collar available on request.



SNR Industry Pillow block unit

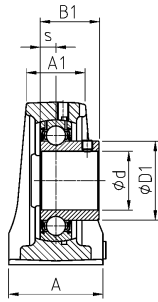
Housing

P200 relubricatable
P300 relubricatable

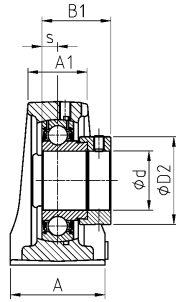


UCP200
UCP300

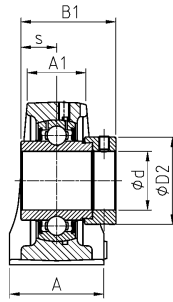
Shaft diameter		Unit		Main dimensions [mm]												
d [mm]		L	H	A1	A	J	N	N1	L1	H1	H2	s1	B	B1	s	
35	UCP207	167	47,6	31	48	127	17	21	54	19	94	-	-	42,9	17,5	
	USP207	167	47,6	31	48	127	17	21	54	19	94	-	-	32,0	8,5	
	ESP207	167	47,6	31	48	127	17	21	54	19	94	-	-	38,9	9,5	
	EXP207	167	47,6	31	48	127	17	21	54	19	94	-	-	51,1	18,8	
	UKP208H	184	49,2	34	54	137	17	23	52	19	100	24,5	46,0	-	-	
	UCP307	210	56,0	38	56	160	17	25	60	20	106	-	-	48,0	19,0	
	EXP307	210	56,0	38	56	160	17	25	60	20	106	-	-	51,6	18,3	
	UKP308H	220	60,0	42	60	170	17	27	60	22	116	27,5	46,0	-	-	
40	UCP208	184	49,2	34	54	137	17	23	52	19	100	-	-	49,2	19,0	
	USP208	184	49,2	34	54	137	17	23	52	19	100	-	-	34,0	9,0	
	ESP208	184	49,2	34	54	137	17	23	52	19	100	-	-	43,7	11,0	
	EXP208	184	49,2	34	54	137	17	23	52	19	100	-	-	56,3	21,4	
	UKP209H	190	54,0	37	54	146	17	23	60	20	108	26,0	50,0	-	-	
	UCP308	220	60,0	42	60	170	17	27	60	22	116	-	-	52,0	19,0	
	EXP308	220	60,0	42	60	170	17	27	60	22	116	-	-	57,1	19,8	
	UKP309H	245	67,0	45	67	190	20	30	65	24	129	30,0	50,0	-	-	
45	UCP209	190	54,0	37	54	146	17	23	60	20	108	-	-	49,2	19,0	
	USP209	190	54,0	37	54	146	17	23	60	20	108	-	-	41,2	10,2	
	ESP209	190	54,0	37	54	146	17	23	60	20	108	-	-	43,7	11,0	
	EXP209	190	54,0	37	54	146	17	23	60	20	108	-	-	56,3	21,4	
	UKP210H	206	57,2	39	60	159	20	25	65	22	114	27,5	55,0	-	-	
	UCP309	245	67,0	45	67	190	20	30	65	24	129	-	-	57,0	22,0	
	EXP309	245	67,0	45	67	190	20	30	65	24	129	-	-	58,7	19,8	
	UKP310H	275	75,0	48	75	212	20	35	75	27	143	32,0	55,0	-	-	
50	UCP210	206	57,2	39	60	159	20	25	65	22	114	-	-	51,6	19,0	
	USP210	206	57,2	39	60	159	20	25	65	22	114	-	-	43,5	10,9	
	ESP210	206	57,2	39	60	159	20	25	65	22	114	-	-	43,7	11,0	
	EXP210	206	57,2	39	60	159	20	25	65	22	114	-	-	62,7	24,6	
	UKP211H	219	63,5	40	60	171	20	25	70	22	126	29,0	59,0	-	-	
	UCP310	275	75,0	48	75	212	20	35	75	27	143	-	-	61,0	22,0	
	EXP310	275	75,0	48	75	212	20	35	75	27	143	-	-	66,6	24,6	
	UKP311H	310	80,0	51	80	236	20	38	85	30	154	34,0	59,0	-	-	



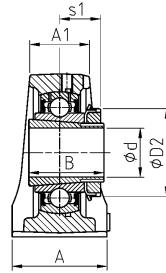
USP200



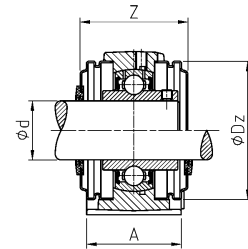
ESP200



EXP200
EXP300



UKP200H
UKP300H



UCP200CO(CC)

					Housing	Bearing insert	Open protec- tive caps *	Closed protec- tive caps **	Dynamic load rating	Static load rating	Weight	Shaft diameter
D1	D2	G	Z	Dz					C _r [kN]	C _{0r} [kN]	[kg]	d [mm]
48,0	-	M6x1	60,0	80,0	P207	UC207	CO	CC	25,70	15,20	1,8	35
48,0	-	M6x1	60,0	80,0	P207	US207	CO	CC	25,70	15,20	1,7	
-	55,6	M6x1	***	***	P207	ES207	***	***	25,70	15,20	1,8	
-	55,6	M6x1	***	***	P207	EX207	***	***	25,70	15,20	1,9	
-	58,0	M6x1	69,0	88,0	P208	UK208 + H2308	CO	CC	29,60	18,20	2,2	
48,9	-	M6x1	-	-	P307	UC307	-	-	33,50	19,20	2,6	
-	55,0	M6x1	-	-	P307	EX307	-	-	33,50	19,20	2,7	
-	58,0	M6x1	-	-	P308	UK308 + H2308	-	-	40,56	24,00	3,4	
53,0	-	M6x1	69,0	88,0	P208	UC208	CO	CC	29,60	18,20	2,1	40
53,0	-	M6x1	69,0	88,0	P208	US208	CO	CC	29,60	18,20	2,1	
-	60,3	M6x1	***	***	P208	ES208	***	***	29,60	18,20	2,1	
-	60,3	M6x1	***	***	P208	EX208	***	***	29,60	18,20	2,3	
-	65,0	M6x1	69,0	95,0	P209	UK209 + H2309	CO	CC	31,85	20,80	2,5	
56,5	-	M6x1	-	-	P308	UC308	-	-	40,56	24,00	3,3	
-	63,5	M6x1	-	-	P308	EX308	-	-	40,56	24,00	3,5	
-	65,0	M6x1	-	-	P309	UK309 + H2309	-	-	53,00	31,80	4,8	
57,2	-	M6x1	69,0	95,0	P209	UC209	CO	CC	31,85	20,80	2,4	45
57,2	-	M6x1	69,0	95,0	P209	US209	CO	CC	31,85	20,80	2,4	
-	63,5	M6x1	***	***	P209	ES209	***	***	31,85	20,80	2,4	
-	63,5	M6x1	***	***	P209	EX209	***	***	31,85	20,80	2,6	
-	70,0	M6x1	76,0	100,0	P210	UK210 + H2310	CO	CC	35,10	23,20	3,1	
61,8	-	M6x1	-	-	P309	UC309	-	-	53,00	31,80	4,6	
-	70,0	M6x1	-	-	P309	EX309	-	-	53,00	31,80	4,7	
-	70,0	M6x1	-	-	P310	UK310 + H2310	-	-	62,00	37,80	6,2	
61,8	-	M6x1	76,0	100,0	P210	UC210	CO	CC	35,10	23,20	3,0	50
61,8	-	M6x1	76,0	100,0	P210	US210	CO	CC	35,10	23,20	2,9	
-	69,9	M6x1	***	***	P210	ES210	***	***	35,10	23,20	3,0	
-	69,9	M6x1	***	***	P210	EX210	***	***	35,10	23,20	3,2	
-	75,0	M6x1	77,0	110,0	P211	UK211 + H2311	CO	CC	43,55	29,20	3,7	
68,7	-	M6x1	-	-	P310	UC310	-	-	62,00	37,80	6,1	
-	76,2	M6x1	-	-	P310	EX310	-	-	62,00	37,80	6,3	
-	75,0	M6x1	-	-	P311	UK311 + H2311	-	-	71,50	44,80	7,9	

* = Equipped with two open protective caps for passing shafts: Suffix CO see example on page 6

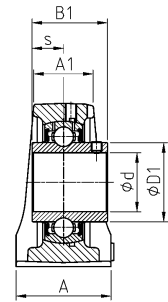
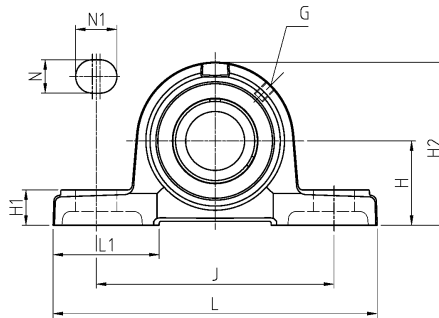
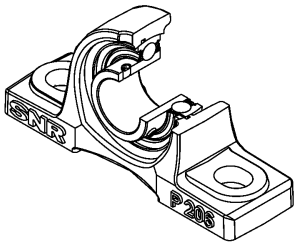
** = Equipped with one open and one closed protective cap for shaft ends: Suffix CC see example on page 6

*** = Protective caps for bearing inserts with eccentric locking collar available on request.



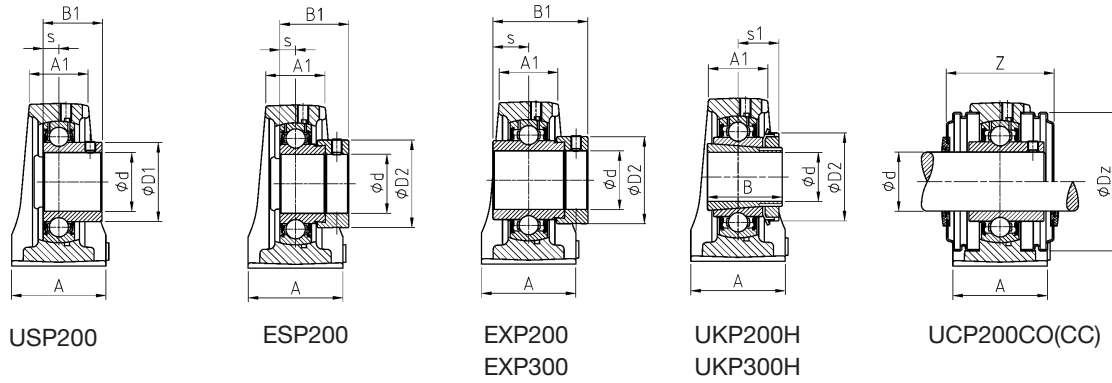
Housing

P200 relubricatable
P300 relubricatable



UCP200
UCP300

Shaft diameter		Unit		Main dimensions [mm]												
d [mm]		L	H	A1	A	J	N	N1	L1	H1	H2	s1	B	B1	s	
55	UCP211	219	63,5	40	60	171	20	25	70	22	126	-	-	55,6	22,2	
	USP211	219	63,5	40	60	171	20	25	70	22	126	-	-	45,3	11,8	
	ESP211	219	63,5	40	60	171	20	25	70	22	126	-	-	48,4	12,0	
	EXP211	219	63,5	40	60	171	20	25	70	22	126	-	-	71,3	27,7	
	UKP212H	241	69,8	44	70	184	20	25	70	25	138	31,0	62,0	-	-	
	UCP311	310	80,0	51	80	236	20	38	85	30	154	-	-	66,0	25,0	
	EXP311	310	80,0	51	80	236	20	38	85	30	154	-	-	73,0	27,8	
	UKP312H	330	85,0	54	85	250	25	38	95	32	165	36,5	62,0	-	-	
60	UCP212	241	69,8	44	70	184	20	25	70	25	138	-	-	65,1	25,4	
	USP212	241	69,8	44	70	184	20	25	70	25	138	-	-	53,7	14,9	
	ESP212	241	69,8	44	70	184	20	25	70	25	138	-	-	49,3	12,0	
	EXP212	241	69,8	44	70	184	20	25	70	25	138	-	-	77,7	30,9	
	UKP213H	265	76,2	46	70	203	25	29	77	27	150	32,0	65,0	-	-	
	UCP312	330	85,0	54	85	250	25	38	95	32	165	-	-	71,0	26,0	
	EXP312	330	85,0	54	85	250	25	38	95	32	165	-	-	79,4	31,0	
	UKP313H	340	90,0	57	90	260	25	38	105	33	176	38,5	65,0	-	-	
65	UCP213	265	76,2	46	70	203	25	29	77	27	150	-	-	65,1	25,4	
	EXP213	265	76,2	46	70	203	25	29	77	27	150	-	-	85,7	34,1	
	UKP215H	275	82,6	48	74	217	25	31	85	28	163	35,5	73,0	-	-	
	UCP313	340	90,0	57	90	260	25	38	105	33	176	-	-	75,0	30,0	
	EXP313	340	90,0	57	90	260	25	38	105	33	176	-	-	85,7	32,5	
	UKP315H	380	100,0	63	100	290	27	40	110	35	198	42,5	73,0	-	-	
70	UCP214	266	79,4	48	72	210	25	31	83	27	156	-	-	74,6	30,2	
	EXP214	266	79,4	48	72	210	25	31	83	27	156	-	-	85,7	34,1	
	UKP216H	292	88,9	51	78	232	25	31	91	30	175	39,0	78,0	-	-	
	UCP314	360	95,0	60	90	280	27	40	105	35	187	-	-	78,0	33,0	
	EXP314	360	95,0	60	90	280	27	40	105	35	187	-	-	92,1	34,2	
	UKP316H	400	106,0	66	110	300	27	40	110	40	210	44,5	78,0	-	-	
75	UCP215	275	82,6	48	74	217	25	31	85	28	163	-	-	77,8	33,3	
	EXP215	275	82,6	48	74	217	25	31	85	28	163	-	-	92,1	37,3	
	UKP217H	310	95,2	53	83	247	25	31	96	32	187	40,0	82,0	-	-	
	UCP315	380	100,0	63	100	290	27	40	110	35	198	-	-	82,0	32,0	
	EXP315	380	100,0	63	100	290	27	40	110	35	198	-	-	100,0	37,3	
	UKP317H	420	112,0	69	110	320	33	45	120	40	220	48,0	82,0	-	-	



USP200

ESP200

EXP200
EXP300UKP200H
UKP300H

UCP200CO(CC)

					Housing	Bearing insert	Open protec- tive caps *	Closed protec- tive caps **	Dynamic load rating	Static load rating	Weight	Shaft diameter
D1	D2	G	Z	Dz					C _r [kN]	C _{or} [kN]	[kg]	d [mm]
69,0	-	M6x1	77,0	110,0	P211	UC211	CO	CC	43,55	29,20	3,7	55
69,0	-	M6x1	77,0	110,0	P211	US211	CO	CC	43,55	29,20	3,6	
-	76,2	M6x1	***	***	P211	ES211	***	***	43,55	29,20	3,4	
-	76,2	M6x1	***	***	P211	EX211	***	***	43,55	29,20	3,9	
-	80,0	M6x1	89,0	120,0	P212	UK212 + H2312	CO	CC	52,50	32,80	5,0	
74,9	-	M6x1	-	-	P311	UC311	-	-	71,50	44,80	7,6	60
-	83,0	M6x1	-	-	P311	EX311	-	-	71,50	44,80	8,0	
-	80,0	M6x1	-	-	P312	UK312 + H2312	-	-	81,60	51,80	9,5	
74,9	-	M6x1	89,0	120,0	P212	UC212	CO	CC	52,50	32,80	5,0	
74,9	-	M6x1	89,0	120,0	P212	US212	CO	CC	52,50	32,80	4,8	
-	84,2	M6x1	***	***	P212	ES212	***	***	52,50	32,80	4,7	
-	84,2	M6x1	***	***	P212	EX212	***	***	52,50	32,80	5,4	
-	85,0	M6x1	89,0	132,0	P213	UK213 + H2313	CO	CC	57,20	40,00	6,1	65
81,0	-	M6x1	-	-	P312	UC312	-	-	81,60	51,80	9,5	
-	89,0	M6x1	-	-	P312	EX312	-	-	81,60	51,80	9,8	
-	85,0	M6x1	-	-	P313	UK313 + H2313	-	-	93,86	60,50	11,2	
82,0	-	M6x1	89,0	132,0	P213	UC213	CO	CC	57,20	40,00	6,1	
-	86,0	M6x1	***	***	P213	EX213	***	***	57,20	40,00	6,6	
-	98,0	M10x1	-	-	P215	UK215 + H2315	-	-	66,00	49,50	6,9	70
87,5	-	M6x1	-	-	P313	UC313	-	-	93,86	60,50	11,2	
-	97,0	M6x1	-	-	P313	EX313	-	-	93,86	60,50	11,6	
-	98,0	M10x1	-	-	P315	UK315 + H2315	-	-	113,36	76,80	15,9	
86,5	-	M10x1	-	-	P214	UC214	-	-	62,00	45,00	6,6	
-	96,8	M10x1	-	-	P214	EX214	-	-	62,00	45,00	7,1	
-	105,0	M10x1	-	-	P216	UK216 + H2316	-	-	72,50	54,20	9,4	75
94,0	-	M10x1	-	-	P314	UC314	-	-	104,26	68,00	13,1	
-	102,0	M10x1	-	-	P314	EX314	-	-	104,26	68,00	13,6	
-	105,0	M10x1	-	-	P316	UK316 + H2316	-	-	122,85	86,50	19,2	
91,5	-	M10x1	-	-	P215	UC215	-	-	66,00	49,50	7,3	
-	102,0	M10x1	-	-	P215	EX215	-	-	66,00	49,50	8,0	
-	110,0	M10x1	-	-	P217	UK217 + H2317	-	-	83,20	63,80	11,3	75
100,5	-	M10x1	-	-	P315	UC315	-	-	113,36	76,80	15,2	
-	113,0	M10x1	-	-	P315	EX315	-	-	113,36	76,80	16,2	
-	110,0	M10x1	-	-	P317	UK317 + H2317	-	-	132,60	96,50	21,4	

* = Equipped with two open protective caps for passing shafts: Suffix CO see example on page 6

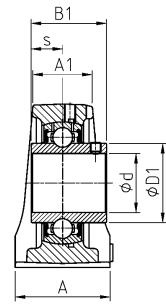
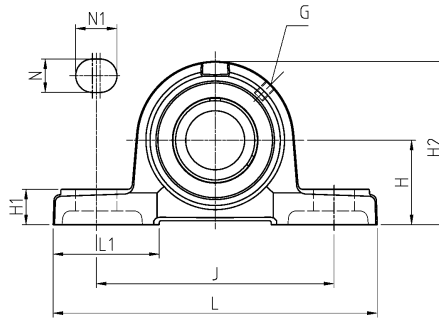
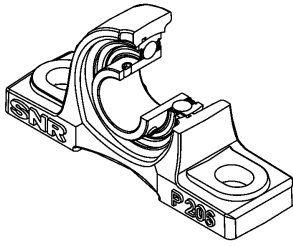
** = Equipped with one open and one closed protective cap for shaft ends: Suffix CC see example on page 6

*** = Protective caps for bearing inserts with eccentric locking collar available on request.

SNR Industry Pillow block unit

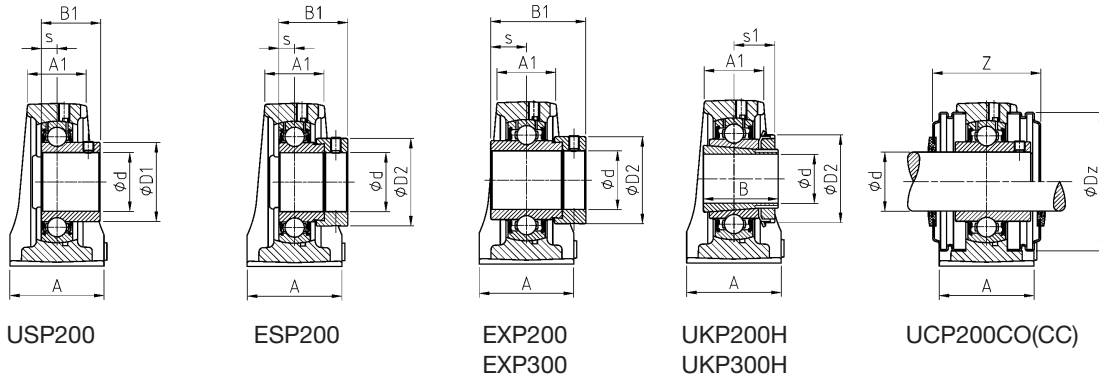
INDUSTRY

Housing P200 relubricatable
P300 relubricatable



UCP200
UCP300

Shaft diameter		Unit		Main dimensions [mm]												
d [mm]		L	H	A1	A	J	N	N1	L1	H1	H2	s1	B	B1	s	
80	UCP216	292	88,9	51	78	232	25	31	91	30	175	-	-	82,6	33,3	
	EXP216	292	88,9	51	78	232	25	31	91	30	175	-	-	95,2	37,3	
	UKP218H	327	101,6	55	88	262	27	33	100	34	200	42,0	86,0	-	-	
	UCP316	400	106,0	66	110	300	27	40	110	40	210	-	-	86,0	34,0	
	EXP316	400	106,0	66	110	300	27	40	110	40	210	-	-	106,4	40,5	
	UKP318H	430	118,0	72	110	330	33	45	120	45	235	48,0	86,0	-	-	
85	UCP217	310	95,2	53	83	247	25	31	96	32	187	-	-	85,7	34,1	
	EXP217	310	95,2	53	83	247	25	31	96	32	187	-	-	73,2	23,4	
	UCP317	420	112,0	69	110	320	33	45	120	40	220	-	-	96,0	40,0	
	EXP317	420	112,0	69	110	320	33	45	120	40	220	-	-	109,5	42,0	
	UKP319H	470	125,0	75	120	360	36	50	125	45	250	52,0	90,0	-	-	
90	UCP218	327	101,6	55	88	262	27	33	100	34	200	-	-	96,0	39,7	
	EXP218	327	101,6	55	88	262	27	33	100	34	200	-	-	72,5	24,5	
	UCP318	430	118,0	72	110	330	33	45	120	45	235	-	-	96,0	40,0	
	EXP318	430	118,0	72	110	330	33	45	120	45	235	-	-	115,9	43,6	
	UKP320H	490	140,0	81	120	380	36	50	130	50	275	54,0	97,0	-	-	
95	UCP319	470	125,0	75	120	360	36	50	125	45	250	-	-	103,0	41,0	
	EXP319	470	125,0	75	120	360	36	50	125	45	250	-	-	122,3	46,8	
100	UCP320	490	140,0	81	120	380	36	50	130	50	275	-	-	108,0	42,0	
	EXP320	490	140,0	81	120	380	36	50	130	50	275	-	-	128,6	50,0	
	UKP322H	520	150,0	83	140	400	40	55	135	55	300	61,0	105,0	-	-	
105	UCP321	490	140,0	80	120	380	36	50	130	50	280	-	-	112,0	44,0	
110	UCP322	520	150,0	83	140	400	40	55	135	55	300	-	-	117,0	46,0	
	UKP324H	570	160,0	88	140	450	40	55	140	65	320	65,0	112,0	-	-	
115	UKP326H	600	180,0	94	140	480	40	55	140	75	355	69,0	121,0	-	-	
120	UCP324	570	160,0	88	140	450	40	55	140	65	320	-	-	126,0	51,0	
125	UKP328H	620	200,0	92	140	500	40	55	140	75	390	73,0	131,0	-	-	
130	UCP326	600	180,0	94	140	480	40	55	140	75	355	-	-	135,0	54,0	
140	UCP328	620	200,0	92	140	500	40	55	140	75	390	-	-	145,0	59,0	



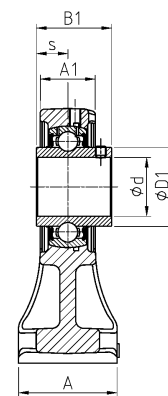
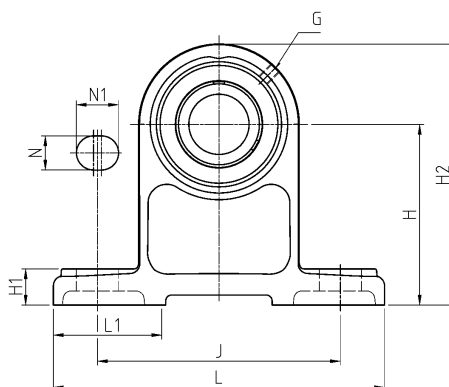
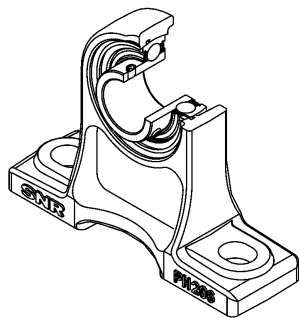
					Housing	Bearing insert	Open protective caps *	Closed protective caps **	Dynamic load rating	Static load rating	Weight	Shaft diameter
D1	D2	G	Z	Dz					C _r [kN]	C _{0r} [kN]	[kg]	d [mm]
98,0	-	M10x1	-	-	P216	UC216	-	-	72,50	54,20	8,9	80
-	110,0	M10x1	-	-	P216	EX216	-	-	72,50	54,20	9,3	
-	120,0	M10x1	-	-	P218	UK218 + H2318	-	-	96,00	71,50	13,7	
107,9	-	M10x1	-	-	P316	UC316	-	-	122,85	86,50	19,0	
-	119,0	M10x1	-	-	P316	EX316	-	-	122,85	86,50	20,1	
-	120,0	M10x1	-	-	P318	UK318 + H2318	-	-	143,00	108,00	25,2	
105,1	-	M10x1	-	-	P217	UC217	-	-	83,20	63,80	10,8	85
-	119,0	M10x1	-	-	P217	EX217	-	-	83,20	63,80	11,2	
114,0	-	M10x1	-	-	P317	UC317	-	-	132,60	96,50	21,4	
-	127,0	M10x1	-	-	P317	EX317	-	-	132,60	96,50	22,5	
-	125,0	M10x1	-	-	P319	UK319 + H2319	-	-	156,00	122,00	30,8	
111,0	-	M10x1	-	-	P218	UC218	-	-	96,00	71,50	13,5	90
-	120,0	M10x1	-	-	P218	EX218	-	-	96,00	71,50	13,9	
120,0	-	M10x1	-	-	P318	UC318	-	-	143,00	108,00	25,1	
-	133,0	M10x1	-	-	P318	EX318	-	-	143,00	108,00	26,3	
-	130,0	M10x1	-	-	P320	UK320 + H2320	-	-	171,60	140,00	37,8	
126,5	-	M10x1	-	-	P319	UC319	-	-	156,00	122,00	30,5	95
-	140,0	M10x1	-	-	P319	EX319	-	-	156,00	122,00	32,0	
134,5	-	M10x1	-	-	P320	UC320	-	-	171,60	140,00	38,1	100
-	146,0	M10x1	-	-	P320	EX320	-	-	171,60	140,00	39,9	
-	145,0	M10x1	-	-	P322	UK322 + H2322	-	-	205,00	178,00	51,3	
140,5	-	M10x1	-	-	P321	UC321	-	-	182,00	155,00	38,5	105
149,0	-	M10x1	-	-	P322	UC322	-	-	205,00	178,00	47,9	110
-	155,0	M10x1	-	-	P324	UK324 + H2324	-	-	228,00	208,00	61,5	
-	165,0	M10x1	-	-	P326	UK326 + H2326	-	-	252,00	242,00	79,9	115
163,0	-	M10x1	-	-	P324	UC324	-	-	228,00	208,00	58,8	120
-	180,0	M10x1	-	-	P328	UK328 + H2328	-	-	275,00	272,00	96,3	125
177,0	-	M10x1	-	-	P326	UC326	-	-	252,00	242,00	75,0	130
190,0	-	M10x1	-	-	P328	UC328	-	-	275,00	272,00	90,4	140

* = Equipped with two open protective caps for passing shafts: Suffix CO see example on page 6

** = Equipped with one open and one closed protective cap for shaft ends: Suffix CC see example on page 6

*** = Protective caps for bearing inserts with eccentric locking collar available on request.

Housing PH200 relubricatable

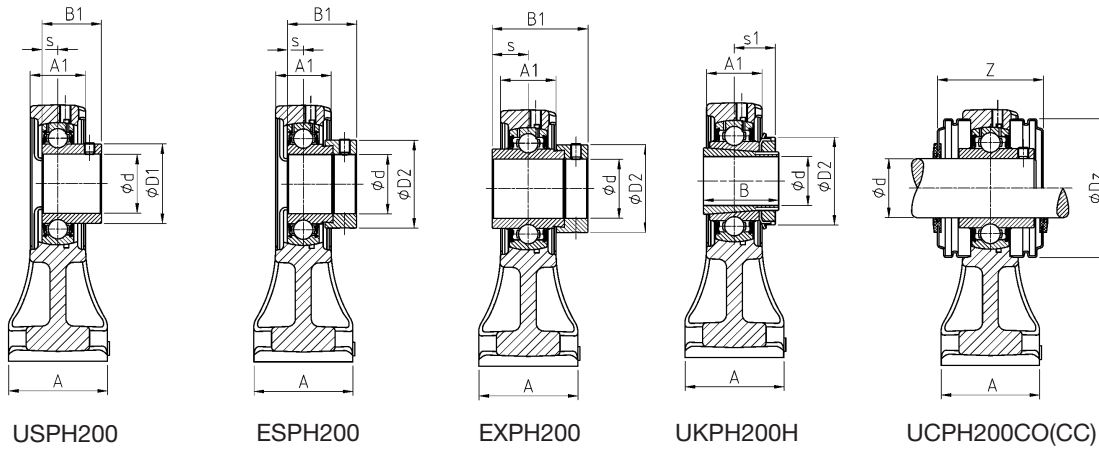


UCPH200

Shaft diameter
Unit

Main dimensions [mm]

d [mm]	Unit	L	H	A1	A	J	N	N1	L1	H1	H2	s1	B	B1	s
12	UCPH201	127	70	22	40	95	13	19	48	15	101	-	-	31,0	12,7
	USPH201	127	70	19	38	95	12	16	48	13	97	-	-	22,0	6,0
	ESPH201	127	70	19	38	95	12	16	48	13	97	-	-	28,6	6,5
	EXPH201	127	70	22	40	95	13	19	48	15	101	-	-	43,5	17,0
15	UCPH202	127	70	22	40	95	13	19	48	15	101	-	-	31,0	12,7
	USPH202	127	70	19	38	95	12	16	48	13	97	-	-	22,0	6,0
	ESPH202	127	70	19	38	95	12	16	48	13	97	-	-	28,6	6,5
	EXPH202	127	70	22	40	95	13	19	48	15	101	-	-	43,5	17,0
17	UCPH203	127	70	22	40	95	13	19	48	15	101	-	-	31,0	12,7
	USPH203	127	70	19	38	95	12	16	48	13	97	-	-	22,0	6,0
	ESPH203	127	70	19	38	95	12	16	48	13	97	-	-	28,6	6,5
	EXPH203	127	70	22	40	95	13	19	48	15	101	-	-	43,5	17,0
20	UCPH204	127	70	22	40	95	13	19	48	15	101	-	-	31,0	12,7
	USPH204	127	70	22	40	95	13	19	48	15	101	-	-	25,0	7,0
	ESPH204	127	70	22	40	95	13	19	48	15	101	-	-	30,9	7,5
	EXPH204	127	70	22	40	95	13	19	48	15	101	-	-	43,5	17,0
	UKPH205H	140	80	24	50	105	13	19	50	16	114	18,5	35,0	-	-
25	UCPH205	140	80	24	50	105	13	19	50	16	114	-	-	34,0	14,3
	USPH205	140	80	24	50	105	13	19	50	16	114	-	-	27,0	7,5
	ESPH205	140	80	24	50	105	13	19	50	16	114	-	-	30,9	7,5
	EXPH205	140	80	24	50	105	13	19	50	16	114	-	-	44,3	17,4
	UKPH206H	165	90	28	50	121	17	21	56	18	130	20,5	38,0	-	-
30	UCPH206	165	90	28	50	121	17	21	56	18	130	-	-	38,1	15,9
	USPH206	165	90	28	50	121	17	21	56	18	130	-	-	30,0	8,0
	ESPH206	165	90	28	50	121	17	21	56	18	130	-	-	35,7	9,0
	EXPH206	165	90	28	50	121	17	21	56	18	130	-	-	48,3	18,2
	UKPH207H	167	95	30	60	127	17	21	56	19	140	22,5	43,0	-	-
35	UCPH207	167	95	30	60	127	17	21	56	19	140	-	-	42,9	17,5
	USPH207	167	95	30	60	127	17	21	56	19	140	-	-	32,0	8,5
	ESPH207	167	95	30	60	127	17	21	56	19	140	-	-	38,9	9,5
	EXPH207	167	95	30	60	127	17	21	56	19	140	-	-	51,1	18,8
	UKPH208H	184	100	34	70	137	17	25	58	19	149	24,5	46,0	-	-



USPH200

ESPH200

EXPH200

UKPH200H

UCPH200CO(CC)

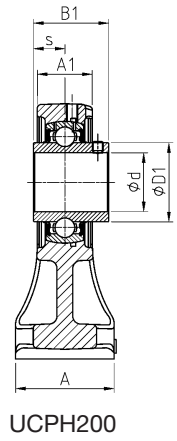
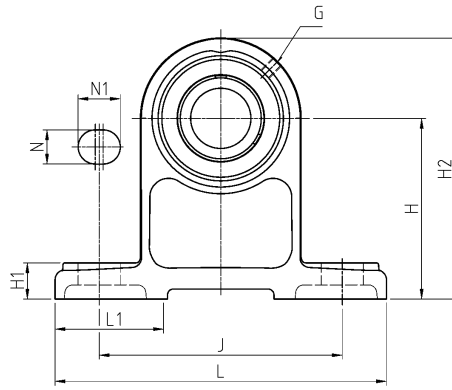
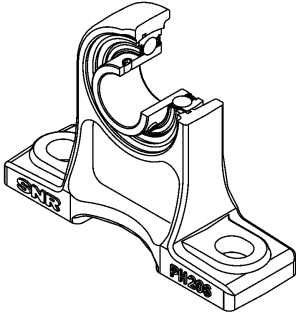
					Housing	Bearing insert	Open protec- tive caps *	Closed protec- tive caps **	Dynamic load rating	Static load rating	Weight	Shaft diameter
D1	D2	G	Z	Dz					C _r [kN]	C _{or} [kN]	[kg]	d [mm]
29,0	-	M6x1	44,6	54,0	PH204	UC201	CO	CC	12,80	6,65	0,9	12
24,6	-	M6x1	40,6	46,0	PH203	US201	CO	CC	9,55	4,78	0,7	
-	28,6	M6x1	***	***	PH203	ES201	***	***	9,55	4,78	0,7	
-	33,3	M6x1	***	***	PH204	EX201	***	***	12,80	6,65	1,0	
29,0	-	M6x1	44,6	54,0	PH204	UC202	CO	CC	12,80	6,65	0,9	15
24,6	-	M6x1	40,6	46,0	PH203	US202	CO	CC	9,55	4,78	0,7	
-	28,6	M6x1	***	***	PH203	ES202	***	***	9,55	4,78	0,7	
-	33,3	M6x1	***	***	PH204	EX202	***	***	12,80	6,65	1,0	
29,0	-	M6x1	44,6	54,0	PH204	UC203	CO	CC	12,80	6,65	0,8	17
24,6	-	M6x1	40,6	46,0	PH203	US203	CO	CC	9,55	4,78	0,7	
-	28,6	M6x1	***	***	PH203	ES203	***	***	9,55	4,78	0,7	
-	33,3	M6x1	***	***	PH204	EX203	***	***	12,80	6,65	1,0	
29,0	-	M6x1	44,6	54,0	PH204	UC204	CO	CC	12,80	6,65	0,9	20
29,0	-	M6x1	44,6	54,0	PH204	US204	CO	CC	12,80	6,65	0,8	
-	33,3	M6x1	***	***	PH204	ES204	***	***	12,80	6,65	0,9	
-	33,3	M6x1	***	***	PH204	EX204	***	***	12,80	6,65	0,9	
-	38,0	M6x1	47,8	60,0	PH205	UK205 + H2305	CO	CC	14,00	7,88	1,2	
34,0	-	M6x1	47,8	60,0	PH205	UC205	CO	CC	14,00	7,88	1,2	25
34,0	-	M6x1	47,8	60,0	PH205	US205	CO	CC	14,00	7,88	1,2	
-	38,1	M6x1	***	***	PH205	ES205	***	***	14,00	7,88	1,2	
-	38,1	M6x1	***	***	PH205	EX205	***	***	14,00	7,88	1,2	
-	45,0	M6x1	52,8	70,0	PH206	UK206 + H2306	CO	CC	19,50	11,20	1,8	
40,3	-	M6x1	52,8	70,0	PH206	UC206	CO	CC	19,50	11,20	1,7	30
40,3	-	M6x1	52,8	70,0	PH206	US206	CO	CC	19,50	11,20	1,7	
-	44,5	M6x1	***	***	PH206	ES206	***	***	19,50	11,20	1,7	
-	44,5	M6x1	***	***	PH206	EX206	***	***	19,50	11,20	1,8	
-	52,0	M6x1	57,4	80,0	PH207	UK207 + H2307	CO	CC	25,70	15,20	2,3	
48,0	-	M6x1	57,4	80,0	PH207	UC207	CO	CC	25,70	15,20	2,2	35
48,0	-	M6x1	57,4	80,0	PH207	US207	CO	CC	25,70	15,20	2,2	
-	55,6	M6x1	***	***	PH207	ES207	***	***	25,70	15,20	2,3	
-	55,6	M6x1	***	***	PH207	EX207	***	***	25,70	15,20	2,4	
-	58,0	M6x1	66,8	88,0	PH208	UK208 + H2308	CO	CC	29,60	18,20	2,9	

* = Equipped with two open protective caps for passing shafts: Suffix CO see example on page 6

** = Equipped with one open and one closed protective cap for shaft ends: Suffix CC see example on page 6

*** = Protective caps for bearing inserts with eccentric locking collar available on request.

Housing PH200 relubricatable

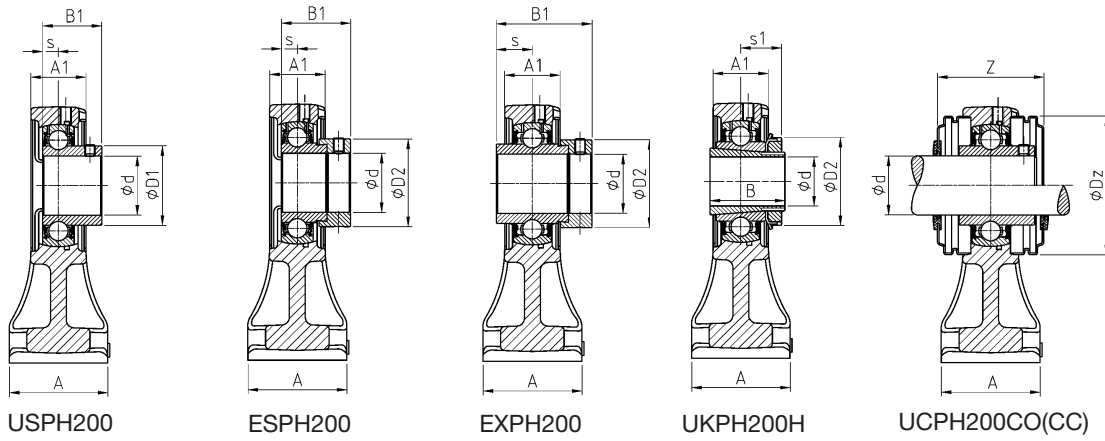


UCPH200

Shaft diameter
Unit

Main dimensions [mm]

d [mm]	Unit	L	H	A1	A	J	N	N1	L1	H1	H2	s1	B	B1	s
40	UCPH208	184	100	34	70	137	17	25	58	19	149	-	-	49,2	19,0
	USPH208	184	100	34	70	137	17	25	58	19	149	-	-	34,0	9,0
	ESPH208	184	100	34	70	137	17	25	58	19	149	-	-	43,7	11,0
	EXPH208	184	100	34	70	137	17	25	58	19	149	-	-	56,3	21,4
	UKPH209H	190	105	36	70	146	17	25	62	20	157	26,0	50,0	-	-
45	UCPH209	190	105	36	70	146	17	25	62	20	157	-	-	49,2	19,0
	USPH209	190	105	36	70	146	17	25	62	20	157	-	-	41,2	10,2
	ESPH209	190	105	36	70	146	17	25	62	20	157	-	-	43,7	11,0
	EXPH209	190	105	36	70	146	17	25	62	20	157	-	-	56,3	21,4
	UKPH210H	206	110	36	70	159	20	25	65	22	165	27,5	55,0	-	-
50	UCPH210	206	110	36	70	159	20	25	65	22	165	-	-	51,6	19,0
	USPH210	206	110	36	70	159	20	25	65	22	165	-	-	43,5	10,9
	ESPH210	206	110	36	70	159	20	25	65	22	165	-	-	43,7	11,0
	EXPH210	206	110	36	70	159	20	25	65	22	165	-	-	62,7	24,6



USPH200

ESPH200

EXPH200

UKPH200H

UCPH200CO(CC)

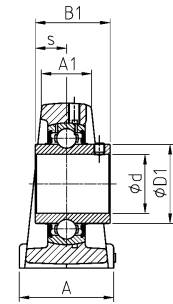
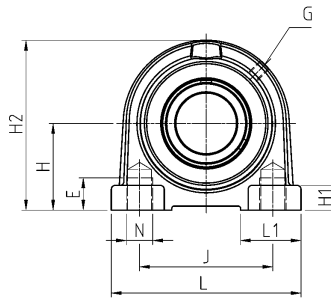
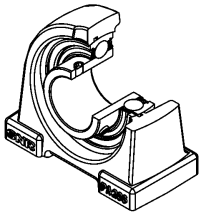
					Housing	Bearing insert	Open protec- tive caps *	Closed protec- tive caps **	Dynamic load rating	Static load rating	Weight	Shaft diameter
D1	D2	G	Z	Dz					C _r [kN]	C _{or} [kN]	[kg]	d [mm]
53,0	-	M6x1	66,8	88,0	PH208	UC208	CO	CC	29,60	18,20	2,8	40
53,0	-	M6x1	66,8	88,0	PH208	US208	CO	CC	29,60	18,20	2,8	
-	60,3	M6x1	***	***	PH208	ES208	***	***	29,60	18,20	2,8	
-	60,3	M6x1	***	***	PH208	EX208	***	***	29,60	18,20	3,0	
-	65,0	M6x1	67,8	95,0	PH209	UK209 + H2309	CO	CC	31,85	20,80	3,3	
57,2	-	M6x1	67,8	95,0	PH209	UC209	CO	CC	31,85	20,80	3,1	45
57,2	-	M6x1	67,8	95,0	PH209	US209	CO	CC	31,85	20,80	3,1	
-	63,5	M6x1	***	***	PH209	ES209	***	***	31,85	20,80	3,1	
-	63,5	M6x1	***	***	PH209	EX209	***	***	31,85	20,80	3,3	
-	70,0	M6x1	74,6	100,0	PH210	UK210 + H2310	CO	CC	35,10	23,20	3,8	
61,8	-	M6x1	74,6	100,0	PH210	UC210	CO	CC	35,10	23,20	3,6	50
61,8	-	M6x1	74,6	100,0	PH210	US210	CO	CC	35,10	23,20	3,6	
-	69,9	M6x1	***	***	PH210	ES210	***	***	35,10	23,20	3,6	
-	69,9	M6x1	***	***	PH210	EX210	***	***	35,10	23,20	3,8	

* = Equipped with two open protective caps for passing shafts: Suffix CO see example on page 6

** = Equipped with one open and one closed protective cap for shaft ends: Suffix CC see example on page 6

*** = Protective caps for bearing inserts with eccentric locking collar available on request.

Housing PAE200 relubricatable

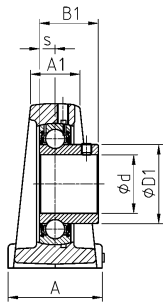


UCPAE200

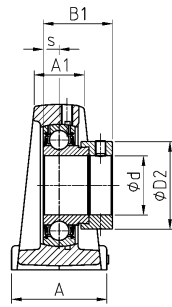
Shaft diameter
Unit

Main dimensions [mm]

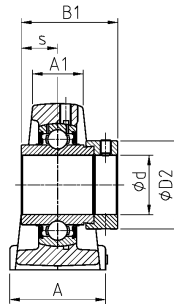
d [mm]		L	L1	H	H1	A1	A	J	N	E	H2	s1	B	B1	s
12	UCPAE201	65	18,0	33,3	9	19	32	50,8	M8	10,0	64	-	-	31,0	12,7
	USPAE201	63	17,5	30,2	9	18	30	47,0	M8	10,0	57	-	-	22,0	6,0
	ESPAE201	63	17,5	30,2	9	18	30	47,0	M8	10,0	57	-	-	28,6	6,5
	EXPAE201	65	18,0	33,3	9	19	32	50,8	M8	10,0	64	-	-	43,5	17,0
15	UCPAE202	65	18,0	33,3	9	19	32	50,8	M8	10,0	64	-	-	31,0	12,7
	USPAE202	63	17,5	30,2	9	18	30	47,0	M8	10,0	57	-	-	22,0	6,0
	ESPAE202	63	17,5	30,2	9	18	30	47,0	M8	10,0	57	-	-	28,6	6,5
	EXPAE202	65	18,0	33,3	9	19	32	50,8	M8	10,0	64	-	-	43,5	17,0
17	UCPAE203	65	18,0	33,3	9	19	32	50,8	M8	10,0	64	-	-	31,0	12,7
	USPAE203	63	17,5	30,2	9	18	30	47,0	M8	10,0	57	-	-	22,0	6,0
	ESPAE203	63	17,5	30,2	9	18	30	47,0	M8	10,0	57	-	-	28,6	6,5
	EXPAE203	65	18,0	33,3	9	19	32	50,8	M8	10,0	64	-	-	43,5	17,0
20	UCPAE204	65	18,0	33,3	9	19	32	50,8	M8	10,0	64	-	-	31,0	12,7
	USPAE204	65	18,0	33,3	9	19	32	50,8	M8	10,0	64	-	-	25,0	7,0
	ESPAE204	65	18,0	33,3	9	19	32	50,8	M8	10,0	64	-	-	30,9	7,5
	EXPAE204	65	18,0	33,3	9	19	32	50,8	M8	10,0	64	-	-	43,5	17,0
	UKPAE205H	70	21,0	36,5	10	21	36	50,8	M10	12,5	70	18,5	35,0	-	-
25	UCPAE205	70	21,0	36,5	10	21	36	50,8	M10	12,5	70	-	-	34,0	14,3
	USPAE205	70	21,0	36,5	10	21	36	50,8	M10	12,5	70	-	-	27,0	7,5
	ESPAE205	70	21,0	36,5	10	21	36	50,8	M10	12,5	70	-	-	30,9	7,5
	EXPAE205	70	21,0	36,5	10	21	36	50,8	M10	12,5	70	-	-	44,3	17,4
	UKPAE206H	98	22,0	42,9	11	25	38	76,2	M10	12,5	82	20,5	38,0	-	-
30	UCPAE206	98	22,0	42,9	11	25	38	76,2	M10	12,5	82	-	-	38,1	15,9
	USPAE206	98	22,0	42,9	11	25	38	76,2	M10	12,5	82	-	-	30,0	8,0
	ESPAE206	98	22,0	42,9	11	25	38	76,2	M10	12,5	82	-	-	35,7	9,0
	EXPAE206	98	22,0	42,9	11	25	38	76,2	M10	12,5	82	-	-	48,3	18,2
	UKPAE207H	103	22,5	47,6	12	27	45	82,6	M10	12,5	93	22,5	43,0	-	-
35	UCPAE207	103	22,5	47,6	12	27	45	82,6	M10	12,5	93	-	-	42,9	17,5
	USPAE207	103	22,5	47,6	12	27	45	82,6	M10	12,5	93	-	-	32,0	8,5
	ESPAE207	103	22,5	47,6	12	27	45	82,6	M10	12,5	93	-	-	38,9	9,5
	EXPAE207	103	22,5	47,6	12	27	45	82,6	M10	12,5	93	-	-	51,1	18,8
	UKPAE208H	116	27,0	49,2	13	30	47	88,9	M12	15,0	99	24,5	46,0	-	-
40	UCPAE208	116	27,0	49,2	13	30	47	88,9	M12	15,0	99	-	-	49,2	19,0
	USPAE208	116	27,0	49,2	13	30	47	88,9	M12	15,0	99	-	-	34,0	9,0
	ESPAE208	116	27,0	49,2	13	30	47	88,9	M12	15,0	99	-	-	43,7	11,0
	EXPAE208	116	27,0	49,2	13	30	47	88,9	M12	15,0	99	-	-	56,3	21,4
	UKPAE209H	120	29,0	53,9	14	32	48	95,3	M12	15,0	107	26,0	50,0	-	-



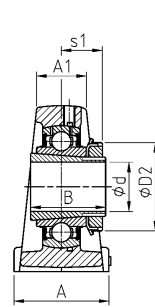
USPAE200



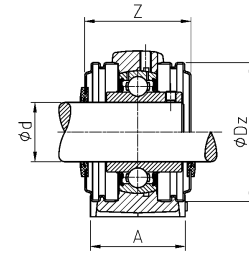
ESPAE200



EXPAE200



UKPAE200H



UCPAE200CO(CC)

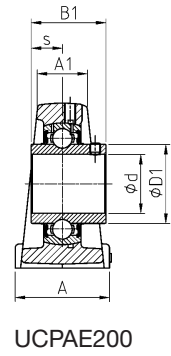
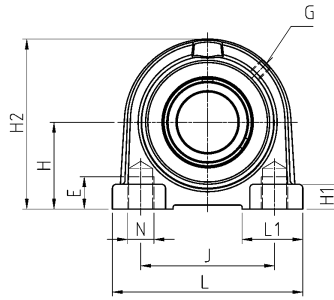
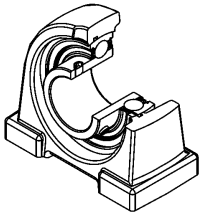
Housing		Bearing insert		Open protective caps*		Closed protective caps**		Dynamic load rating		Static load rating		Weight		Shaft diameter	
D1	D2	G	Z	Dz				C _r	C _{0r}						d
								[kN]	[kN]			[kg]			[mm]
29,0	-	R1/8"	44,6	54,0	PAE204	UC201	CO	CC	12,80	6,65	0,5				12
24,6	-	M6x1	40,6	46,0	PAE203	US201	CO	CC	9,55	4,78	0,3				
-	28,6	M6x1	***	***	PAE203	ES201	***	***	9,55	4,78	0,4				
-	33,3	R1/8"	***	***	PAE204	EX201	***	***	12,80	6,65	0,6				
29,0	-	R1/8"	44,6	54,0	PAE204	UC202	CO	CC	12,80	6,65	0,5				15
24,6	-	M6x1	40,6	46,0	PAE203	US202	CO	CC	9,55	4,78	0,3				
-	28,6	M6x1	***	***	PAE203	ES202	***	***	9,55	4,78	0,4				
-	33,3	R1/8"	***	***	PAE204	EX202	***	***	12,80	6,65	0,6				
29,0	-	R1/8"	44,6	54,0	PAE204	UC203	CO	CC	12,80	6,65	0,4				17
24,6	-	M6x1	40,6	46,0	PAE203	US203	CO	CC	9,55	4,78	0,4				
-	28,6	M6x1	***	***	PAE203	ES203	***	***	9,55	4,78	0,4				
-	33,3	R1/8"	***	***	PAE204	EX203	***	***	12,80	6,65	0,5				
29,0	-	R1/8"	44,6	54,0	PAE204	UC204	CO	CC	12,80	6,65	0,5				20
29,0	-	R1/8"	44,6	54,0	PAE204	US204	CO	CC	12,80	6,65	0,4				
-	33,3	R1/8"	***	***	PAE204	ES204	***	***	12,80	6,65	0,4				
-	33,3	R1/8"	***	***	PAE204	EX204	***	***	12,80	6,65	0,5				
-	38,0	R1/8"	47,8	60,0	PAE205	UK205 + H2305	CO	CC	14,00	7,88	0,6				
34,0	-	R1/8"	47,8	60,0	PAE205	UC205	CO	CC	14,00	7,88	0,6				25
34,0	-	R1/8"	47,8	60,0	PAE205	US205	CO	CC	14,00	7,88	0,6				
-	38,1	R1/8"	***	***	PAE205	ES205	***	***	14,00	7,88	0,6				
-	38,1	R1/8"	***	***	PAE205	EX205	***	***	14,00	7,88	0,6				
-	45,0	R1/8"	52,8	70,0	PAE206	UK206 + H2306	CO	CC	19,50	11,20	1,0				
40,3	-	R1/8"	52,8	70,0	PAE206	UC206	CO	CC	19,50	11,20	1,0				30
40,3	-	R1/8"	52,8	70,0	PAE206	US206	CO	CC	19,50	11,20	0,9				
-	44,5	R1/8"	***	***	PAE206	ES206	***	***	19,50	11,20	1,0				
-	44,5	R1/8"	***	***	PAE206	EX206	***	***	19,50	11,20	1,1				
-	52,0	R1/8"	57,4	80,0	PAE207	UK207 + H2307	CO	CC	25,70	15,20	1,4				
48,0	-	R1/8"	57,4	80,0	PAE207	UC207	CO	CC	25,70	15,20	1,3				35
48,0	-	R1/8"	57,4	80,0	PAE207	US207	CO	CC	25,70	15,20	1,3				
-	55,6	R1/8"	***	***	PAE207	ES207	***	***	25,70	15,20	1,3				
-	55,6	R1/8"	***	***	PAE207	EX207	***	***	25,70	15,20	1,4				
-	58,0	R1/8"	66,8	88,0	PAE208	UK208 + H2308	CO	CC	29,60	18,20	1,7				
53,0	-	R1/8"	66,8	88,0	PAE208	UC208	CO	CC	29,60	18,20	1,6				40
53,0	-	R1/8"	66,8	88,0	PAE208	US208	CO	CC	29,60	18,20	1,6				
-	60,3	R1/8"	***	***	PAE208	ES208	***	***	29,60	18,20	1,6				
-	60,3	R1/8"	***	***	PAE208	EX208	***	***	29,60	18,20	1,8				
-	65,0	R1/8"	67,8	95,0	PAE209	UK209 + H2309	CO	CC	31,85	20,80	2,0				

* = Equipped with two open protective caps for passing shafts: Suffix CO see example on page 6

** = Equipped with one open and one closed protective cap for shaft ends: Suffix CC see example on page 6

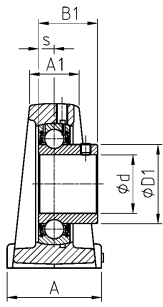
*** = Protective caps for bearing inserts with eccentric locking collar available on request.

Housing PAE200 relubricatable

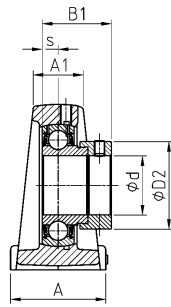


UCPAE200

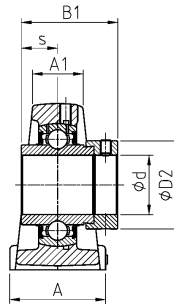
Shaft diameter		Unit		Main dimensions [mm]											
d [mm]		L	L1	H	H1	A1	A	J	N	E	H2	s1	B	B1	s
45	UCPAE209	120	29,0	53,9	14	32	48	95,3	M12	15,0	107	-	-	49,2	19,0
	USPAE209	120	29,0	53,9	14	32	48	95,3	M12	15,0	107	-	-	41,2	10,2
	ESPAE209	120	29,0	53,9	14	32	48	95,3	M12	15,0	107	-	-	43,7	11,0
	EXPAE209	120	29,0	53,9	14	32	48	95,3	M12	15,0	107	-	-	56,3	21,4
	UKPAE210H	135	33,5	57,2	15	34	54	101,6	M16	20,0	115	27,5	55,0	-	-
50	UCPAE210	135	33,5	57,2	15	34	54	101,6	M16	20,0	115	-	-	51,6	19,0
	USPAE210	135	33,5	57,2	15	34	54	101,6	M16	20,0	115	-	-	43,5	10,9
	ESPAE210	135	33,5	57,2	15	34	54	101,6	M16	20,0	115	-	-	43,7	11,0
	EXPAE210	135	33,5	57,2	15	34	54	101,6	M16	20,0	115	-	-	62,7	24,6
	UKPAE211H	150	32,0	64,0	16	35	60	118,0	M16	20,0	125	29,0	59,0	-	-
55	UCPAE211	150	32,0	64,0	16	35	60	118,0	M16	20,0	125	-	-	55,6	22,2
	USPAE211	150	32,0	64,0	16	35	60	118,0	M16	20,0	125	-	-	45,3	11,8
	ESPAE211	150	32,0	64,0	16	35	60	118,0	M16	20,0	125	-	-	48,4	12,0
	EXPAE211	150	32,0	64,0	16	35	60	118,0	M16	20,0	125	-	-	71,3	27,7
	UKPAE212H	150	32,0	69,9	16	42	60	118,0	M16	20,0	140	31,0	62,0	-	-
60	UCPAE212	150	32,0	69,9	16	42	60	118,0	M16	20,0	140	-	-	65,1	25,4
	USPAE212	150	32,0	69,9	16	42	60	118,0	M16	20,0	140	-	-	53,7	14,9
	ESPAE212	150	32,0	69,9	16	42	60	118,0	M16	20,0	140	-	-	49,3	12,0
	EXPAE212	150	32,0	69,9	16	42	60	118,0	M16	20,0	140	-	-	77,7	30,9



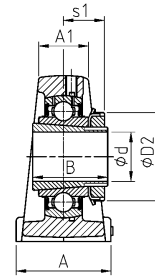
USPAE200



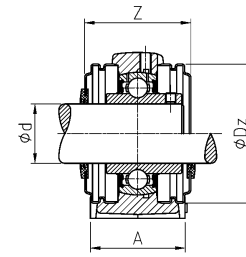
ESPAE200



EXPAE200



UKPAE200H



UCPAE200CO(CC)

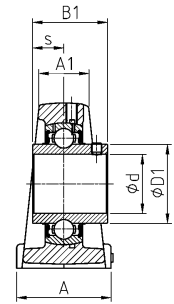
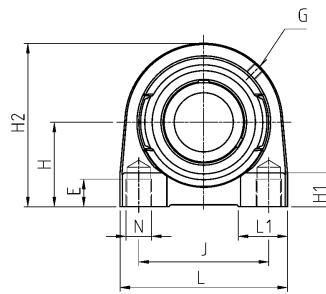
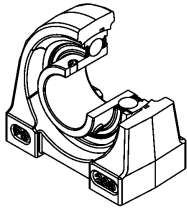
					Housing	Bearing insert	Open protec- tive caps *	Closed protec- tive caps **	Dynamic load rating	Static load rating	Weight	Shaft diameter
D1	D2	G	Z	Dz					C _r [kN]	C _{0r} [kN]	[kg]	d [mm]
57,2	-	R1/8"	67,8	95,0	PAE209	UC209	CO	CC	31,85	20,80	1,9	45
57,2	-	R1/8"	67,8	95,0	PAE209	US209	CO	CC	31,85	20,80	1,9	
-	63,5	R1/8"	***	***	PAE209	ES209	***	***	31,85	20,80	1,9	
-	63,5	R1/8"	***	***	PAE209	EX209	***	***	31,85	20,80	2,1	
-	70,0	R1/8"	74,6	100,0	PAE210	UK210 + H2310	CO	CC	35,10	23,20	2,6	
61,8	-	R1/8"	74,6	100,0	PAE210	UC210	CO	CC	35,10	23,20	2,5	50
61,8	-	R1/8"	74,6	100,0	PAE210	US210	CO	CC	35,10	23,20	2,4	
-	69,9	R1/8"	***	***	PAE210	ES210	***	***	35,10	23,20	2,5	
-	69,9	R1/8"	***	***	PAE210	EX210	***	***	35,10	23,20	2,7	
-	75,0	R1/8"	75,2	110,0	PAE211	UK211 + H2311	CO	CC	43,55	29,20	3,3	
69,0	-	R1/8"	75,2	110,0	PAE211	UC211	CO	CC	43,55	29,20	3,2	55
69,0	-	R1/8"	75,2	110,0	PAE211	US211	CO	CC	43,55	29,20	3,2	
-	76,2	R1/8"	***	***	PAE211	ES211	***	***	43,55	29,20	3,0	
-	76,2	R1/8"	***	***	PAE211	EX211	***	***	43,55	29,20	3,5	
-	80,0	R1/8"	87,8	120,0	PAE212	UK212 + H2312	CO	CC	52,50	32,80	4,0	
74,9	-	R1/8"	87,8	120,0	PAE212	UC212	CO	CC	52,50	32,80	4,0	60
74,9	-	R1/8"	87,8	120,0	PAE212	US212	CO	CC	52,50	32,80	3,8	
-	84,2	R1/8"	***	***	PAE212	ES212	***	***	52,50	32,80	3,7	
-	84,2	R1/8"	***	***	PAE212	EX212	***	***	52,50	32,80	4,4	

* = Equipped with two open protective caps for passing shafts: Suffix CO see example on page 6

** = Equipped with one open and one closed protective cap for shaft ends: Suffix CC see example on page 6

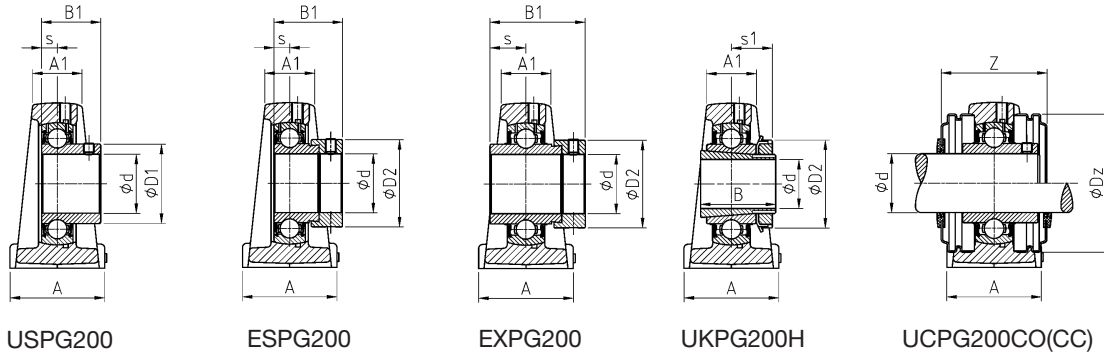
*** = Protective caps for bearing inserts with eccentric locking collar available on request.

Housing PG200 relubricatable



UCPG200

Shaft diameter		Unit		Main dimensions [mm]												
d [mm]		L	H	A1	A	J	N	E	L1	H1	H2	s1	B	B1	s	
12	UCPG201	70	33,3	20	38	49	M8	16	21	14	64	-	-	31,0	12,7	
	USPG201	55	30,2	13	30	38	M6	15	17	14	57	-	-	22,0	6,0	
	ESPG201	55	30,2	13	30	38	M6	15	17	14	57	-	-	28,6	6,5	
	EXPG201	70	33,3	20	38	49	M8	16	21	14	64	-	-	43,5	17,0	
15	UCPG202	70	33,3	20	38	49	M8	16	21	14	64	-	-	31,0	12,7	
	USPG202	55	30,2	13	30	38	M6	15	17	14	57	-	-	22,0	6,0	
	ESPG202	55	30,2	13	30	38	M6	15	17	14	57	-	-	28,6	6,5	
	EXPG202	70	33,3	20	38	49	M8	16	21	14	64	-	-	43,5	17,0	
17	UCPG203	70	33,3	20	38	49	M8	16	21	14	64	-	-	31,0	12,7	
	USPG203	55	30,2	13	30	38	M6	15	17	14	57	-	-	22,0	6,0	
	ESPG203	55	30,2	13	30	38	M6	15	17	14	57	-	-	28,6	6,5	
	EXPG203	70	33,3	20	38	49	M8	16	21	14	64	-	-	43,5	17,0	
20	UCPG204	70	33,3	20	38	49	M8	16	21	14	64	-	-	31,0	12,7	
	USPG204	70	33,3	20	38	49	M8	16	21	14	64	-	-	25,0	7,0	
	ESPG204	70	33,3	20	38	49	M8	16	21	14	64	-	-	30,9	7,5	
	EXPG204	70	33,3	20	38	49	M8	16	21	14	64	-	-	43,5	17,0	
	UKPG205H	75	36,5	25	38	50	M10	18	25	15	70	18,5	35,0	-	-	
25	UCPG205	75	36,5	25	38	50	M10	18	25	15	70	-	-	34,0	14,3	
	USPG205	75	36,5	25	38	50	M10	18	25	15	70	-	-	27,0	7,5	
	ESPG205	75	36,5	25	38	50	M10	18	25	15	70	-	-	30,9	7,5	
	EXPG205	75	36,5	25	38	50	M10	18	25	15	70	-	-	44,3	17,4	
	UKPG206H	85	42,9	25	48	60	M10	18	25	17	83	20,5	38,0	-	-	
30	UCPG206	85	42,9	25	48	60	M10	18	25	17	83	-	-	38,1	15,9	
	USPG206	85	42,9	25	48	60	M10	18	25	17	83	-	-	30,0	8,0	
	ESPG206	85	42,9	25	48	60	M10	18	25	17	83	-	-	35,7	9,0	
	EXPG206	85	42,9	25	48	60	M10	18	25	17	83	-	-	48,3	18,2	
	UKPG207H	100	47,6	27	48	68	M12	22	35	20	93	22,5	43,0	-	-	
35	UCPG207	100	47,6	27	48	68	M12	22	35	20	93	-	-	42,9	17,5	
	USPG207	100	47,6	27	48	68	M12	22	35	20	93	-	-	32,0	8,5	
	ESPG207	100	47,6	27	48	68	M12	22	35	20	93	-	-	38,9	9,5	
	EXPG207	100	47,6	27	48	68	M12	22	35	20	93	-	-	51,1	18,8	
	UKPG208H	110	49,2	30	54	78	M12	22	35	20	98	24,5	46,0	-	-	
40	UCPG208	110	49,2	30	54	78	M12	22	35	20	98	-	-	49,2	19,0	
	USPG208	110	49,2	30	54	78	M12	22	35	20	98	-	-	34,0	9,0	
	ESPG208	110	49,2	30	54	78	M12	22	35	20	98	-	-	43,7	11,0	
	EXPG208	110	49,2	30	54	78	M12	22	35	20	98	-	-	56,3	21,4	
	UKPG209H	120	53,9	33	54	85	M12	22	40	20	106	26,0	50,0	-	-	



USP200

ESP200

EXP200

UKPG200H

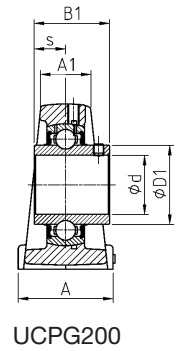
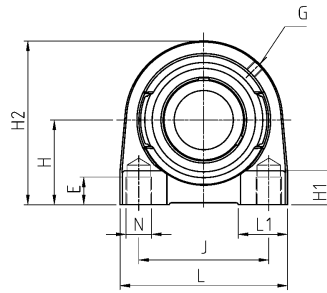
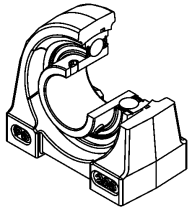
UCPG200CO(CC)

					Housing	Bearing insert	Open protec- tive caps *	Closed protec- tive caps **	Dynamic load rating	Static load rating	Weight	Shaft diameter
D1	D2	G	Z	Dz					C _r [kN]	C _{0r} [kN]	[kg]	d [mm]
29,0	-	M6x1	44,6	54,0	PG204	UC201	CO	CC	12,80	6,65	0,6	12
24,6	-	M6x1	40,6	46,0	PG203	US201	CO	CC	9,55	4,78	0,3	15
-	28,6	M6x1	***	***	PG203	ES201	***	***	9,55	4,78	0,4	
-	33,3	M6x1	***	***	PG204	EX201	***	***	12,80	6,65	0,7	
29,0	-	M6x1	44,6	54,0	PG204	UC202	CO	CC	12,80	6,65	0,6	
24,6	-	M6x1	40,6	46,0	PG203	US202	CO	CC	9,55	4,78	0,3	17
-	28,6	M6x1	***	***	PG203	ES202	***	***	9,55	4,78	0,4	
-	33,3	M6x1	***	***	PG204	EX202	***	***	12,80	6,65	0,7	
29,0	-	M6x1	44,6	54,0	PG204	UC203	CO	CC	12,80	6,65	0,4	
24,6	-	M6x1	40,6	46,0	PG203	US203	CO	CC	9,55	4,78	0,3	20
-	28,6	M6x1	***	***	PG203	ES203	***	***	9,55	4,78	0,4	
-	33,3	M6x1	***	***	PG204	EX203	***	***	12,80	6,65	0,7	
29,0	-	M6x1	44,6	54,0	PG204	UC204	CO	CC	12,80	6,65	0,6	
29,0	-	M6x1	42,6	54,0	PG204	US204	CO	CC	12,80	6,65	0,6	25
-	33,3	M6x1	***	***	PG204	ES204	***	***	12,80	6,65	0,6	
-	33,3	M6x1	***	***	PG204	EX204	***	***	12,80	6,65	0,6	
-	38,0	M6x1	47,8	60,0	PG205	UK205 + H2305	CO	CC	14,00	7,88	0,7	
34,0	-	M6x1	47,8	60,0	PG205	UC205	CO	CC	14,00	7,88	0,7	30
34,0	-	M6x1	47,8	60,0	PG205	US205	CO	CC	14,00	7,88	0,7	
-	38,1	M6x1	***	***	PG205	ES205	***	***	14,00	7,88	0,7	
-	38,1	M6x1	***	***	PG205	EX205	***	***	14,00	7,88	0,7	
-	45,0	M6x1	52,8	70,0	PG206	UK206 + H2306	CO	CC	19,50	11,20	1,1	35
40,3	-	M6x1	52,8	70,0	PG206	UC206	CO	CC	19,50	11,20	1,1	
40,3	-	M6x1	52,8	70,0	PG206	US206	CO	CC	19,50	11,20	1,0	
-	44,5	M6x1	***	***	PG206	ES206	***	***	19,50	11,20	1,1	
-	44,5	M6x1	***	***	PG206	EX206	***	***	19,50	11,20	1,2	40
-	52,0	M6x1	57,4	80,0	PG207	UK207 + H2307	CO	CC	25,70	15,20	1,6	
48,0	-	M6x1	57,4	80,0	PG207	UC207	CO	CC	25,70	15,20	1,5	
48,0	-	M6x1	57,4	80,0	PG207	US207	CO	CC	25,70	15,20	1,5	
-	55,6	M6x1	***	***	PG207	ES207	***	***	25,70	15,20	1,6	40
-	55,6	M6x1	***	***	PG207	EX207	***	***	25,70	15,20	1,7	
-	58,0	M6x1	66,8	88,0	PG208	UK208 + H2308	CO	CC	29,60	18,20	1,9	
53,0	-	M6x1	66,8	88,0	PG208	UC208	CO	CC	29,60	18,20	1,8	
53,0	-	M6x1	66,8	88,0	PG208	US208	CO	CC	29,60	18,20	1,8	40
-	60,3	M6x1	***	***	PG208	ES208	***	***	29,60	18,20	1,8	
-	60,3	M6x1	***	***	PG208	EX208	***	***	29,60	18,20	2,0	
-	65,0	M6x1	67,8	95,0	PG209	UK209 + H2309	CO	CC	31,85	20,80	2,3	

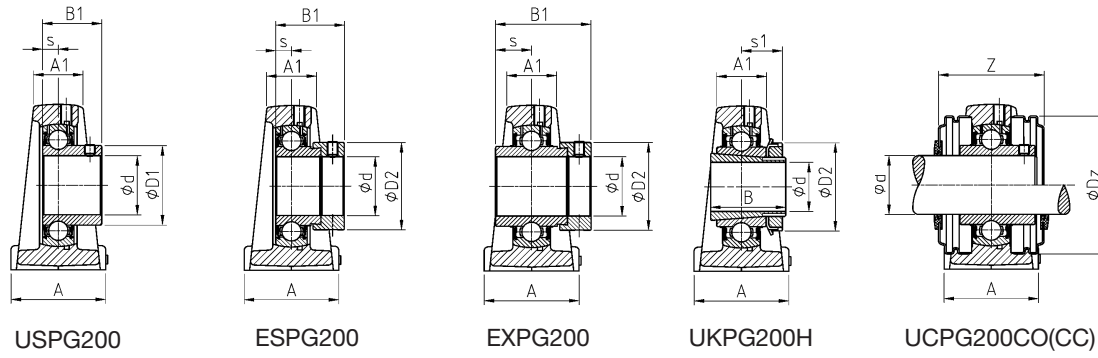
* = Equipped with two open protective caps for passing shafts: Suffix CO see example on page 6

** = Equipped with one open and one closed protective cap for shaft ends: Suffix CC see example on page 6

*** = Protective caps for bearing inserts with eccentric locking collar available on request.



Shaft diameter		Unit		Main dimensions [mm]											
d [mm]		L	H	A1	A	J	N	E	L1	H1	H2	s1	B	B1	s
45	UCPG209	120	53,9	33	54	85	M12	22	40	20	106	-	-	49,2	19,0
	USPG209	120	53,9	33	54	85	M12	22	40	20	106	-	-	41,2	10,2
	ESPG209	120	53,9	33	54	85	M12	22	40	20	106	-	-	43,7	11,0
	EXPG209	120	53,9	33	54	85	M12	22	40	20	106	-	-	56,3	21,4
	UKPG210H	135	57,2	35	60	95	M16	25	40	21	114	27,5	55,0	-	-
50	UCPG210	135	57,2	35	60	95	M16	25	40	21	114	-	-	51,6	19,0
	USPG210	135	57,2	35	60	95	M16	25	40	21	114	-	-	43,5	10,9
	ESPG210	135	57,2	35	60	95	M16	25	40	21	114	-	-	43,7	11,0
	EXPG210	135	57,2	35	60	95	M16	25	40	21	114	-	-	62,7	24,6
	UKPG211H	140	63,5	34	60	100	M16	25	40	25	126	29,0	59,0	-	-
55	UCPG211	140	63,5	34	60	100	M16	25	40	25	126	-	-	55,6	22,2
	USPG211	140	63,5	34	60	100	M16	25	40	25	126	-	-	45,3	11,8
	ESPG211	140	63,5	34	60	100	M16	25	40	25	126	-	-	48,4	12,0
	EXPG211	140	63,5	34	60	100	M16	25	40	25	126	-	-	71,3	27,7
	UKPG212H	150	69,8	40	70	105	M16	25	50	25	138	31,0	62,0	-	-
60	UCPG212	150	69,8	40	70	105	M16	25	50	25	138	-	-	65,1	25,4
	USPG212	150	69,8	40	70	105	M16	25	50	25	138	-	-	53,7	14,9
	ESPG212	150	69,8	40	70	105	M16	25	50	25	138	-	-	49,3	12,0
	EXPG212	150	69,8	40	70	105	M16	25	50	25	138	-	-	77,7	30,9

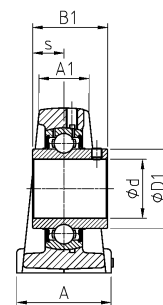
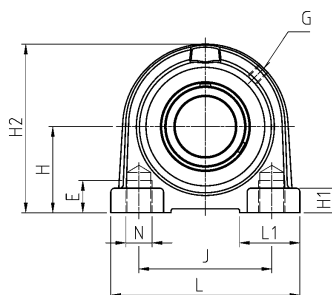
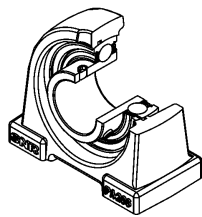


					Housing	Bearing insert	Open protec- tive caps *	Closed protec- tive caps **	Dynamic load rating	Static load rating	Weight	Shaft diameter
D1	D2	G	Z	Dz					C _r [kN]	C _{or} [kN]	[kg]	d [mm]
57,2	-	M6x1	67,8	95,0	PG209	UC209	CO	CC	31,85	20,80	2,2	45
57,2	-	M6x1	67,8	95,0	PG209	US209	CO	CC	31,85	20,80	2,1	45
-	63,5	M6x1	***	***	PG209	ES209	***	***	31,85	20,80	2,2	45
-	63,5	M6x1	***	***	PG209	EX209	***	***	31,85	20,80	2,4	45
-	70,0	M6x1	74,6	100,0	PG210	UK210 + H2310	CO	CC	35,10	23,20	2,9	45
61,8	-	M6x1	74,6	100,0	PG210	UC210	CO	CC	35,10	23,20	2,8	50
61,8	-	M6x1	74,6	100,0	PG210	US210	CO	CC	35,10	23,20	2,8	50
-	69,9	M6x1	***	***	PG210	ES210	***	***	35,10	23,20	2,8	50
-	69,9	M6x1	***	***	PG210	EX210	***	***	35,10	23,20	3,0	50
-	75,0	M6x1	75,2	110,0	PG211	UK211 + H2311	CO	CC	43,55	29,20	3,5	50
69,0	-	M6x1	75,2	110,0	PG211	UC211	CO	CC	43,55	29,20	3,5	55
69,0	-	M6x1	75,2	110,0	PG211	US211	CO	CC	43,55	29,20	3,4	55
-	76,2	M6x1	***	***	PG211	ES211	***	***	43,55	29,20	3,2	55
-	76,2	M6x1	***	***	PG211	EX211	***	***	43,55	29,20	3,7	55
-	80,0	M6x1	87,8	120,0	PG212	UK212 + H2312	CO	CC	52,50	32,80	4,7	60
74,9	-	M6x1	87,8	120,0	PG212	UC212	CO	CC	52,50	32,80	4,7	60
74,9	-	M6x1	87,8	120,0	PG212	US212	CO	CC	52,50	32,80	4,5	60
-	84,2	M6x1	***	***	PG212	ES212	***	***	52,50	32,80	4,4	60
-	84,2	M6x1	***	***	PG212	EX212	***	***	52,50	32,80	5,0	60

* = Equipped with two open protective caps for passing shafts: Suffix CO see example on page 6

** = Equipped with one open and one closed protective cap for shaft ends: Suffix CC see example on page 6

*** = Protective caps for bearing inserts with eccentric locking collar available on request.

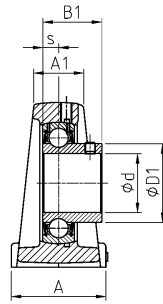


UCPA200

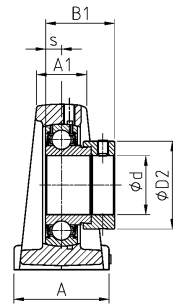
Shaft diameter
Unit

Main dimensions [mm]

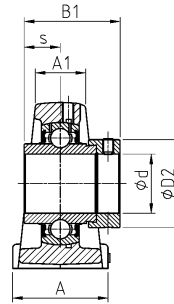
d [mm]	Unit	L	H	A1	A	J	N	E	L1	H1	H2	s1	B	B1	s
12	UCPA201	76	30,2	22	40	52	M10	13	22	11	62	-	-	31,0	12,7
	USPA201	70	30,2	19	36	48	M8	9	20	10	57	-	-	22,0	6,0
	ESPA201	70	30,2	19	36	48	M8	9	20	10	57	-	-	28,6	6,5
	EXPA201	76	30,2	22	40	52	M10	13	22	11	62	-	-	43,5	17,0
15	UCPA202	76	30,2	22	40	52	M10	13	22	11	62	-	-	31,0	12,7
	USPA202	70	30,2	19	36	48	M8	9	20	10	57	-	-	22,0	6,0
	ESPA202	70	30,2	19	36	48	M8	9	20	10	57	-	-	28,6	6,5
	EXPA202	76	30,2	22	40	52	M10	13	22	11	62	-	-	43,5	17,0
17	UCPA203	76	30,2	22	40	52	M10	13	22	11	62	-	-	31,0	12,7
	USPA203	70	30,2	19	36	48	M8	9	20	10	57	-	-	22,0	6,0
	ESPA203	70	30,2	19	36	48	M8	9	20	10	57	-	-	28,6	6,5
	EXPA203	76	30,2	22	40	52	M10	13	22	11	62	-	-	43,5	17,0
20	UCPA204	76	30,2	22	40	52	M10	13	22	11	62	-	-	31,0	12,7
	USPA204	76	30,2	22	40	52	M10	13	22	11	62	-	-	25,0	7,0
	ESPA204	76	30,2	22	40	52	M10	13	22	11	62	-	-	30,9	7,5
	EXPA204	76	30,2	22	40	52	M10	13	22	11	62	-	-	43,5	17,0
	UKPA205H	84	36,5	23	38	56	M10	15	27	12	72	18,5	35,0	-	-
25	UCPA205	84	36,5	23	38	56	M10	15	27	12	72	-	-	34,0	14,3
	USPA205	84	36,5	23	38	56	M10	15	27	12	72	-	-	27,0	7,5
	ESPA205	84	36,5	23	38	56	M10	15	27	12	72	-	-	30,9	7,5
	EXPA205	84	36,5	23	38	56	M10	15	27	12	72	-	-	44,3	17,4
	UKPA206H	94	42,9	25	48	66	M14	18	30	13	84	20,5	38,0	-	-
30	UCPA206	94	42,9	25	48	66	M14	18	30	13	84	-	-	38,1	15,9
	USPA206	94	42,9	25	48	66	M14	18	30	13	84	-	-	30,0	8,0
	ESPA206	94	42,9	25	48	66	M14	18	30	13	84	-	-	35,7	9,0
	EXPA206	94	42,9	25	48	66	M14	18	30	13	84	-	-	48,3	18,2
	UKPA207H	110	47,6	27	48	80	M14	20	30	13	95	22,5	43,0	-	-
35	UCPA207	110	47,6	27	48	80	M14	20	30	13	95	-	-	42,9	17,5
	USPA207	110	47,6	27	48	80	M14	20	30	13	95	-	-	32,0	8,5
	ESPA207	110	47,6	27	48	80	M14	20	30	13	95	-	-	38,9	9,5
	EXPA207	110	47,6	27	48	80	M14	20	30	13	95	-	-	51,1	18,8
	UKPA208H	116	49,2	28	54	84	M14	20	32	13	100	24,5	46,0	-	-
40	UCPA208	116	49,2	28	54	84	M14	20	32	13	100	-	-	49,2	19,0
	USPA208	116	49,2	28	54	84	M14	20	32	13	100	-	-	34,0	9,0
	ESPA208	116	49,2	28	54	84	M14	20	32	13	100	-	-	43,7	11,0
	EXPA208	116	49,2	28	54	84	M14	20	32	13	100	-	-	56,3	21,4
	UKPA209H	120	54,2	32	60	90	M14	25	42	13	108	26,0	50,0	-	-



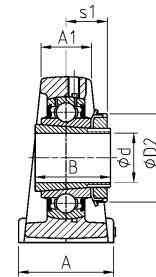
USA200



ESPA200



EXPA200



UKPA200H

D1	D2	G	Z	Dz	Housing	Bearing insert	Open protective cap*	Closed protective cap**	Dynamic load rating	Static load rating	Weight	Shaft diameter
									C_r [kN]	C_{or} [kN]	[kg]	d [mm]
29,0	-	M6x1	45,6	54	PA204	UC201	CO	CC	12,80	6,65	0,6	12
24,6	-	M6x1	42,6	46	PA203	US201	CO	CC	9,55	4,78	0,4	12
-	28,6	M6x1	64	***	PA203	ES201	***	***	9,55	4,78	0,4	
-	33,3	M6x1	56	***	PA204	EX201	***	***	12,80	6,65	0,7	
29,0	-	M6x1	45,6	54	PA204	UC202	CO	CC	12,80	6,65	0,6	
24,6	-	M6x1	42,6	46	PA203	US202	CO	CC	9,55	4,78	0,4	15
-	28,6	M6x1	64	***	PA203	ES202	***	***	9,55	4,78	0,4	
-	33,3	M6x1	56	***	PA204	EX202	***	***	12,80	6,65	0,6	
29,0	-	M6x1	45,6	54	PA204	UC203	CO	CC	12,80	6,65	0,5	
24,6	-	M6x1	42,6	46	PA203	US203	CO	CC	9,55	4,78	0,4	17
-	28,6	M6x1	64	***	PA203	ES203	***	***	9,55	4,78	0,4	
-	33,3	M6x1	56	***	PA204	EX203	***	***	12,80	6,65	0,6	
29,0	-	M6x1	45,6	54	PA204	UC204	CO	CC	12,80	6,65	0,5	
29,0	-	M6x1	45,6	54	PA204	US204	CO	CC	12,80	6,65	0,5	20
-	33,3	M6x1	64	***	PA204	ES204	***	***	12,80	6,65	0,5	
-	33,3	M6x1	64	***	PA204	EX204	***	***	12,80	6,65	0,6	
-	38,0	M6x1	48	60	PA205	UK205 + H2305	CO	CC	14,00	7,88	0,8	
34,0	-	M6x1	48	60	PA205	UC205	CO	CC	14,00	7,88	0,7	25
34,0	-	M6x1	48	60	PA205	US205	CO	CC	14,00	7,88	0,7	25
-	38,1	M6x1	65,2	***	PA205	ES205	***	***	14,00	7,88	0,7	
-	38,1	M6x1	65,2	***	PA205	EX205	***	***	14,00	7,88	0,8	
-	45,0	M6x1	51,8	70	PA206	UK206 + H2306	CO	CC	19,50	11,20	1,1	
40,3	-	M6x1	51,8	70	PA206	UC206	CO	CC	19,50	11,20	1,1	30
40,3	-	M6x1	51,8	70	PA206	US206	CO	CC	19,50	11,20	1,0	30
-	44,5	M6x1	70	***	PA206	ES206	***	***	19,50	11,20	1,1	
-	44,5	M6x1	70	***	PA206	EX206	***	***	19,50	11,20	1,2	
-	52,0	M6x1	60	80	PA207	UK207 + H2307	CO	CC	25,70	15,20	1,5	
48,0	-	M6x1	60	80	PA207	UC207	CO	CC	25,70	15,20	1,5	35
48,0	-	M6x1	60	80	PA207	US207	CO	CC	25,70	15,20	1,4	35
-	55,6	M6x1	78,6	***	PA207	ES207	***	***	25,70	15,20	1,5	
-	55,6	M6x1	78,6	***	PA207	EX207	***	***	25,70	15,20	1,6	
-	58,0	M6x1	68,4	88	PA208	UK208 + H2308	CO	CC	29,60	18,20	1,8	
53,0	-	M6x1	68,4	88	PA208	UC208	CO	CC	29,60	18,20	1,8	40
53,0	-	M6x1	68,4	88	PA208	US208	CO	CC	29,60	18,20	1,7	40
-	60,3	M6x1	80,6	***	PA208	ES208	***	***	29,60	18,20	1,8	
-	60,3	M6x1	80,6	***	PA208	EX208	***	***	29,60	18,20	1,9	
-	65,0	M6x1	70,2	95	PA209	UK209 + H2309	CO	CC	31,85	20,80	2,2	

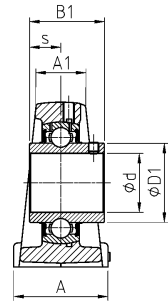
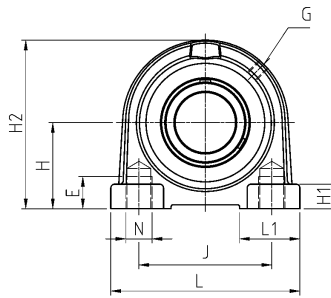
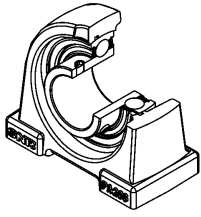
* = Equipped with one open protective caps for passing shafts: Suffix CO see example on page 6

** = Equipped with one closed protective cap for shaft ends: Suffix CC see example on page 6

*** = Protective cap for inserts with eccentric locking collar available on request.

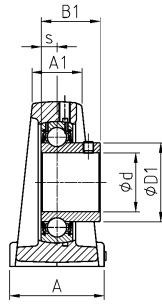
SNR Industry Pillow block unit

Housing PA200 relubricatable

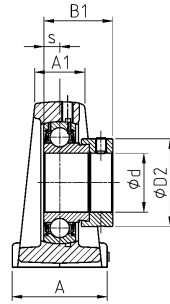


UCPA200

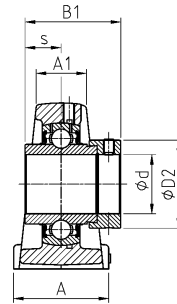
Shaft diameter		Unit		Main dimensions [mm]												
d [mm]		L	H	A1	A	J	N	E	L1	H1	H2	s1	B	B1	s	
45	UCPA209	120	54,2	32	60	90	M14	25	42	13	108	-	-	49,2	19,0	
	USPA209	120	54,2	32	60	90	M14	25	42	13	108	-	-	41,2	10,2	
	ESPA209	120	54,2	32	60	90	M14	25	42	13	108	-	-	43,7	11,0	
	EXPA209	120	54,2	32	60	90	M14	25	42	13	108	-	-	56,3	21,4	
	UKPA210H	130	57,2	32	60	94	M16	25	35	14	116	27,5	55,0	-	-	
50	UCPA210	130	57,2	32	60	94	M16	25	35	14	116	-	-	51,6	19,0	
	USPA210	130	57,2	32	60	94	M16	25	35	14	116	-	-	43,5	10,9	
	ESPA210	130	57,2	32	60	94	M16	25	35	14	116	-	-	43,7	11,0	
	EXPA210	130	57,2	32	60	94	M16	25	35	14	116	-	-	62,7	24,6	
	UKPA211H	140	63,5	33	66	104	M16	25	47	14	125	29,0	59,0	-	-	
55	UCPA211	140	63,5	33	66	104	M16	25	47	14	125	-	-	55,6	22,2	
	USPA211	140	63,5	33	66	104	M16	25	47	14	125	-	-	45,3	11,8	
	ESPA211	140	63,5	33	66	104	M16	25	47	14	125	-	-	48,4	12,0	
	EXPA211	140	63,5	33	66	104	M16	25	47	14	125	-	-	71,3	27,7	
	UKPA212H	150	69,9	36	68	114	M16	25	52	15	138	31,0	62,0	-	-	
60	UCPA212	150	69,9	36	68	114	M16	25	52	15	138	-	-	65,1	25,4	
	USPA212	150	69,9	36	68	114	M16	25	52	15	138	-	-	53,7	14,9	
	ESPA212	150	69,9	36	68	114	M16	25	52	15	138	-	-	49,3	12,0	
	EXPA212	150	69,9	36	68	114	M16	25	52	15	138	-	-	77,7	30,9	



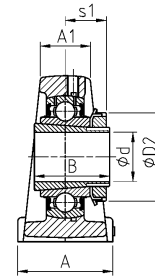
USPA200



ESPA200



EXPA200



UKPA200H

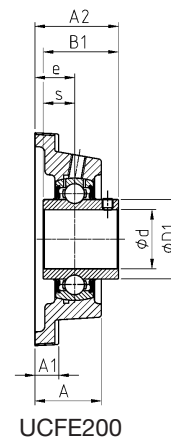
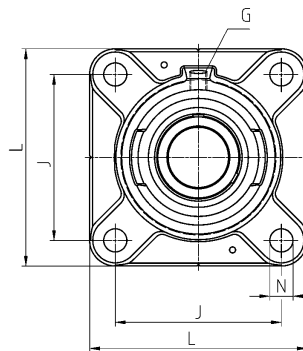
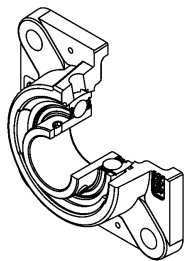
D1	D2	G	Z	Dz			Open protec- tive cap *	Closed protec- tive cap **	Dynamic load rating	Static load rating	Weight	Shaft diameter
					Housing	Bearing insert						
									C_r	C_{or}		d
									[kN]	[kN]	[kg]	[mm]
57,2	-	M6x1	70,2	95	PA209	UC209	CO	CC	31,85	20,80	2,1	45
57,2	-	M6x1	70,2	95	PA209	US209	CO	CC	31,85	20,80	2,1	
-	63,5	M6x1	84,4	***	PA209	ES209	***	***	31,85	20,80	2,1	
-	63,5	M6x1	84,4	***	PA209	EX209	***	***	31,85	20,80	2,3	
-	70,0	M6x1	75,6	100	PA210	UK210 + H2310	CO	CC	35,10	23,20	2,7	
61,8	-	M6x1	75,6	100	PA210	UC210	CO	CC	35,10	23,20	2,6	50
61,8	-	M6x1	75,6	100	PA210	US210	CO	CC	35,10	23,20	2,5	
-	69,9	M6x1	91	***	PA210	ES210	***	***	35,10	23,20	2,6	
-	69,9	M6x1	91	***	PA210	EX210	***	***	35,10	23,20	2,8	
-	75,0	M6x1	77	110	PA211	UK211 + H2311	CO	CC	43,55	29,20	3,3	
69,0	-	M6x1	77	110	PA211	UC211	CO	CC	43,55	29,20	3,2	55
69,0	-	M6x1	77	110	PA211	US211	CO	CC	43,55	29,20	3,1	
-	76,2	M6x1	103,8	***	PA211	ES211	***	***	43,55	29,20	2,9	
-	76,2	M6x1	103,8	***	PA211	EX211	***	***	43,55	29,20	3,5	
-	80,0	M6x1	90	120	PA212	UK212 + H2312	CO	CC	52,50	32,80	4,1	
74,9	-	M6x1	90	120	PA212	UC212	CO	CC	52,50	32,80	4,1	60
74,9	-	M6x1	90	120	PA212	US212	CO	CC	52,50	32,80	3,9	
-	84,2	M6x1	111,2	***	PA212	ES212	***	***	52,50	32,80	3,8	
-	84,2	M6x1	111,2	***	PA212	EX212	***	***	52,50	32,80	4,5	

* = Equipped with one open protective caps for passing shafts: Suffix CO see example on page 6

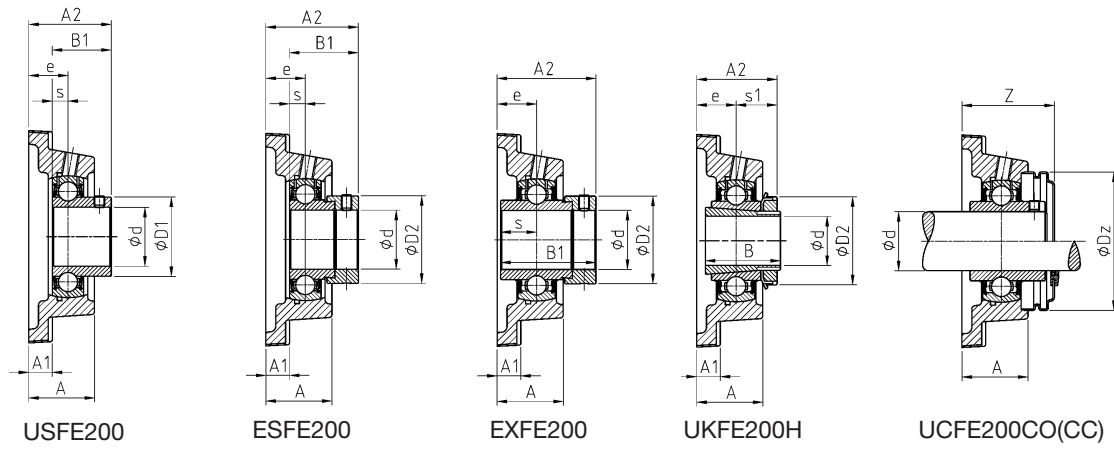
** = Equipped with one closed protective cap for shaft ends: Suffix CC see example on page 6

*** = Protective cap for inserts with eccentric locking collar available on request.

Housing FE200 relubricatable



Shaft diameter		Unit		Main dimensions [mm]										
d [mm]		L	J	A	A1	A2	e	N	s1	B	B1	s	D1	
12	UCFE201	86	63,5	29,5	10,0	37,3	19,0	11,5	-	-	31,0	12,7	29,0	
	USFE201	76	54,0	31,0	9,5	33,0	17,0	11,5	-	-	22,0	6,0	24,6	
	ESFE201	76	54,0	31,0	9,5	39,1	17,0	11,5	-	-	28,6	6,5	-	
	EXFE201	86	63,5	29,5	10,0	45,5	19,0	11,5	-	-	43,5	17,0	-	
15	UCFE202	86	63,5	29,5	10,0	37,3	19,0	11,5	-	-	31,0	12,7	29,0	
	USFE202	76	54,0	31,0	9,5	33,0	17,0	11,5	-	-	22,0	6,0	24,6	
	ESFE202	76	54,0	31,0	9,5	39,1	17,0	11,5	-	-	28,6	6,5	-	
	EXFE202	86	63,5	29,5	10,0	45,5	19,0	11,5	-	-	43,5	17,0	-	
17	UCFE203	86	63,5	29,5	10,0	37,3	19,0	11,5	-	-	31,0	12,7	29,0	
	USFE203	76	54,0	31,0	9,5	33,0	17,0	11,5	-	-	22,0	6,0	24,6	
	ESFE203	76	54,0	31,0	9,5	39,1	17,0	11,5	-	-	28,6	6,5	-	
	EXFE203	86	63,5	29,5	10,0	45,5	19,0	11,5	-	-	43,5	17,0	-	
20	UCFE204	86	63,5	29,5	10,0	37,3	19,0	11,5	-	-	31,0	12,7	29,0	
	USFE204	86	63,5	29,5	10,0	37,0	19,0	11,5	-	-	25,0	7,0	29,0	
	ESFE204	86	63,5	29,5	10,0	42,4	19,0	11,5	-	-	30,9	7,5	-	
	EXFE204	86	63,5	29,5	10,0	45,5	19,0	11,5	-	-	43,5	17,0	-	
	UKFE205H	95	70,0	30,0	11,0	37,5	19,0	11,5	18,5	35,0	-	-	-	
25	UCFE205	95	70,0	30,0	11,0	38,7	19,0	11,5	-	-	34,0	14,3	34,0	
	USFE205	95	70,0	30,0	11,0	38,5	19,0	11,5	-	-	27,0	7,5	34,0	
	ESFE205	95	70,0	30,0	11,0	42,4	19,0	11,5	-	-	30,9	7,5	-	
	EXFE205	95	70,0	30,0	11,0	45,9	19,0	11,5	-	-	44,3	17,4	-	
	UKFE206H	108	82,5	33,5	12,0	40,5	20,0	11,5	20,5	38,0	-	-	-	
30	UCFE206	108	82,5	33,5	12,0	42,2	20,0	11,5	-	-	38,1	15,9	40,3	
	USFE206	108	82,5	33,5	12,0	42,0	20,0	11,5	-	-	30,0	8,0	40,3	
	ESFE206	108	82,5	33,5	12,0	46,7	20,0	11,5	-	-	35,7	9,0	-	
	EXFE206	108	82,5	33,5	12,0	50,1	20,0	11,5	-	-	48,3	18,2	-	
	UKFE207H	118	92,0	36,0	12,5	43,5	21,0	14,0	22,5	43,0	-	-	-	
35	UCFE207	118	92,0	36,0	12,5	46,4	21,0	14,0	-	-	42,9	17,5	48,0	
	USFE207	118	92,0	36,0	12,5	44,5	21,0	14,0	-	-	32,0	8,5	48,0	
	ESFE207	118	92,0	36,0	12,5	50,4	21,0	14,0	-	-	38,9	9,5	-	
	EXFE207	118	92,0	36,0	12,5	53,3	21,0	14,0	-	-	51,1	18,8	-	
	UKFE208H	130	101,5	39,5	13,0	48,5	24,0	14,0	24,5	46,0	-	-	-	
40	UCFE208	130	101,5	39,5	13,0	54,2	24,0	14,0	-	-	49,2	19,0	53,0	
	USFE208	130	101,5	39,5	13,0	49,0	24,0	14,0	-	-	34,0	9,0	53,0	
	ESFE208	130	101,5	39,5	13,0	56,7	24,0	14,0	-	-	43,7	11,0	-	
	EXFE208	130	101,5	39,5	13,0	58,9	24,0	14,0	-	-	56,3	21,4	-	
	UKFE209H	137	105,0	40,0	13,0	50,0	24,0	14,0	26,0	50,0	-	-	-	



				Housing	Bearing insert	Open protec- tive cap *	Closed protec- tive cap **	Dynamic load rating	Static load rating	Weight	Shaft diameter
D2	G	Z	Dz					C _r [kN]	C _{0r} [kN]	[kg]	d [mm]
-	R1/8"	42,8	54,0	FE204	UC201	CO	CC	12,80	6,65	0,7	12
-	M6x1	42,8	46,0	FE203	US201	CO	CC	9,55	4,78	0,4	
28,6	M6x1	***	***	FE203	ES201	***	***	9,55	4,78	0,5	
33,3	R1/8"	***	***	FE204	EX201	***	***	12,80	6,65	0,8	
-	R1/8"	42,8	54,0	FE204	UC202	CO	CC	12,80	6,65	0,7	15
-	M6x1	42,8	46,0	FE203	US202	CO	CC	9,55	4,78	0,4	
28,6	M6x1	***	***	FE203	ES202	***	***	9,55	4,78	0,5	
33,3	R1/8"	***	***	FE204	EX202	***	***	12,80	6,65	0,8	
-	R1/8"	42,8	54,0	FE204	UC203	CO	CC	12,80	6,65	0,5	17
-	M6x1	42,8	46,0	FE203	US203	CO	CC	9,55	4,78	0,4	
28,6	M6x1	***	***	FE203	ES203	***	***	9,55	4,78	0,5	
33,3	R1/8"	***	***	FE204	EX203	***	***	12,80	6,65	0,8	
-	R1/8"	42,8	54,0	FE204	UC204	CO	CC	12,80	6,65	0,7	20
-	R1/8"	42,8	54,0	FE204	US204	CO	CC	12,80	6,65	0,6	
33,3	R1/8"	***	***	FE204	ES204	***	***	12,80	6,65	0,7	
33,3	R1/8"	***	***	FE204	EX204	***	***	12,80	6,65	0,7	
38,0	R1/8"	42,9	60,0	FE205	UK205 + H2305	CO	CC	14,00	7,88	0,8	
-	R1/8"	42,9	60,0	FE205	UC205	CO	CC	14,00	7,88	0,8	25
-	R1/8"	42,9	60,0	FE205	US205	CO	CC	14,00	7,88	0,8	
38,1	R1/8"	***	***	FE205	ES205	***	***	14,00	7,88	0,8	
38,1	R1/8"	***	***	FE205	EX205	***	***	14,00	7,88	0,9	
45,0	R1/8"	46,9	70,0	FE206	UK206 + H2306	CO	CC	19,50	11,20	1,2	
-	R1/8"	46,9	70,0	FE206	UC206	CO	CC	19,50	11,20	1,2	30
-	R1/8"	46,9	70,0	FE206	US206	CO	CC	19,50	11,20	1,1	
44,5	R1/8"	***	***	FE206	ES206	***	***	19,50	11,20	1,2	
44,5	R1/8"	***	***	FE206	EX206	***	***	19,50	11,20	1,3	
52,0	R1/8"	50,2	80,0	FE207	UK207 + H2307	CO	CC	25,70	15,20	1,6	
-	R1/8"	50,2	80,0	FE207	UC207	CO	CC	25,70	15,20	1,6	35
-	R1/8"	50,2	80,0	FE207	US207	CO	CC	25,70	15,20	1,5	
55,6	R1/8"	***	***	FE207	ES207	***	***	25,70	15,20	1,6	
55,6	R1/8"	***	***	FE207	EX207	***	***	25,70	15,20	1,7	
58,0	R1/8"	57,9	88,0	FE208	UK208 + H2308	CO	CC	29,60	18,20	2,1	
-	R1/8"	57,9	88,0	FE208	UC208	CO	CC	29,60	18,20	2,1	40
-	R1/8"	57,9	88,0	FE208	US208	CO	CC	29,60	18,20	2,0	
60,3	R1/8"	***	***	FE208	ES208	***	***	29,60	18,20	2,1	
60,3	R1/8"	***	***	FE208	EX208	***	***	29,60	18,20	2,2	
65,0	R1/8"	58,4	95,0	FE209	UK209 + H2309	CO	CC	31,85	20,80	2,4	

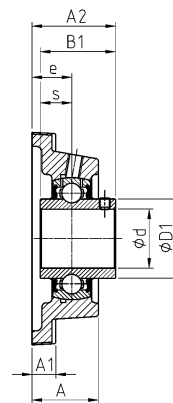
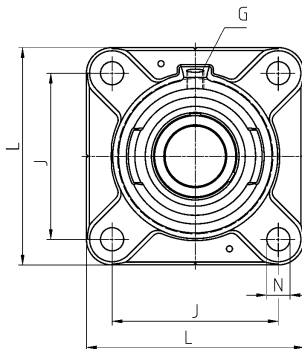
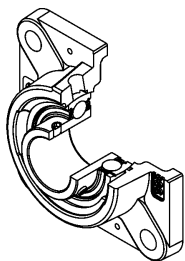
* = Equipped with one open protective caps for passing shafts: Suffix CO see example on page 6

** = Equipped with one closed protective cap for shaft ends: Suffix CC see example on page 6

*** = Protective cap for inserts with eccentric locking collar available on request.



Housing FE200 relubricatable

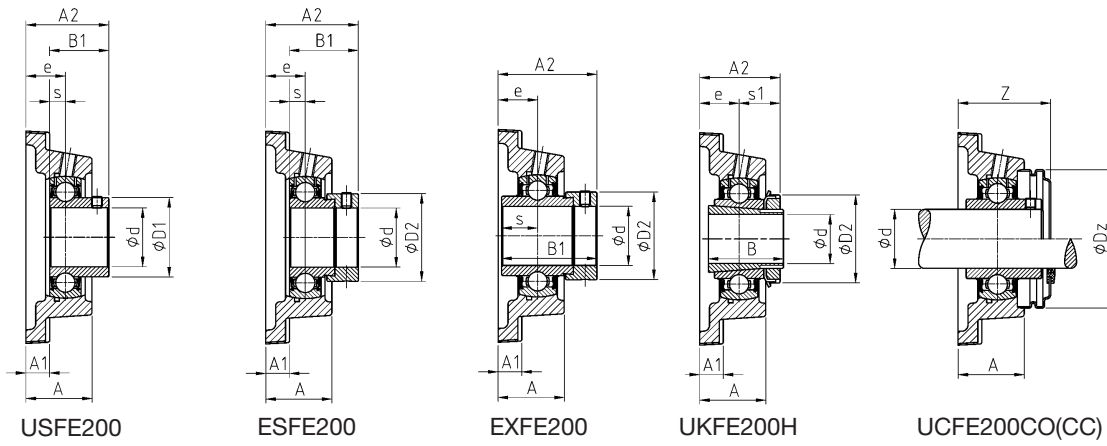


UCFE200

Shaft diameter
Unit

Main dimensions [mm]

d [mm]		L	J	A	A1	A2	e	N	s1	B	B1	s	D1
45	UCFE209	137	105,0	40,0	13,0	54,2	24,0	14,0	-	-	49,2	19,0	57,2
	USFE209	137	105,0	40,0	13,0	55,0	24,0	14,0	-	-	41,2	10,2	57,2
	ESFE209	137	105,0	40,0	13,0	56,7	24,0	14,0	-	-	43,7	11,0	-
	EXFE209	137	105,0	40,0	13,0	58,9	24,0	14,0	-	-	56,3	21,4	-
	UKFE210H	143	111,0	44,0	13,0	55,5	28,0	18,0	27,5	55,0	-	-	-
50	UCFE210	143	111,0	44,0	13,0	60,6	28,0	18,0	-	-	51,6	19,0	61,8
	USFE210	143	111,0	44,0	13,0	60,6	28,0	18,0	-	-	43,5	10,9	61,8
	ESFE210	143	111,0	44,0	13,0	60,7	28,0	18,0	-	-	43,7	11,0	-
	EXFE210	143	111,0	44,0	13,0	66,1	28,0	18,0	-	-	62,7	24,6	-
	UKFE211H	162	130,0	48,5	15,0	60,0	31,0	18,0	29,0	59,0	-	-	-
55	UCFE211	162	130,0	48,5	15,0	64,4	31,0	18,0	-	-	55,6	22,2	69,0
	USFE211	162	130,0	48,5	15,0	64,5	31,0	18,0	-	-	45,3	11,8	69,0
	ESFE211	162	130,0	48,5	15,0	67,4	31,0	18,0	-	-	48,4	12,0	-
	EXFE211	162	130,0	48,5	15,0	74,6	31,0	18,0	-	-	71,3	27,7	-
	UKFE212H	175	143,0	53,5	16,0	65,0	34,0	18,0	31,0	62,0	-	-	-
60	UCFE212	175	143,0	53,5	16,0	73,7	34,0	18,0	-	-	65,1	25,4	74,9
	USFE212	175	143,0	53,5	16,0	72,8	34,0	18,0	-	-	53,7	14,9	74,9
	ESFE212	175	143,0	53,5	16,0	71,3	34,0	18,0	-	-	49,3	12,0	-
	EXFE212	175	143,0	53,5	16,0	80,8	34,0	18,0	-	-	77,7	30,9	-
	UKFE213H	188	150,0	56,0	18,0	70,0	38,0	18,0	32,0	65,0	-	-	-
65	UCFE213	188	150,0	56,0	18,0	77,7	38,0	18,0	-	-	65,1	25,4	82,0
	EXFE213	188	150,0	56,0	18,0	89,6	38,0	18,0	-	-	85,7	34,1	-
	UKFE215H	197	153,0	59,0	20,0	76,8	41,3	23,0	35,5	73,0	-	-	-
70	UCFE214	188	150,0	56,0	18,0	82,4	38,0	18,0	-	-	74,6	30,2	86,5
	EXFE214	188	150,0	56,0	18,0	89,6	38,0	18,0	-	-	85,7	34,1	-
	UKFE216H	197	153,0	61,0	20,0	80,3	41,3	23,0	39,0	78,0	-	-	-
75	UCFE215	197	153,0	59,0	20,0	85,8	41,3	23,0	-	-	77,8	33,3	91,5
	EXFE215	197	153,0	59,0	20,0	96,1	41,3	23,0	-	-	92,1	37,3	-
80	UCFE216	197	153,0	61,0	20,0	90,6	41,3	23,0	-	-	82,6	33,3	98,0
	EXFE216	197	153,0	61,0	20,0	99,2	41,3	23,0	-	-	95,2	37,3	-
	UKFE218H	235	187,0	45,0	22,0	65,8	23,8	23,0	42,0	86,0	-	-	-
90	UCFE218	235	187,0	45,0	22,0	80,1	23,8	23,0	-	-	96,0	39,7	111,0
	EXFE218	235	187,0	45,0	22,0	70,3	23,8	23,0	-	-	72,5	24,5	-



				Housing	Bearing insert	Open protec- tive cap *	Closed protec- tive cap **	Dynamic load rating	Static load rating	Weight	Shaft diameter
D2	G	Z	Dz					C _r [kN]	C _{or} [kN]	[kg]	d [mm]
-	R1/8"	58,4	95,0	FE209	UC209	CO	CC	31,85	20,80	2,2	45
-	R1/8"	58,4	95,0	FE209	US209	CO	CC	31,85	20,80	2,2	
63,5	R1/8"	***	***	FE209	ES209	***	***	31,85	20,80	2,2	
63,5	R1/8"	***	***	FE209	EX209	***	***	31,85	20,80	2,4	
70,0	R1/8"	65,8	100,0	FE210	UK210 + H2310	CO	CC	35,10	23,20	2,7	
-	R1/8"	65,8	100,0	FE210	UC210	CO	CC	35,10	23,20	2,6	50
-	R1/8"	65,8	100,0	FE210	US210	CO	CC	35,10	23,20	2,5	
69,9	R1/8"	***	***	FE210	ES210	***	***	35,10	23,20	2,6	
69,9	R1/8"	***	***	FE210	EX210	***	***	35,10	23,20	2,8	
75,0	R1/8"	69,1	110,0	FE211	UK211 + H2311	CO	CC	43,55	29,20	3,7	
-	R1/8"	69,1	110,0	FE211	UC211	CO	CC	43,55	29,20	3,7	55
-	R1/8"	69,1	110,0	FE211	US211	CO	CC	43,55	29,20	3,6	
76,2	R1/8"	***	***	FE211	ES211	***	***	43,55	29,20	3,4	
76,2	R1/8"	***	***	FE211	EX211	***	***	43,55	29,20	3,9	
80,0	R1/8"	78,4	120,0	FE212	UK212 + H2312	CO	CC	52,50	32,80	4,9	
-	R1/8"	78,4	120,0	FE212	UC212	CO	CC	52,50	32,80	4,9	60
-	R1/8"	78,4	120,0	FE212	US212	CO	CC	52,50	32,80	4,7	
84,2	R1/8"	***	***	FE212	ES212	***	***	52,50	32,80	4,6	
84,2	R1/8"	***	***	FE212	EX212	***	***	52,50	32,80	5,2	
85,0	R1/8"	77,4	132,0	FE213	UK213 + H2313	CO	CC	57,20	40,00	6,1	
-	R1/8"	77,4	132,0	FE213	UC213	CO	CC	57,20	40,00	6,0	65
86,0	R1/8"	***	***	FE213	EX213	***	***	57,20	40,00	6,6	
98,0	R1/8"	-	-	FE215	UK215 + H2315	-	-	66,00	49,50	6,9	
-	R1/8"	-	-	FE214	UC214	-	-	62,00	45,00	6,2	70
96,8	R1/8"	-	-	FE214	EX214	-	-	62,00	45,00	6,7	
105,0	R1/8"	-	-	FE216	UK216 + H2316	-	-	72,50	54,20	7,5	
-	R1/8"	-	-	FE215	UC215	-	-	66,00	49,50	6,3	75
102,0	R1/8"	-	-	FE215	EX215	-	-	66,00	49,50	6,9	
-	R1/8"	-	-	FE216	UC216	-	-	72,50	54,20	7,1	80
110,0	R1/8"	-	-	FE216	EX216	-	-	72,50	54,20	7,4	
120,0	R1/8"	-	-	FE218	UK218 + H2318	-	-	96,00	71,50	10,7	
-	R1/8"	-	-	FE218	UC218	-	-	96,00	71,50	10,4	90
120,0	R1/8"	-	-	FE218	EX218	-	-	96,00	71,50	10,9	

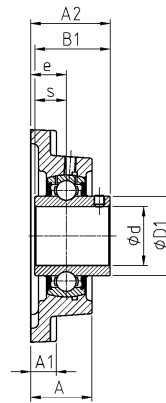
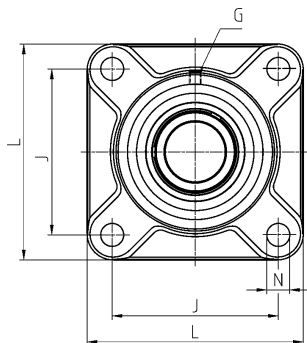
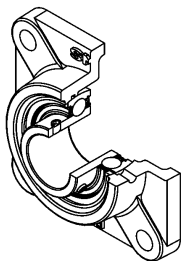
* = Equipped with one open protective caps for passing shafts: Suffix CO see example on page 6

** = Equipped with one closed protective cap for shaft ends: Suffix CC see example on page 6

*** = Protective cap for bearing inserts with eccentric locking collar at request

Housing

F200 relubricatable
F300 relubricatable

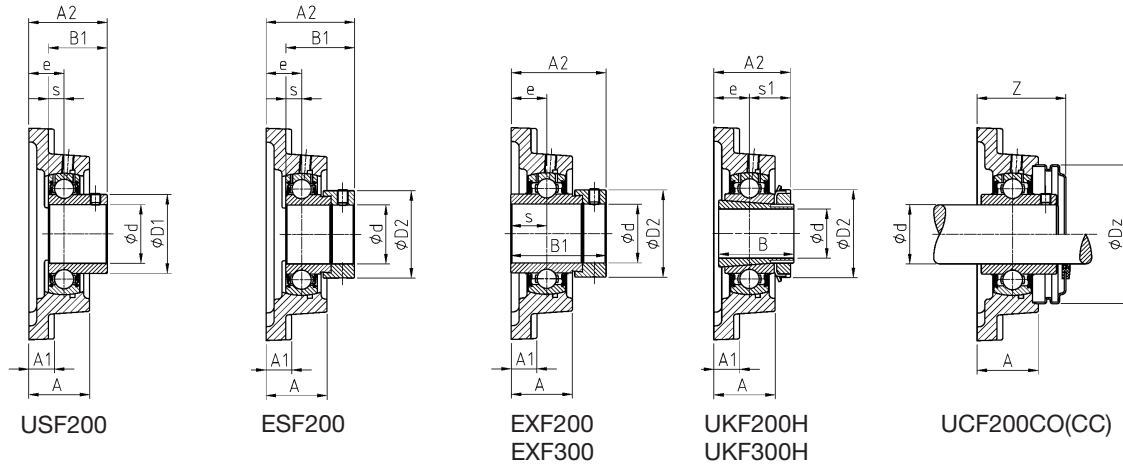


UCF200
UCF300

Shaft diameter
Unit

Main dimensions [mm]

d [mm]		L	J	A	A1	A2	e	N	s1	B	B1	s	D1	D2
12	UCF201	86	64	25,5	11	33,3	15	12	-	-	31,0	12,7	29,0	-
	USF201	76	54	25,5	11	31,0	15	12	-	-	22,0	6,0	24,6	-
	ESF201	76	54	25,5	11	37,1	15	12	-	-	28,6	6,5	-	28,6
	EXF201	86	64	25,5	11	41,5	15	12	-	-	43,5	17,0	-	33,3
15	UCF202	86	64	25,5	11	33,3	15	12	-	-	31,0	12,7	29,0	-
	USF202	76	54	25,5	11	31,0	15	12	-	-	22,0	6,0	24,6	-
	ESF202	76	54	25,5	11	37,1	15	12	-	-	28,6	6,5	-	28,6
	EXF202	86	64	25,5	11	41,5	15	12	-	-	43,5	17,0	-	33,3
17	UCF203	86	64	25,5	11	33,3	15	12	-	-	31,0	12,7	29,0	-
	USF203	76	54	25,5	11	31,0	15	12	-	-	22,0	6,0	24,6	-
	ESF203	76	54	25,5	11	37,1	15	12	-	-	28,6	6,5	-	28,6
	EXF203	86	64	25,5	11	41,5	15	12	-	-	43,5	17,0	-	33,3
20	UCF204	86	64	25,5	11	33,3	15	12	-	-	31,0	12,7	29,0	-
	USF204	86	64	25,5	11	33,0	15	12	-	-	25,0	7,0	29,0	-
	ESF204	86	64	25,5	11	38,4	15	12	-	-	30,9	7,5	-	33,3
	EXF204	86	64	25,5	11	41,5	15	12	-	-	43,5	17,0	-	33,3
	UKF205H	95	70	27,0	13	34,5	16	12	18,5	35,0	-	-	-	38,0
	UKF305H	108	80	29,0	13	37,5	16	16	21,5	35,0	-	-	-	38,0
25	UCF205	95	70	27,0	13	35,7	16	12	-	-	34,0	14,3	34,0	-
	USF205	95	70	27,0	13	35,5	16	12	-	-	27,0	7,5	34,0	-
	ESF205	95	70	27,0	13	39,4	16	12	-	-	30,9	7,5	-	38,1
	EXF205	95	70	27,0	13	42,9	16	12	-	-	44,3	17,4	-	38,1
	UKF206H	108	83	31,0	13	38,5	18	12	20,5	38,0	-	-	-	45,0
	UCF305	108	80	29,0	13	39,0	16	16	-	-	38,0	15,0	35,4	-
	EXF305	108	80	29,0	13	46,1	16	16	-	-	46,8	16,7	-	42,8
	UKF306H	125	95	32,0	15	41,0	18	16	23,0	38,0	-	-	-	45,0
30	UCF206	108	83	31,0	13	40,2	18	12	-	-	38,1	15,9	40,3	-
	USF206	108	83	31,0	13	40,0	18	12	-	-	30,0	8,0	40,3	-
	ESF206	108	83	31,0	13	44,7	18	12	-	-	35,7	9,0	-	44,5
	EXF206	108	83	31,0	13	48,1	18	12	-	-	48,3	18,2	-	44,5
	UKF207H	117	92	34,0	15	41,5	19	14	22,5	43,0	-	-	-	52,0
	UCF306	125	95	32,0	15	44,0	18	16	-	-	43,0	17,0	44,6	-
	EXF306	125	95	32,0	15	50,5	18	16	-	-	50,0	17,5	-	50,0
	UKF307H	135	100	36,0	16	45,5	20	19	25,5	43,0	-	-	-	52,0



			Housing	Bearing insert	Open protective cap *	Closed protective cap **	Dynamic load rating	Static load rating	Weight	Shaft diameter
G	Z	Dz					C _r [kN]	C _{0r} [kN]	[kg]	d [mm]
M6x1	36,6	54,0	F204	UC201	CO	CC	12,80	6,65	0,6	12
M6x1	36,3	46,0	F203	US201	CO	CC	9,55	4,78	0,4	12
M6x1	***	***	F203	ES201	***	***	9,55	4,78	0,5	12
M6x1	***	***	F204	EX201	***	***	12,80	6,65	0,7	12
M6x1	36,6	54,0	F204	UC202	CO	CC	12,80	6,65	0,6	15
M6x1	36,3	46,0	F203	US202	CO	CC	9,55	4,78	0,4	15
M6x1	***	***	F203	ES202	***	***	9,55	4,78	0,5	15
M6x1	***	***	F204	EX202	***	***	12,80	6,65	0,7	15
M6x1	36,6	54,0	F204	UC203	CO	CC	12,80	6,65	0,5	17
M6x1	36,3	46,0	F203	US203	CO	CC	9,55	4,78	0,4	17
M6x1	***	***	F203	ES203	***	***	9,55	4,78	0,5	17
M6x1	***	***	F204	EX203	***	***	12,80	6,65	0,7	17
M6x1	36,6	54,0	F204	UC204	CO	CC	12,80	6,65	0,6	20
M6x1	36,6	54,0	F204	US204	CO	CC	12,80	6,65	0,6	20
M6x1	***	***	F204	ES204	***	***	12,80	6,65	0,6	20
M6x1	***	***	F204	EX204	***	***	12,80	6,65	0,7	20
M6x1	39,2	60,0	F205	UK205 + H2305	CO	CC	14,00	7,88	0,8	20
M6x1	-	-	F305	UK305 + H2305	-	-	22,36	11,50	1,2	20
M6x1	39,2	60,0	F205	UC205	CO	CC	14,00	7,88	0,8	25
M6x1	39,2	60,0	F205	US205	CO	CC	14,00	7,88	0,8	25
M6x1	***	***	F205	ES205	***	***	14,00	7,88	0,8	25
M6x1	***	***	F205	EX205	***	***	14,00	7,88	0,9	25
M6x1	44,2	70,0	F206	UK206 + H2306	CO	CC	19,50	11,20	1,2	25
M6x1	-	-	F305	UC305	-	-	22,36	11,50	1,1	25
M6x1	-	-	F305	EX305	-	-	22,36	11,50	1,2	25
M6x1	-	-	F306	UK306 + H2306	-	-	27,00	15,20	1,6	25
M6x1	44,2	70,0	F206	UC206	CO	CC	19,50	11,20	1,1	30
M6x1	44,2	70,0	F206	US206	CO	CC	19,50	11,20	1,1	30
M6x1	***	***	F206	ES206	***	***	19,50	11,20	1,1	30
M6x1	***	***	F206	EX206	***	***	19,50	11,20	1,2	30
M6x1	48,3	80,0	F207	UK207 + H2307	CO	CC	25,70	15,20	1,6	30
M6x1	-	-	F306	UC306	-	-	27,00	15,20	1,6	30
M6x1	-	-	F306	EX306	-	-	27,00	15,20	1,7	30
M6x1	-	-	F307	UK307 + H2307	-	-	33,50	19,20	2,2	30

* = Equipped with one open protective caps for passing shafts: Suffix CO see example on page 6

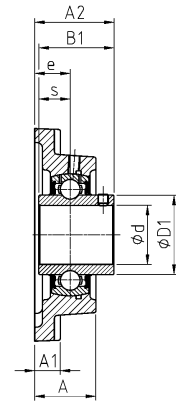
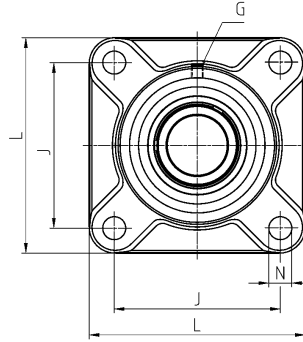
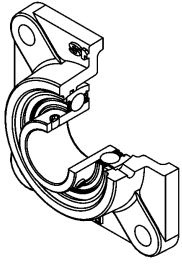
** = Equipped with one closed protective cap for shaft ends: Suffix CC see example on page 6

*** = Protective cap for bearing inserts with eccentric locking collar at request



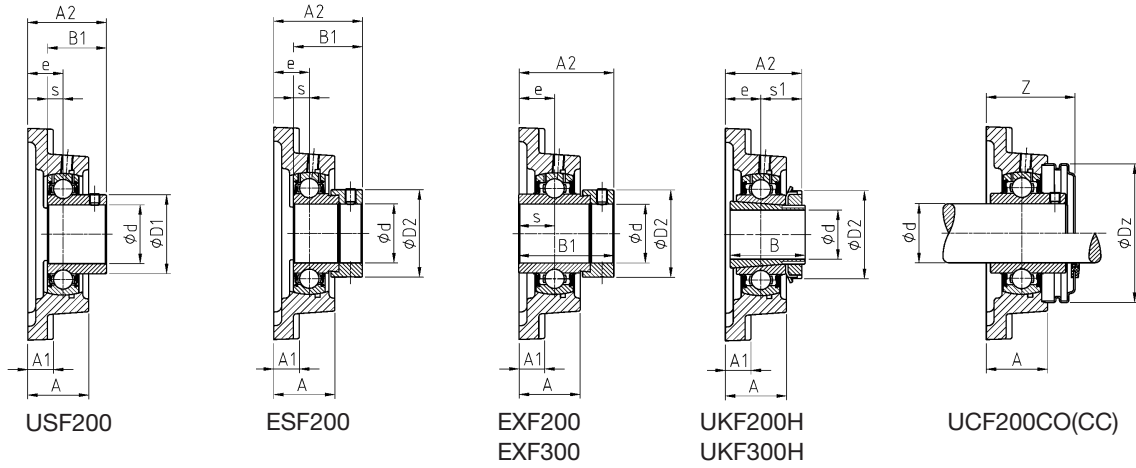
Housing

F200 relubricatable
F300 relubricatable



UCF200
UCF300

Shaft diameter		Unit		Main dimensions [mm]											
d [mm]		L	J	A	A1	A2	e	N	s1	B	B1	s	D1	D2	
35	UCF207	117	92	34,0	15	44,4	19	14	-	-	42,9	17,5	48,0	-	
	USF207	117	92	34,0	15	42,5	19	14	-	-	32,0	8,5	48,0	-	
	ESF207	117	92	34,0	15	48,4	19	14	-	-	38,9	9,5	-	55,6	
	EXF207	117	92	34,0	15	51,3	19	14	-	-	51,1	18,8	-	55,6	
	UKF208H	130	102	36,0	15	45,5	21	16	24,5	46,0	-	-	-	58,0	
	UCF307	135	100	36,0	16	49,0	20	19	-	-	48,0	19,0	48,9	-	
	EXF307	135	100	36,0	16	53,3	20	19	-	-	51,6	18,3	-	55,0	
	UKF308H	150	112	40,0	17	50,5	23	19	27,5	46,0	-	-	-	58,0	
40	UCF208	130	102	36,0	15	51,2	21	16	-	-	49,2	19,0	53,0	-	
	USF208	130	102	36,0	15	46,0	21	16	-	-	34,0	9,0	53,0	-	
	ESF208	130	102	36,0	15	53,7	21	16	-	-	43,7	11,0	-	60,3	
	EXF208	130	102	36,0	15	55,9	21	16	-	-	56,3	21,4	-	60,3	
	UKF209H	137	105	38,0	16	48,0	22	16	26,0	50,0	-	-	-	65,0	
	UCF308	150	112	40,0	17	56,0	23	19	-	-	52,0	19,0	56,5	-	
	EXF308	150	112	40,0	17	60,3	23	19	-	-	57,1	19,8	-	63,5	
	UKF309H	160	125	44,0	18	55,0	25	19	30,0	50,0	-	-	-	65,0	
45	UCF209	137	105	38,0	16	52,2	22	16	-	-	49,2	19,0	57,2	-	
	USF209	137	105	38,0	16	53,0	22	16	-	-	41,2	10,2	57,2	-	
	ESF209	137	105	38,0	16	54,7	22	16	-	-	43,7	11,0	-	63,5	
	EXF209	137	105	38,0	16	56,9	22	16	-	-	56,3	21,4	-	63,5	
	UKF210H	143	111	40,0	16	49,5	22	16	27,5	55,0	-	-	-	70,0	
	UCF309	160	125	44,0	18	60,0	25	19	-	-	57,0	22,0	61,8	-	
	EXF309	160	125	44,0	18	63,9	25	19	-	-	58,7	19,8	-	70,0	
	UKF310H	175	132	48,0	20	60,0	28	23	32,0	55,0	-	-	-	70,0	
50	UCF210	143	111	40,0	16	54,6	22	16	-	-	51,6	19,0	61,8	-	
	USF210	143	111	40,0	16	54,6	22	16	-	-	43,5	10,9	61,8	-	
	ESF210	143	111	40,0	16	54,7	22	16	-	-	43,7	11,0	-	69,9	
	EXF210	143	111	40,0	16	60,1	22	16	-	-	62,7	24,6	-	69,9	
	UKF211H	162	130	43,0	18	54,0	25	19	29,0	59,0	-	-	-	75,0	
	UCF310	175	132	48,0	20	67,0	28	23	-	-	61,0	22,0	68,7	-	
	EXF310	175	132	48,0	20	70,0	28	23	-	-	66,6	24,6	-	76,2	
	UKF311H	185	140	52,0	20	64,0	30	23	34,0	59,0	-	-	-	75,0	



			Housing	Bearing insert	Open protective cap *	Closed protective cap **	Dynamic load rating	Static load rating	Weight	Shaft diameter
G	Z	Dz					C _r [kN]	C _{0r} [kN]	[kg]	d [mm]
M6x1	48,3	80,0	F207	UC207	CO	CC	25,70	15,20	1,5	35
M6x1	48,3	80,0	F207	US207	CO	CC	25,70	15,20	1,5	35
M6x1	***	***	F207	ES207	***	***	25,70	15,20	1,5	35
M6x1	***	***	F207	EX207	***	***	25,70	15,20	1,6	35
M6x1	55,2	88,0	F208	UK208 + H2308	CO	CC	29,60	18,20	2,0	35
M6x1	-	-	F307	UC307	-	-	33,50	19,20	2,0	35
M6x1	-	-	F307	EX307	-	-	33,50	19,20	2,1	35
M6x1	-	-	F308	UK308 + H2308	-	-	40,56	24,00	2,8	35
M6x1	55,2	88,0	F208	UC208	CO	CC	29,60	18,20	1,9	40
M6x1	55,2	88,0	F208	US208	CO	CC	29,60	18,20	1,9	40
M6x1	***	***	F208	ES208	***	***	29,60	18,20	1,9	40
M6x1	***	***	F208	EX208	***	***	29,60	18,20	2,1	40
M6x1	56,3	95,0	F209	UK209 + H2309	CO	CC	31,85	20,80	2,3	40
M6x1	-	-	F308	UC308	-	-	40,56	24,00	2,7	40
M6x1	-	-	F308	EX308	-	-	40,56	24,00	2,8	40
M6x1	-	-	F309	UK309 + H2309	-	-	53,00	31,80	3,5	40
M6x1	56,3	95,0	F209	UC209	CO	CC	31,85	20,80	2,1	45
M6x1	56,3	95,0	F209	US209	CO	CC	31,85	20,80	2,1	45
M6x1	***	***	F209	ES209	***	***	31,85	20,80	2,1	45
M6x1	***	***	F209	EX209	***	***	31,85	20,80	2,3	45
M6x1	59,3	100,0	F210	UK210 + H2310	CO	CC	35,10	23,20	2,7	45
M6x1	-	-	F309	UC309	-	-	53,00	31,80	3,3	45
M6x1	-	-	F309	EX309	-	-	53,00	31,80	3,5	45
M6x1	-	-	F310	UK310 + H2310	-	-	62,00	37,80	4,5	45
M6x1	59,3	100,0	F210	UC210	CO	CC	35,10	23,20	2,5	50
M6x1	59,3	100,0	F210	US210	CO	CC	35,10	23,20	2,5	50
M6x1	***	***	F210	ES210	***	***	35,10	23,20	2,5	50
M6x1	***	***	F210	EX210	***	***	35,10	23,20	2,7	50
M6x1	62,8	110,0	F211	UK211 + H2311	CO	CC	43,55	29,20	3,4	50
M6x1	-	-	F310	UC310	-	-	62,00	37,80	4,4	50
M6x1	-	-	F310	EX310	-	-	62,00	37,80	4,6	50
M6x1	-	-	F311	UK311 + H2311	-	-	71,50	44,80	5,5	50

* = Equipped with one open protective caps for passing shafts: Suffix CO see example on page 6

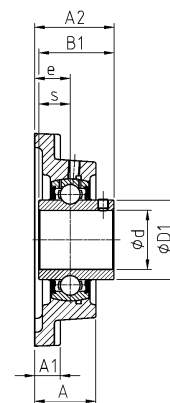
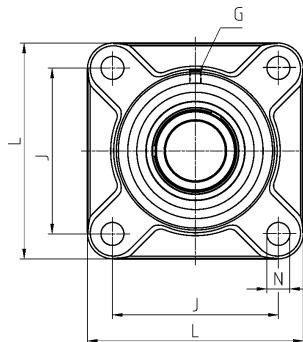
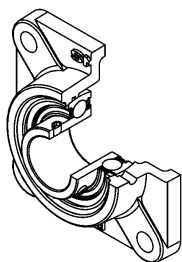
** = Equipped with one closed protective cap for shaft ends: Suffix CC see example on page 6

*** = Protective cap for bearing inserts with eccentric locking collar at request



Housing

F200 relubricatable
F300 relubricatable

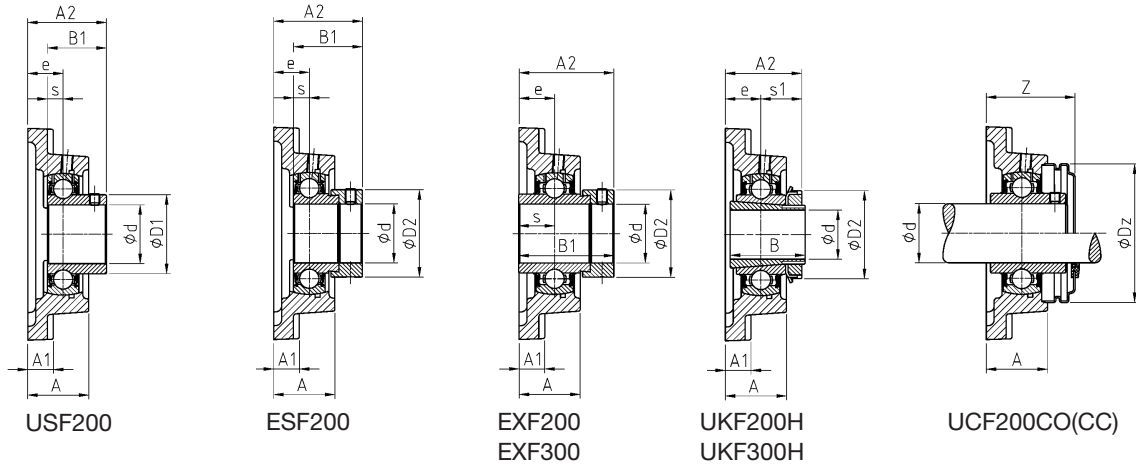


UCF200
UCF300

Shaft diameter
Unit

Main dimensions [mm]

d [mm]		L	J	A	A1	A2	e	N	s1	B	B1	s	D1	D2
55	UCF211	162	130	43,0	18	58,4	25	19	-	-	55,6	22,2	69,0	-
	USF211	162	130	43,0	18	58,5	25	19	-	-	45,3	11,8	69,0	-
	ESF211	162	130	43,0	18	61,4	25	19	-	-	48,4	12,0	-	76,2
	EXF211	162	130	43,0	18	68,6	25	19	-	-	71,3	27,7	-	76,2
	UKF212H	175	143	48,0	18	60,0	29	19	31,0	62,0	-	-	-	80,0
	UCF311	185	140	52,0	20	71,0	30	23	-	-	66,0	25,0	74,9	-
	EXF311	185	140	52,0	20	75,2	30	23	-	-	73,0	27,8	-	83,0
	UKF312H	193	150	56,0	22	69,5	33	23	36,5	62,0	-	-	-	80,0
60	UCF212	175	143	48,0	18	68,7	29	19	-	-	65,1	25,4	74,9	-
	USF212	175	143	48,0	18	67,8	29	19	-	-	53,7	14,9	74,9	-
	ESF212	175	143	48,0	18	66,3	29	19	-	-	49,3	12,0	-	84,2
	EXF212	175	143	48,0	18	75,8	29	19	-	-	77,7	30,9	-	84,2
	UKF213H	187	149	50,0	22	62,0	30	19	32,0	65,0	-	-	-	85,0
	UCF312	193	150	56,0	22	78,0	33	23	-	-	71,0	26,0	81,0	-
	EXF312	193	150	56,0	22	81,5	33	23	-	-	79,4	31,0	-	89,0
	UKF313H	208	166	58,0	22	71,5	33	23	38,5	65,0	-	-	-	85,0
65	UCF213	187	149	50,0	22	69,7	30	19	-	-	65,1	25,4	82,0	-
	EXF213	187	149	50,0	22	81,6	30	19	-	-	85,7	34,1	-	86,0
	UKF215H	200	159	56,0	22	69,5	34	19	35,5	73,0	-	-	-	98,0
	UCF313	208	166	58,0	22	78,0	33	23	-	-	75,0	30,0	87,5	-
	EXF313	208	166	58,0	22	86,2	33	23	-	-	85,7	32,5	-	97,0
	UKF315H	236	184	66,0	25	81,5	39	25	42,5	73,0	-	-	-	98,0
70	UCF214	193	152	54,0	22	75,4	31	19	-	-	74,6	30,2	86,5	-
	EXF214	193	152	54,0	22	82,6	31	19	-	-	85,7	34,1	-	96,8
	UKF216H	208	165	57,0	22	73,0	34	23	39,0	78,0	-	-	-	105,0
	UCF314	226	178	61,0	25	83,0	36	25	-	-	78,0	33,0	94,0	-
	EXF314	226	178	61,0	25	94,0	36	25	-	-	92,1	34,2	-	102,0
	UKF316H	250	196	68,0	27	82,5	38	31	44,5	78,0	-	-	-	105,0
75	UCF215	200	159	56,0	22	78,5	34	19	-	-	77,8	33,3	91,5	-
	EXF215	200	159	56,0	22	88,8	34	19	-	-	92,1	37,3	-	102,0
	UKF217H	220	175	63,0	24	76,0	36	23	40,0	82,0	-	-	-	110,0
	UCF315	236	184	66,0	25	89,0	39	25	-	-	82,0	32,0	100,5	-
	EXF315	236	184	66,0	25	101,7	39	25	-	-	100,0	37,3	-	113,0
	UKF317H	260	204	74,0	27	92,0	44	31	48,0	82,0	-	-	-	110,0



			Housing	Bearing insert	Open protec- tive cap *	Closed protec- tive cap **	Dynamic load rating	Static load rating	Weight	Shaft diameter
G	Z	Dz					C _r [kN]	C _{0r} [kN]	[kg]	d [mm]
M6x1	62,8	110,0	F211	UC211	CO	CC	43,55	29,20	3,4	55
M6x1	62,8	110,0	F211	US211	CO	CC	43,55	29,20	3,3	55
M6x1	***	***	F211	ES211	***	***	43,55	29,20	3,1	55
M6x1	***	***	F211	EX211	***	***	43,55	29,20	3,6	55
M6x1	73,2	120,0	F212	UK212 + H2312	CO	CC	52,50	32,80	4,4	60
M6x1	-	-	F311	UC311	-	-	71,50	44,80	5,2	60
M6x1	-	-	F311	EX311	-	-	71,50	44,80	5,6	60
M6x1	-	-	F312	UK312 + H2312	-	-	81,60	51,80	6,3	60
M6x1	73,2	120,0	F212	UC212	CO	CC	52,50	32,80	4,4	60
M6x1	73,2	120,0	F212	US212	CO	CC	52,50	32,80	4,2	60
M6x1	***	***	F212	ES212	***	***	52,50	32,80	4,1	60
M6x1	***	***	F212	EX212	***	***	52,50	32,80	4,8	60
M6x1	74,3	132,0	F213	UK213 + H2313	CO	CC	57,20	40,00	5,6	65
M6x1	-	-	F312	UC312	-	-	81,60	51,80	6,4	65
M6x1	-	-	F312	EX312	-	-	81,60	51,80	6,7	65
M6x1	-	-	F313	UK313 + H2313	-	-	93,86	60,50	7,9	65
M6x1	74,3	132,0	F213	UC213	CO	CC	57,20	40,00	5,6	65
M6x1	***	***	F213	EX213	***	***	57,20	40,00	6,1	65
M10x1	-	-	F215	UK215 + H2315	-	-	66,00	49,50	6,4	70
M6x1	-	-	F313	UC313	-	-	93,86	60,50	7,9	70
M6x1	-	-	F313	EX313	-	-	93,86	60,50	8,3	70
M10x1	-	-	F315	UK315 + H2315	-	-	113,36	76,80	11,1	70
M10x1	-	-	F214	UC214	-	-	62,00	45,00	6,3	70
M10x1	-	-	F214	EX214	-	-	62,00	45,00	6,8	70
M10x1	-	-	F216	UK216 + H2316	-	-	72,50	54,20	7,4	70
M10x1	-	-	F314	UC314	-	-	104,26	68,00	9,5	70
M10x1	-	-	F314	EX314	-	-	104,26	68,00	10,0	70
M10x1	-	-	F316	UK316 + H2316	-	-	122,85	86,50	13,0	70
M10x1	-	-	F215	UC215	-	-	66,00	49,50	5,8	75
M10x1	-	-	F215	EX215	-	-	66,00	49,50	6,5	75
M10x1	-	-	F217	UK217 + H2317	-	-	83,20	63,80	9,2	75
M10x1	-	-	F315	UC315	-	-	113,36	76,80	10,4	75
M10x1	-	-	F315	EX315	-	-	113,36	76,80	11,4	75
M10x1	-	-	F317	UK317 + H2317	-	-	132,60	96,50	15,7	75

* = Equipped with one open protective caps for passing shafts: Suffix CO see example on page 6

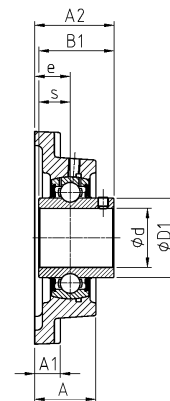
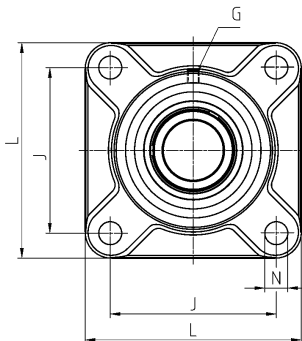
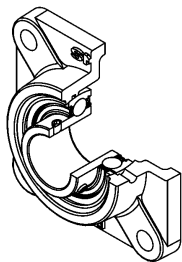
** = Equipped with one closed protective cap for shaft ends: Suffix CC see example on page 6

*** = Protective cap for bearing inserts with eccentric locking collar at request



Housing

F200 relubricatable
F300 relubricatable

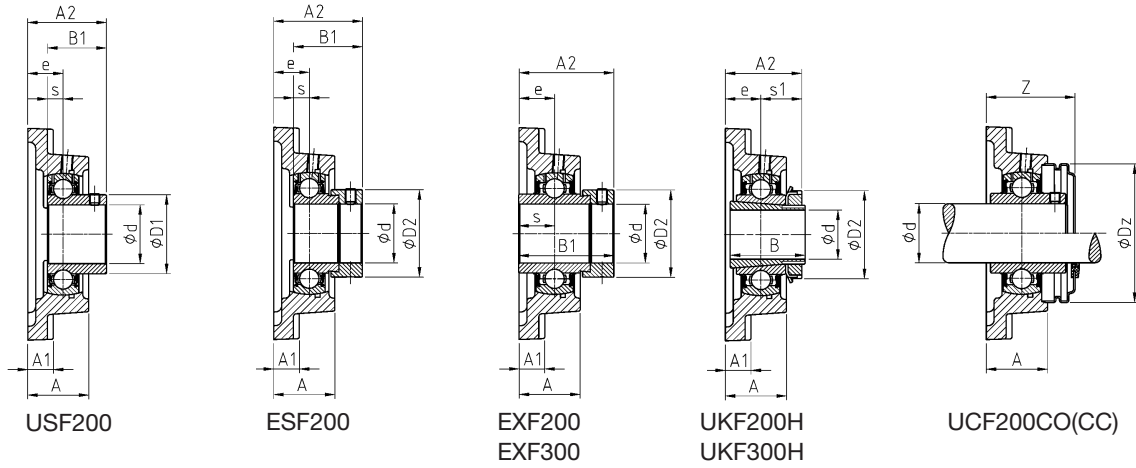


UCF200
UCF300

Shaft diameter
Unit

Main dimensions [mm]

d [mm]		L	J	A	A1	A2	e	N	s1	B	B1	s	D1	D2
80	UCF216	208	165	57,0	22	83,3	34	23	-	-	82,6	33,3	98,0	-
	EXF216	208	165	57,0	22	91,9	34	23	-	-	95,2	37,3	-	110,0
	UKF218H	235	187	68,0	25	82,0	40	23	42,0	86,0	-	-	-	120,0
	UCF316	250	196	68,0	27	90,0	38	31	-	-	86,0	34,0	107,9	-
	EXF316	250	196	68,0	27	103,9	38	31	-	-	106,4	40,5	-	119,0
	UKF318H	280	216	76,0	30	92,0	44	35	48,0	86,0	-	-	-	120,0
85	UCF217	220	175	63,0	24	87,6	36	23	-	-	85,7	34,1	105,1	-
	EXF217	220	175	63,0	24	83,6	36	23	-	-	73,2	23,4	-	119,0
	UCF317	260	204	74,0	27	100,0	44	31	-	-	96,0	40,0	114,0	-
	EXF317	260	204	74,0	27	111,5	44	31	-	-	109,5	42,0	-	127,0
	UKF319H	290	228	94,0	30	111,0	59	35	52,0	90,0	-	-	-	125,0
90	UCF218	235	187	68,0	25	96,3	40	23	-	-	96,0	39,7	111,0	-
	EXF218	235	187	68,0	25	86,5	40	23	-	-	72,5	24,5	-	120,0
	UCF318	280	216	76,0	30	100,0	44	35	-	-	96,0	40,0	120,0	-
	EXF318	280	216	76,0	30	116,3	44	35	-	-	115,9	43,6	-	133,0
	UKF320H	310	242	94,0	32	113,0	59	38	54,0	97,0	-	-	-	130,0
95	UCF319	290	228	94,0	30	121,0	59	35	-	-	103,0	41,0	126,5	-
	EXF319	290	228	94,0	30	134,5	59	35	-	-	122,3	46,8	-	140,0
100	UCF320	310	242	94,0	32	125,0	59	38	-	-	108,0	42,0	134,5	-
	EXF320	310	242	94,0	32	137,6	59	38	-	-	128,6	50,0	-	146,0
	UKF322H	340	266	96,0	35	121,0	60	41	61,0	105,0	-	-	-	145,0
105	UCF321	310	242	94,0	32	127,0	59	38	-	-	112,0	44,0	140,5	-
110	UCF322	340	266	96,0	35	131,0	60	41	-	-	117,0	46,0	149,0	-
	UKF324H	370	290	110,0	40	130,0	65	41	65,0	112,0	-	-	-	155,0
115	UKF326H	410	320	115,0	45	134,0	65	41	69,0	121,0	-	-	-	165,0
120	UCF324	370	290	110,0	40	140,0	65	41	-	-	126,0	51,0	163,0	-
125	UKF328H	450	350	125,0	55	148,0	75	41	73,0	131,0	-	-	-	180,0
130	UCF326	410	320	115,0	45	146,0	65	41	-	-	135,0	54,0	177,0	-
140	UCF328	450	350	125,0	55	161,0	75	41	-	-	145,0	59,0	190,0	-

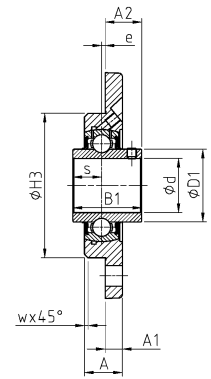
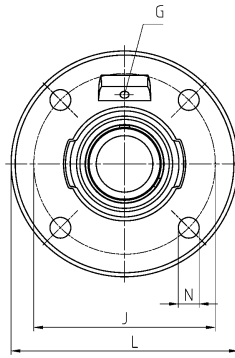
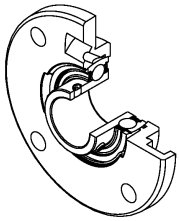


			Housing	Bearing insert	Open protective cap *	Closed protective cap **	Dynamic load rating	Static load rating	Weight	Shaft diameter
G	Z	Dz					C _r [kN]	C _{or} [kN]	[kg]	d [mm]
M10x1	-	-	F216	UC216	-	-	72,50	54,20	7,0	80
M10x1	-	-	F216	EX216	-	-	72,50	54,20	7,3	80
M10x1	-	-	F218	UK218 + H2318	-	-	96,00	71,50	11,8	80
M10x1	-	-	F316	UC316	-	-	122,85	86,50	12,8	80
M10x1	-	-	F316	EX316	-	-	122,85	86,50	13,9	80
M10x1	-	-	F318	UK318 + H2318	-	-	143,00	108,00	18,1	80
M10x1	-	-	F217	UC217	-	-	83,20	63,80	8,8	85
M10x1	-	-	F217	EX217	-	-	83,20	63,80	9,1	85
M10x1	-	-	F317	UC317	-	-	132,60	96,50	15,7	85
M10x1	-	-	F317	EX317	-	-	132,60	96,50	16,8	85
M10x1	-	-	F319	UK319 + H2319	-	-	156,00	122,00	21,6	85
M10x1	-	-	F218	UC218	-	-	96,00	71,50	11,6	90
M10x1	-	-	F218	EX218	-	-	96,00	71,50	12,1	90
M10x1	-	-	F318	UC318	-	-	143,00	108,00	18,1	90
M10x1	-	-	F318	EX318	-	-	143,00	108,00	19,3	90
M10x1	-	-	F320	UK320 + H2320	-	-	171,60	140,00	25,6	90
M10x1	-	-	F319	UC319	-	-	156,00	122,00	21,3	95
M10x1	-	-	F319	EX319	-	-	156,00	122,00	22,8	95
M10x1	-	-	F320	UC320	-	-	171,60	140,00	25,8	100
M10x1	-	-	F320	EX320	-	-	171,60	140,00	27,6	100
M10x1	-	-	F322	UK322 + H2322	-	-	205,00	178,00	42,6	100
M10x1	-	-	F321	UC321	-	-	182,00	155,00	30,2	105
M10x1	-	-	F322	UC322	-	-	205,00	178,00	39,3	110
M10x1	-	-	F324	UK324 + H2324	-	-	228,00	208,00	51,9	110
M10x1	-	-	F326	UK326 + H2326	-	-	252,00	242,00	68,5	115
M10x1	-	-	F324	UC324	-	-	228,00	208,00	49,2	120
M10x1	-	-	F328	UK328 + H2328	-	-	275,00	272,00	90,7	125
M10x1	-	-	F326	UC326	-	-	252,00	242,00	63,6	130
M10x1	-	-	F328	UC328	-	-	275,00	272,00	84,7	140

* = Equipped with one open protective caps for passing shafts: Suffix CO see example on page 6
 ** = Equipped with one closed protective cap for shaft ends: Suffix CC see example on page 6
 *** = Protective cap for bearing inserts with eccentric locking collar at request

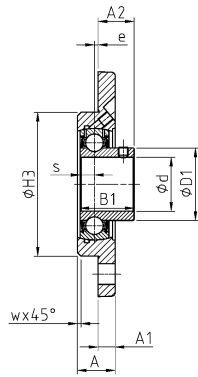


Housing FCE200 relubricatable

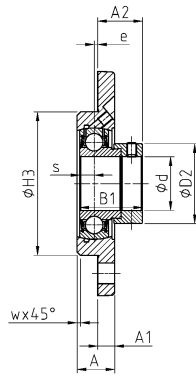


UCFCE200

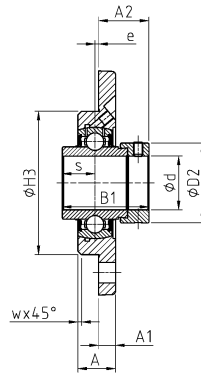
Shaft diameter		Unit		Main dimensions [mm]									
d [mm]		L	J	A	A1	A2	W	H3	e	N	s1	B	B1
12	UCFCE201	100	78	18,0	8,0	16,3	2	62	2,0	9,0	-	-	31,0
	USFCE201	100	78	18,0	8,0	14,0	2	62	2,0	9,0	-	-	22,0
	ESFCE201	100	78	18,0	8,0	20,1	2	62	2,0	9,0	-	-	28,6
	EXFCE201	100	78	18,0	8,0	24,5	2	62	2,0	9,0	-	-	43,5
15	UCFCE202	100	78	18,0	8,0	16,3	2	62	2,0	9,0	-	-	31,0
	USFCE202	100	78	18,0	8,0	14,0	2	62	2,0	9,0	-	-	22,0
	ESFCE202	100	78	18,0	8,0	20,1	2	62	2,0	9,0	-	-	28,6
	EXFCE202	100	78	18,0	8,0	24,5	2	62	2,0	9,0	-	-	43,5
17	UCFCE203	100	78	18,0	8,0	16,3	2	62	2,0	9,0	-	-	31,0
	USFCE203	100	78	18,0	8,0	14,0	2	62	2,0	9,0	-	-	22,0
	ESFCE203	100	78	18,0	8,0	20,1	2	62	2,0	9,0	-	-	28,6
	EXFCE203	100	78	18,0	8,0	24,5	2	62	2,0	9,0	-	-	43,5
20	UCFCE204	100	78	18,0	8,0	16,3	2	62	2,0	9,0	-	-	31,0
	USFCE204	100	78	18,0	8,0	16,0	2	62	2,0	9,0	-	-	25,0
	ESFCE204	100	78	18,0	8,0	21,4	2	62	2,0	9,0	-	-	30,9
	EXFCE204	100	78	18,0	8,0	24,5	2	62	2,0	9,0	-	-	43,5
	UKFCE205H	115	90	20,0	9,0	21,0	2	70	2,5	9,0	18,5	35,0	-
25	UCFCE205	115	90	20,0	9,0	17,2	2	70	2,5	9,0	-	-	34,0
	USFCE205	115	90	20,0	9,0	17,0	2	70	2,5	9,0	-	-	27,0
	ESFCE205	115	90	20,0	9,0	20,9	2	70	2,5	9,0	-	-	30,9
	EXFCE205	115	90	20,0	9,0	24,4	2	70	2,5	9,0	-	-	44,3
	UKFCE206H	125	100	21,0	9,5	22,5	2	80	2,0	11,5	20,5	38,0	-
30	UCFCE206	125	100	21,0	9,5	20,2	2	80	2,0	11,5	-	-	38,1
	USFCE206	125	100	21,0	9,5	20,0	2	80	2,0	11,5	-	-	30,0
	ESFCE206	125	100	21,0	9,5	24,7	2	80	2,0	11,5	-	-	35,7
	EXFCE206	125	100	21,0	9,5	28,1	2	80	2,0	11,5	-	-	48,3
	UKFCE207H	135	110	21,0	10,0	23,5	2	90	1,0	11,5	22,5	43,0	-
35	UCFCE207	135	110	21,0	10,0	24,4	2	90	1,0	11,5	-	-	42,9
	USFCE207	135	110	21,0	10,0	22,5	2	90	1,0	11,5	-	-	32,0
	ESFCE207	135	110	21,0	10,0	28,4	2	90	1,0	11,5	-	-	38,9
	EXFCE207	135	110	21,0	10,0	31,3	2	90	1,0	11,5	-	-	51,1
	UKFCE208H	145	120	23,0	11,5	25,5	2	100	1,0	11,5	24,5	46,0	-
40	UCFCE208	145	120	23,0	11,5	29,2	2	100	1,0	11,5	-	-	49,2
	USFCE208	145	120	23,0	11,5	24,0	2	100	1,0	11,5	-	-	34,0
	ESFCE208	145	120	23,0	11,5	31,7	2	100	1,0	11,5	-	-	43,7
	EXFCE208	145	120	23,0	11,5	33,9	2	100	1,0	11,5	-	-	56,3
	UKFCE209H	155	130	25,0	12,0	28,0	2	105	2,0	14,0	26,0	50,0	-



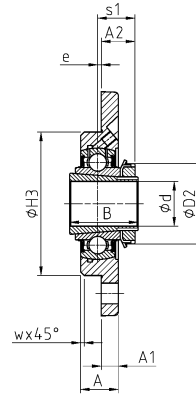
USFCE200



ESFCE200



EXFCE200



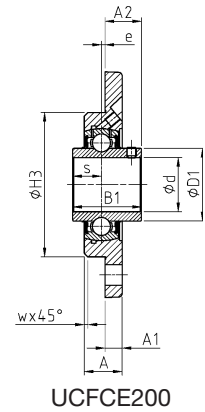
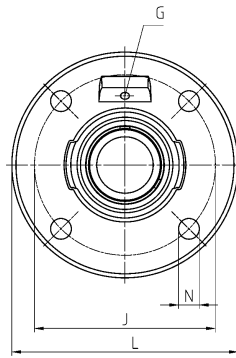
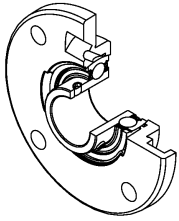
UKFCE200H

Housing / *Bearing insert* / *Dynamic load rating* / *Static load rating* / *Weight* / *Shaft diameter*

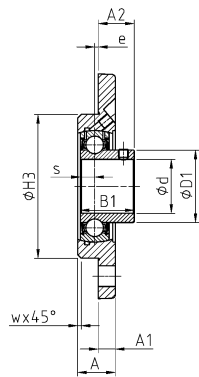
s	D1	D2	G			C _r [kN]	C _{0r} [kN]	[kg]	d [mm]
12,7	29,0	-	M6x1	FCE204	UC201	12,80	6,65	0,6	12
6,0	24,6	-	M6x1	FCE203	US201	9,55	4,78	0,5	
6,5	-	28,6	M6x1	FCE203	ES201	9,55	4,78	0,5	
17,0	-	33,3	M6x1	FCE204	EX201	12,80	6,65	0,7	
12,7	29,0	-	M6x1	FCE204	UC202	12,80	6,65	0,6	15
6,0	24,6	-	M6x1	FCE203	US202	9,55	4,78	0,5	
6,5	-	28,6	M6x1	FCE203	ES202	9,55	4,78	0,5	
17,0	-	33,3	M6x1	FCE204	EX202	12,80	6,65	0,6	
12,7	29,0	-	M6x1	FCE204	UC203	12,80	6,65	0,6	17
6,0	24,6	-	M6x1	FCE203	US203	9,55	4,78	0,5	
6,5	-	28,6	M6x1	FCE203	ES203	9,55	4,78	0,5	
17,0	-	33,3	M6x1	FCE204	EX203	12,80	6,65	0,6	
12,7	29,0	-	M6x1	FCE204	UC204	12,80	6,65	0,5	20
7,0	29,0	-	M6x1	FCE204	US204	12,80	6,65	0,5	
7,5	-	33,3	M6x1	FCE204	ES204	12,80	6,65	0,5	
17,0	-	33,3	M6x1	FCE204	EX204	12,80	6,65	0,6	
-	-	38,0	M6x1	FCE205	UK205 + H2305	14,00	7,88	0,8	25
14,3	34,0	-	M6x1	FCE205	UC205	14,00	7,88	0,8	
7,5	34,0	-	M6x1	FCE205	US205	14,00	7,88	0,8	
7,5	-	38,1	M6x1	FCE205	ES205	14,00	7,88	0,8	
17,4	-	38,1	M6x1	FCE205	EX205	14,00	7,88	0,8	
-	-	45,0	M6x1	FCE206	UK206 + H2306	19,50	11,20	1,0	
15,9	40,3	-	M6x1	FCE206	UC206	19,50	11,20	1,0	30
8,0	40,3	-	M6x1	FCE206	US206	19,50	11,20	0,9	
9,0	-	44,5	M6x1	FCE206	ES206	19,50	11,20	1,0	
18,2	-	44,5	M6x1	FCE206	EX206	19,50	11,20	1,1	
-	-	52,0	M6x1	FCE207	UK207 + H2307	25,70	15,20	1,3	35
17,5	48,0	-	M6x1	FCE207	UC207	25,70	15,20	1,2	
8,5	48,0	-	M6x1	FCE207	US207	25,70	15,20	1,2	
9,5	-	55,6	M6x1	FCE207	ES207	25,70	15,20	1,3	
18,8	-	55,6	M6x1	FCE207	EX207	25,70	15,20	1,4	
-	-	58,0	M6x1	FCE208	UK208 + H2308	29,60	18,20	1,7	
19,0	53,0	-	M6x1	FCE208	UC208	29,60	18,20	1,6	40
9,0	53,0	-	M6x1	FCE208	US208	29,60	18,20	1,6	
11,0	-	60,3	M6x1	FCE208	ES208	29,60	18,20	1,7	
21,4	-	60,3	M6x1	FCE208	EX208	29,60	18,20	1,8	
-	-	65,0	M6x1	FCE209	UK209 + H2309	31,85	20,80	2,0	



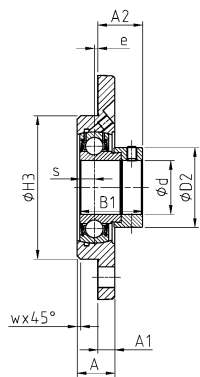
Housing FCE200 relubricatable



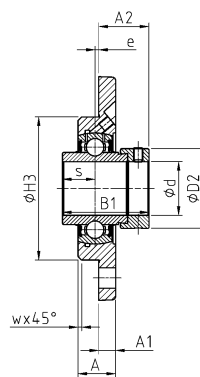
Shaft diameter		Unit		Main dimensions [mm]										
d [mm]		L	J	A	A1	A2	W	H3 h8	e	N	s1	B	B1	
45	UCFCE209	155	130	25,0	12,0	28,2	2	105	2,0	14,0	-	-	49,2	
	USFCE209	155	130	25,0	12,0	29,0	2	105	2,0	14,0	-	-	41,2	
	ESFCE209	155	130	25,0	12,0	30,7	2	105	2,0	14,0	-	-	43,7	
	EXFCE209	155	130	25,0	12,0	32,9	2	105	2,0	14,0	-	-	56,3	
	UKFCE210H	165	135	25,5	13,0	28,5	3	110	1,0	14,0	27,5	55,0	-	
50	UCFCE210	165	135	25,5	13,0	31,6	3	110	1,0	14,0	-	-	51,6	
	USFCE210	165	135	25,5	13,0	31,6	3	110	1,0	14,0	-	-	43,5	
	ESFCE210	165	135	25,5	13,0	31,7	3	110	1,0	14,0	-	-	43,7	
	EXFCE210	165	135	25,5	13,0	37,1	3	110	1,0	14,0	-	-	62,7	
	UKFCE211H	185	150	27,5	15,0	29,0	3	125	0,0	18,0	29,0	59,0	-	
55	UCFCE211	185	150	27,5	15,0	33,4	3	125	0,0	18,0	-	-	55,6	
	USFCE211	185	150	27,5	15,0	33,5	3	125	0,0	18,0	-	-	45,3	
	ESFCE211	185	150	27,5	15,0	36,4	3	125	0,0	18,0	-	-	48,4	
	EXFCE211	185	150	27,5	15,0	43,6	3	125	0,0	18,0	-	-	71,3	
	UKFCE212H	195	160	30,5	16,0	32,0	3	135	1,0	18,0	31,0	62,0	-	
60	UCFCE212	195	160	30,5	16,0	38,7	3	135	1,0	18,0	-	-	65,1	
	USFCE212	195	160	30,5	16,0	37,8	3	135	1,0	18,0	-	-	53,7	
	ESFCE212	195	160	30,5	16,0	36,3	3	135	1,0	18,0	-	-	49,3	
	EXFCE212	195	160	30,5	16,0	45,8	3	135	1,0	18,0	-	-	77,7	
	UKFCE213H	215	177	33,0	18,0	32,0	6	150	0,0	18,0	32,0	65,0	-	
65	UCFCE213	215	177	33,0	18,0	39,7	6	150	0,0	18,0	-	-	65,1	
	EXFCE213	215	177	33,0	18,0	51,6	6	150	0,0	18,0	-	-	85,7	
	UKFCE215H	215	177	33,0	18,0	35,5	6	150	0,0	18,0	35,5	73,0	-	
70	UCFCE214	215	177	33,0	18,0	44,4	6	150	0,0	18,0	-	-	74,6	
	EXFCE214	215	177	33,0	18,0	51,6	6	150	0,0	18,0	-	-	85,7	
	UKFCE216H	220	184	33,0	18,5	37,0	6	160	-2,0	18,0	39,0	78,0	-	
75	UCFCE215	220	184	33,0	18,0	44,5	6	160	0,0	18,0	-	-	77,8	
	EXFCE215	220	184	33,0	18,0	54,8	6	160	0,0	18,0	-	-	92,1	
80	UCFCE216	220	184	33,0	18,5	51,3	6	160	-2,0	18,0	-	-	82,6	
	EXFCE216	220	184	33,0	18,5	59,9	6	160	-2,0	18,0	-	-	95,2	
	UKFCE218H	265	220	37,0	22,5	38,0	3	190	-4,0	23,0	42,0	86,0	-	
90	UCFCE218	265	220	37,0	22,5	60,3	3	190	-4,0	23,0	-	-	96,0	
	EXFCE218	265	220	37,0	22,5	50,5	3	190	-4,0	23,0	-	-	72,5	



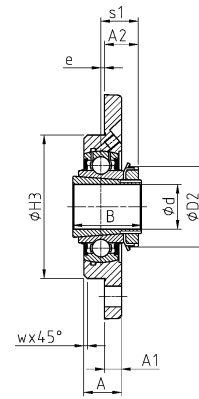
USFCE200



ESFCE200



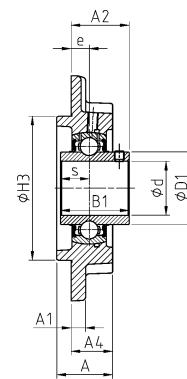
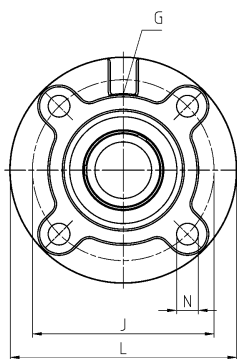
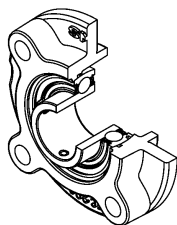
EXFCE200



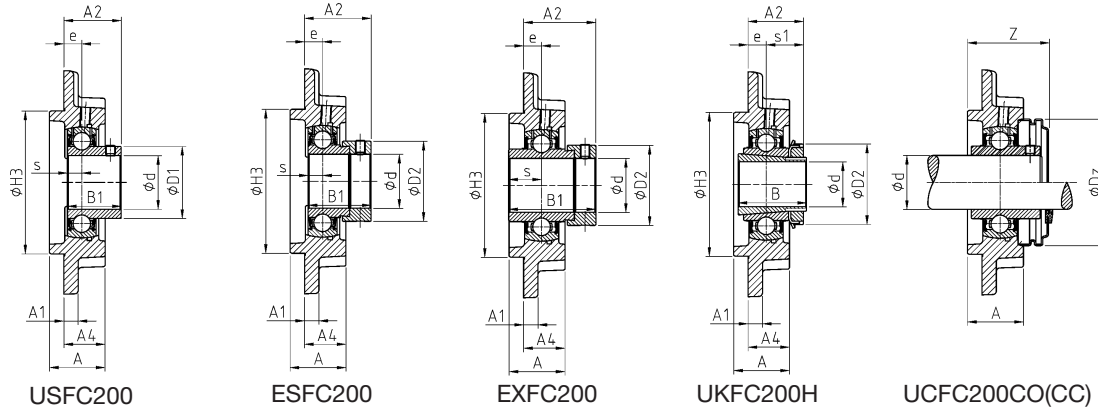
UKFCE200H

				Housing	Bearing insert	Dynamic load rating	Static load rating	Weight	Shaft diameter
s	D1	D2	G			C _r [kN]	C _{0r} [kN]	[kg]	d [mm]
19,0	57,2	-	M6x1	FCE209	UC209	31,85	20,80	1,9	45
10,2	57,2	-	M6x1	FCE209	US209	31,85	20,80	1,8	45
11,0	-	63,5	M6x1	FCE209	ES209	31,85	20,80	1,9	45
21,4	-	63,5	M6x1	FCE209	EX209	31,85	20,80	2,1	45
-	-	70,0	M8x1	FCE210	UK210 + H2310	35,10	23,20	2,4	45
19,0	61,8	-	M8x1	FCE210	UC210	35,10	23,20	2,2	50
10,9	61,8	-	M8x1	FCE210	US210	35,10	23,20	2,2	50
11,0	-	69,9	M8x1	FCE210	ES210	35,10	23,20	2,2	50
24,6	-	69,9	M8x1	FCE210	EX210	35,10	23,20	2,4	50
-	-	75,0	M6x1	FCE211	UK211 + H2311	43,55	29,20	3,2	50
22,2	69,0	-	M6x1	FCE211	UC211	43,55	29,20	3,1	55
11,8	69,0	-	M6x1	FCE211	US211	43,55	29,20	3,1	55
12,0	-	76,2	M6x1	FCE211	ES211	43,55	29,20	2,9	55
27,7	-	76,2	M6x1	FCE211	EX211	43,55	29,20	3,4	55
-	-	80,0	R1/8"	FCE212	UK212 + H2312	52,50	32,80	3,9	55
25,4	74,9	-	R1/8"	FCE212	UC212	52,50	32,80	3,9	60
14,9	74,9	-	R1/8"	FCE212	US212	52,50	32,80	3,7	60
12,0	-	84,2	R1/8"	FCE212	ES212	52,50	32,80	3,6	60
30,9	-	84,2	R1/8"	FCE212	EX212	52,50	32,80	4,2	60
-	-	85,0	R1/8"	FCE213	UK213 + H2313	57,20	40,00	5,0	60
25,4	82,0	-	R1/8"	FCE213	UC213	57,20	40,00	4,9	65
34,1	-	86,0	R1/8"	FCE213	EX213	57,20	40,00	5,5	65
-	-	98,0	R1/8"	FCE215	UK215 + H2315	66,00	49,50	5,8	65
30,2	86,5	-	R1/8"	FCE214	UC214	62,00	45,00	5,1	70
34,1	-	96,8	R1/8"	FCE214	EX214	62,00	45,00	5,6	70
-	-	105,0	R1/8"	FCE216	UK216 + H2316	72,50	54,20	6,1	70
33,3	91,5	-	R1/8"	FCE215	UC215	66,00	49,50	5,5	75
37,3	-	102,0	R1/8"	FCE215	EX215	66,00	49,50	6,1	75
33,3	98,0	-	R1/8"	FCE216	UC216	72,50	54,20	5,6	80
37,3	-	110,0	R1/8"	FCE216	EX216	72,50	54,20	5,9	80
-	-	120,0	R1/8"	FCE218	UK218 + H2318	96,00	71,50	9,8	80
39,7	111,0	-	R1/8"	FCE218	UC218	96,00	71,50	9,6	90
24,5	-	120,0	R1/8"	FCE218	EX218	96,00	71,50	10,0	90



Housing FC200 relubricatable

UCFC200

Shaft diameter		Unit		Main dimensions [mm]												
d [mm]		L	J	A	A1	A2	A4	H3	e	N	s1	B	B1	s	D1	
12	UCFC201	100	78	25,5	6	28,3	20,5	62	10	12	-	-	31,0	12,7	29,0	
	USFC201	90	70	23,0	5	26,0	19,0	55	10	12	-	-	22,0	6,0	24,6	
	ESFC201	90	70	23,0	5	32,1	19,0	55	10	12	-	-	28,6	6,5	-	
	EXFC201	100	78	25,5	6	36,5	20,5	62	10	12	-	-	43,5	17,0	-	
15	UCFC202	100	78	25,5	6	28,3	20,5	62	10	12	-	-	31,0	12,7	29,0	
	USFC202	90	70	23,0	5	26,0	19,0	55	10	12	-	-	22,0	6,0	24,6	
	ESFC202	90	70	23,0	5	32,1	19,0	55	10	12	-	-	28,6	6,5	-	
	EXFC202	100	78	25,5	6	36,5	20,5	62	10	12	-	-	43,5	17,0	-	
17	UCFC203	100	78	25,5	6	28,3	20,5	62	10	12	-	-	31,0	12,7	29,0	
	USFC203	90	70	23,0	5	26,0	19,0	55	10	12	-	-	22,0	6,0	24,6	
	ESFC203	90	70	23,0	5	32,1	19,0	55	10	12	-	-	28,6	6,5	-	
	EXFC203	100	78	25,5	6	36,5	20,5	62	10	12	-	-	43,5	17,0	-	
20	UCFC204	100	78	25,5	6	28,3	20,5	62	10	12	-	-	31,0	12,7	29,0	
	USFC204	100	78	25,5	6	28,0	20,5	62	10	12	-	-	25,0	7,0	29,0	
	ESFC204	100	78	25,5	6	33,4	20,5	62	10	12	-	-	30,9	7,5	-	
	EXFC204	100	78	25,5	6	36,5	20,5	62	10	12	-	-	43,5	17,0	-	
	UKFC205H	115	90	27,0	7	28,5	21,0	70	10	12	18,5	35,0	-	-	-	
25	UCFC205	115	90	27,0	7	29,7	21,0	70	10	12	-	-	34,0	14,3	34,0	
	USFC205	115	90	27,0	7	29,5	21,0	70	10	12	-	-	27,0	7,5	34,0	
	ESFC205	115	90	27,0	7	33,4	21,0	70	10	12	-	-	30,9	7,5	-	
	EXFC205	115	90	27,0	7	36,9	21,0	70	10	12	-	-	44,3	17,4	-	
	UKFC206H	125	100	31,0	8	30,5	23,0	80	10	12	20,5	38,0	-	-	-	
30	UCFC206	125	100	31,0	8	32,2	23,0	80	10	12	-	-	38,1	15,9	40,3	
	USFC206	125	100	31,0	8	32,0	23,0	80	10	12	-	-	30,0	8,0	40,3	
	ESFC206	125	100	31,0	8	36,7	23,0	80	10	12	-	-	35,7	9,0	-	
	EXFC206	125	100	31,0	8	40,1	23,0	80	10	12	-	-	48,3	18,2	-	
	UKFC207H	135	110	34,0	9	33,5	26,0	90	11	14	22,5	43,0	-	-	-	
35	UCFC207	135	110	34,0	9	36,4	26,0	90	11	14	-	-	42,9	17,5	48,0	
	USFC207	135	110	34,0	9	34,5	26,0	90	11	14	-	-	32,0	8,5	48,0	
	ESFC207	135	110	34,0	9	40,4	26,0	90	11	14	-	-	38,9	9,5	-	
	EXFC207	135	110	34,0	9	43,3	26,0	90	11	14	-	-	51,1	18,8	-	
	UKFC208H	145	120	36,0	9	35,5	26,0	100	11	14	24,5	46,0	-	-	-	
40	UCFC208	145	120	36,0	9	41,2	26,0	100	11	14	-	-	49,2	19,0	53,0	
	USFC208	145	120	36,0	9	36,0	26,0	100	11	14	-	-	34,0	9,0	53,0	
	ESFC208	145	120	36,0	9	43,7	26,0	100	11	14	-	-	43,7	11,0	-	
	EXFC208	145	120	36,0	9	45,9	26,0	100	11	14	-	-	56,3	21,4	-	
	UKFC209H	160	132	38,0	10	36,0	26,0	105	10	16	26,0	50,0	-	-	-	



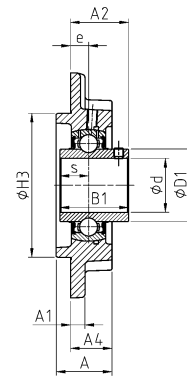
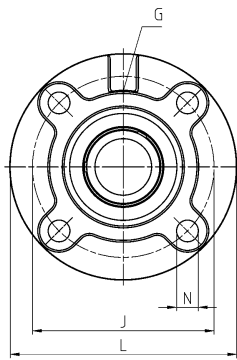
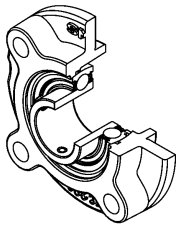
				Housing	Bearing insert	Open protec- tive cap *	Closed protec- tive cap **	Dynamic load rating	Static load rating	Weight	Shaft diameter
D2	G	Z	Dz					C _r [kN]	C _{0r} [kN]	[kg]	d [mm]
-	M6x1	36,5	54,0	FC204	UC201	CO	CC	12,80	6,65	0,7	12
-	M6x1	34,0	46,0	FC203	US201	CO	CC	9,55	4,78	0,5	
28,6	M6x1	***	***	FC203	ES201	***	***	9,55	4,78	0,5	
33,3	M6x1	***	***	FC204	EX201	***	***	12,80	6,65	0,8	
-	M6x1	36,5	54,0	FC204	UC202	CO	CC	12,80	6,65	0,7	15
-	M6x1	34,0	46,0	FC203	US202	CO	CC	9,55	4,78	0,5	
28,6	M6x1	***	***	FC203	ES202	***	***	9,55	4,78	0,5	
33,3	M6x1	***	***	FC204	EX202	***	***	12,80	6,65	0,7	
-	M6x1	36,5	54,0	FC204	UC203	CO	CC	12,80	6,65	0,6	17
-	M6x1	34,0	46,0	FC203	US203	CO	CC	9,55	4,78	0,5	
28,6	M6x1	***	***	FC203	ES203	***	***	9,55	4,78	0,5	
33,3	M6x1	***	***	FC204	EX203	***	***	12,80	6,65	0,7	
-	M6x1	36,5	54,0	FC204	UC204	CO	CC	12,80	6,65	0,6	20
-	M6x1	36,5	54,0	FC204	US204	CO	CC	12,80	6,65	0,6	
33,3	M6x1	***	***	FC204	ES204	***	***	12,80	6,65	0,6	
33,3	M6x1	***	***	FC204	EX204	***	***	12,80	6,65	0,7	
38,0	M6x1	39,1	60,0	FC205	UK205 + H2305	CO	CC	14,00	7,88	1,0	
-	M6x1	39,1	60,0	FC205	UC205	CO	CC	14,00	7,88	1,0	25
-	M6x1	39,1	60,0	FC205	US205	CO	CC	14,00	7,88	0,9	
38,1	M6x1	***	***	FC205	ES205	***	***	14,00	7,88	0,9	
38,1	M6x1	***	***	FC205	EX205	***	***	14,00	7,88	1,0	
45,0	M6x1	44,1	70,0	FC206	UK206 + H2306	CO	CC	19,50	11,20	1,3	
-	M6x1	44,1	70,0	FC206	UC206	CO	CC	19,50	11,20	1,3	30
-	M6x1	44,1	70,0	FC206	US206	CO	CC	19,50	11,20	1,2	
44,5	M6x1	***	***	FC206	ES206	***	***	19,50	11,20	1,3	
44,5	M6x1	***	***	FC206	EX206	***	***	19,50	11,20	1,4	
52,0	M6x1	48,8	80,0	FC207	UK207 + H2307	CO	CC	25,70	15,20	1,7	
-	M6x1	48,8	80,0	FC207	UC207	CO	CC	25,70	15,20	1,7	35
-	M6x1	48,8	80,0	FC207	US207	CO	CC	25,70	15,20	1,6	
55,6	M6x1	***	***	FC207	ES207	***	***	25,70	15,20	1,7	
55,6	M6x1	***	***	FC207	EX207	***	***	25,70	15,20	1,8	
58,0	M6x1	55,1	88,0	FC208	UK208 + H2308	CO	CC	29,60	18,20	2,1	
-	M6x1	55,1	88,0	FC208	UC208	CO	CC	29,60	18,20	2,0	40
-	M6x1	55,1	88,0	FC208	US208	CO	CC	29,60	18,20	2,0	
60,3	M6x1	***	***	FC208	ES208	***	***	29,60	18,20	2,0	
60,3	M6x1	***	***	FC208	EX208	***	***	29,60	18,20	2,2	
65,0	M6x1	56,7	95,0	FC209	UK209 + H2309	CO	CC	31,85	20,80	2,6	

* = Equipped with one open protective caps for passing shafts: Suffix CO see example on page 6

** = Equipped with one closed protective cap for shaft ends: Suffix CC see example on page 6

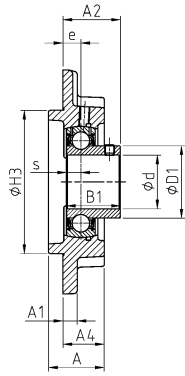
*** = Protective cap for bearing inserts with eccentric locking collar at request

Housing FC200 relubricatable

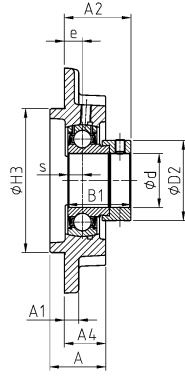


UCFC200

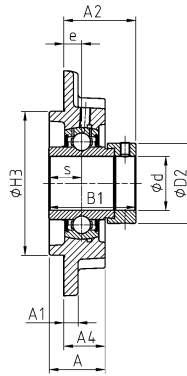
Shaft diameter		Unit		Main dimensions [mm]												
d [mm]		L	J	A	A1	A2	A4	H3	e	N	s1	B	B1	s	D1	
								h8								
45	UCFC209	160	132	38,0	10	40,2	26,0	105	10	16	-	-	49,2	19,0	57,2	
	USFC209	160	132	38,0	10	41,0	26,0	105	10	16	-	-	41,2	10,2	57,2	
	ESFC209	160	132	38,0	10	42,7	26,0	105	10	16	-	-	43,7	11,0	-	
	EXFC209	160	132	38,0	10	44,9	26,0	105	10	16	-	-	56,3	21,4	-	
	UKFC210H	165	138	40,0	14	37,5	28,0	110	10	16	27,5	55,0	-	-	-	
50	UCFC210	165	138	40,0	14	42,6	28,0	110	10	16	-	-	51,6	19,0	61,8	
	USFC210	165	138	40,0	14	42,6	28,0	110	10	16	-	-	43,5	10,9	61,8	
	ESFC210	165	138	40,0	14	42,7	28,0	110	10	16	-	-	43,7	11,0	-	
	EXFC210	165	138	40,0	14	48,1	28,0	110	10	16	-	-	62,7	24,6	-	
	UKFC211H	185	150	42,0	13	42,0	30,0	125	13	19	29,0	59,0	-	-	-	
55	UCFC211	185	150	42,0	13	46,4	30,0	125	13	19	-	-	55,6	22,2	69,0	
	USFC211	185	150	42,0	13	46,5	30,0	125	13	19	-	-	45,3	11,8	69,0	
	ESFC211	185	150	42,0	13	49,4	30,0	125	13	19	-	-	48,4	12,0	-	
	EXFC211	185	150	42,0	13	56,6	30,0	125	13	19	-	-	71,3	27,7	-	
	UKFC212H	195	160	48,0	15	48,0	36,0	135	17	19	31,0	62,0	-	-	-	
60	UCFC212	195	160	48,0	15	56,7	36,0	135	17	19	-	-	65,1	25,4	74,9	
	USFC212	195	160	48,0	15	55,8	36,0	135	17	19	-	-	53,7	14,9	74,9	
	ESFC212	195	160	48,0	15	54,3	36,0	135	17	19	-	-	49,3	12,0	-	
	EXFC212	195	160	48,0	15	63,8	36,0	135	17	19	-	-	77,7	30,9	-	
	UKFC213H	205	170	49,0	15	48,0	35,0	145	16	19	32,0	65,0	-	-	-	
65	UCFC213	205	170	49,0	15	55,7	35,0	145	16	19	-	-	65,1	25,4	82,0	
	EXFC213	205	170	49,0	15	67,6	35,0	145	16	19	-	-	85,7	34,1	-	
	UKFC215H	220	184	55,0	17	53,5	39,0	160	18	19	35,5	73,0	-	-	-	
70	UCFC214	215	177	52,0	16	61,4	38,0	150	17	19	-	-	74,6	30,2	86,5	
	EXFC214	215	177	52,0	16	68,6	38,0	150	17	19	-	-	85,7	34,1	-	
	UKFC216H	240	200	58,0	18	57,0	42,0	170	18	23	39,0	78,0	-	-	-	
75	UCFC215	220	184	55,0	17	62,5	39,0	160	18	19	-	-	77,8	33,3	91,5	
	EXFC215	220	184	55,0	17	72,8	39,0	160	18	19	-	-	92,1	37,3	-	
	UKFC217H	250	208	63,0	20	58,0	45,0	180	18	23	40,0	82,0	-	-	-	
80	UCFC216	240	200	58,0	18	67,3	42,0	170	18	23	-	-	82,6	33,3	98,0	
	EXFC216	240	200	58,0	18	75,9	42,0	170	18	23	-	-	95,2	37,3	-	
	UKFC218H	265	220	68,0	20	64,0	50,0	190	22	23	42,0	86,0	-	-	-	
85	UCFC217	250	208	63,0	20	69,6	45,0	180	18	23	-	-	85,7	34,1	105,1	
	EXFC217	250	208	63,0	20	65,6	45,0	180	18	23	-	-	73,2	23,4	-	
90	UCFC218	265	220	68,0	20	78,3	50,0	190	22	23	-	-	96,0	39,7	111,0	
	EXFC218	265	220	68,0	20	68,5	50,0	190	22	23	-	-	72,5	24,5	-	



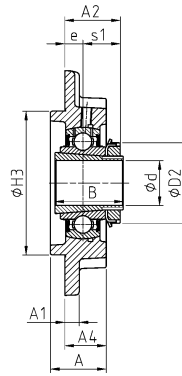
USFC200



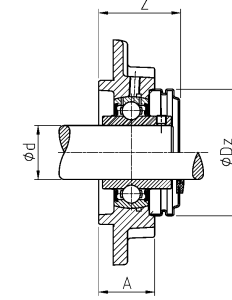
ESFC200



EXFC200



UKFC200H



UCFC200CO(CC)

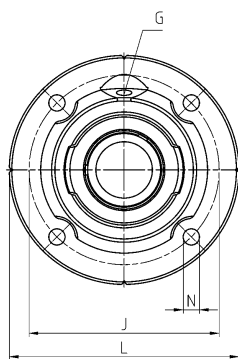
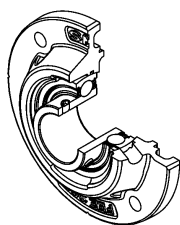
				Housing	Bearing insert	Open protec- tive cap *	Closed protec- tive cap **	Dynamic load rating	Static load rating	Weight	Shaft diameter
D2	G	Z	Dz					C _r [kN]	C _{0r} [kN]	[kg]	d [mm]
-	M6x1	56,7	95,0	FC209	UC209	CO	CC	31,85	20,80	2,5	45
-	M6x1	56,7	95,0	FC209	US209	CO	CC	31,85	20,80	2,4	
63,5	M6x1	***	***	FC209	ES209	***	***	31,85	20,80	2,5	
63,5	M6x1	***	***	FC209	EX209	***	***	31,85	20,80	2,7	
70,0	M6x1	59,3	100,0	FC210	UK210 + H2310	CO	CC	35,10	23,20	3,0	
-	M6x1	59,3	100,0	FC210	UC210	CO	CC	35,10	23,20	2,9	50
-	M6x1	59,3	100,0	FC210	US210	CO	CC	35,10	23,20	2,8	
69,9	M6x1	***	***	FC210	ES210	***	***	35,10	23,20	2,9	
69,9	M6x1	***	***	FC210	EX210	***	***	35,10	23,20	3,1	
75,0	M6x1	62,8	110,0	FC211	UK211 + H2311	CO	CC	43,55	29,20	3,9	
-	M6x1	62,8	110,0	FC211	UC211	CO	CC	43,55	29,20	3,9	55
-	M6x1	62,8	110,0	FC211	US211	CO	CC	43,55	29,20	3,8	
76,2	M6x1	***	***	FC211	ES211	***	***	43,55	29,20	3,6	
76,2	M6x1	***	***	FC211	EX211	***	***	43,55	29,20	4,1	
80,0	M6x1	73,2	120,0	FC212	UK212 + H2312	CO	CC	52,50	32,80	4,9	
-	M6x1	73,2	120,0	FC212	UC212	CO	CC	52,50	32,80	5,0	60
-	M6x1	73,2	120,0	FC212	US212	CO	CC	52,50	32,80	4,7	
84,2	M6x1	***	***	FC212	ES212	***	***	52,50	32,80	4,6	
84,2	M6x1	***	***	FC212	EX212	***	***	52,50	32,80	5,3	
85,0	M6x1	74,5	132,0	FC213	UK213 + H2313	CO	CC	57,20	40,00	5,6	
-	M6x1	74,5	132,0	FC213	UC213	CO	CC	57,20	40,00	5,5	65
86,0	M6x1	***	***	FC213	EX213	***	***	57,20	40,00	6,1	
98,0	M10x1	-	-	FC215	UK215 + H2315	-	-	66,00	49,50	6,4	
-	M10x1	-	-	FC214	UC214	-	-	62,00	45,00	6,4	70
96,8	M10x1	-	-	FC214	EX214	-	-	62,00	45,00	6,9	
105,0	M10x1	-	-	FC216	UK216 + H2316	-	-	72,50	54,20	9,5	
-	M10x1	-	-	FC215	UC215	-	-	66,00	49,50	7,2	75
102,0	M10x1	-	-	FC215	EX215	-	-	66,00	49,50	7,8	
110,0	M10x1	-	-	FC217	UK217 + H2317	-	-	83,20	63,80	11,1	
-	M10x1	-	-	FC216	UC216	-	-	72,50	54,20	9,0	80
110,0	M10x1	-	-	FC216	EX216	-	-	72,50	54,20	9,4	
120,0	M10x1	-	-	FC218	UK218 + H2318	-	-	96,00	71,50	13,4	
-	M10x1	-	-	FC217	UC217	-	-	83,20	63,80	10,6	85
119,0	M10x1	-	-	FC217	EX217	-	-	83,20	63,80	11,0	
-	M10x1	-	-	FC218	UC218	-	-	96,00	71,50	13,2	90
120,0	M10x1	-	-	FC218	EX218	-	-	96,00	71,50	13,6	

* = Equipped with one open protective caps for passing shafts: Suffix CO see example on page 6

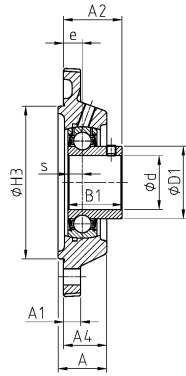
** = Equipped with one closed protective cap for shaft ends: Suffix CC see example on page 6

*** = Protective cap for bearing inserts with eccentric locking collar at request

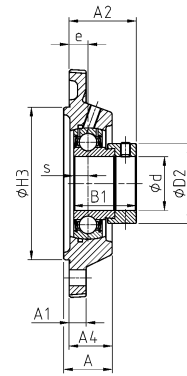
Housing FEE200 relubricatable



Shaft diameter		Unit		Main dimensions [mm]								
d [mm]		L	J	A	A1	A2	A4	H3 h8	e	N	B1	
25	USFEE205	115	92	23,5	9,0	29,0	20,5	75	9,5	9,0	27,0	
	ESFEE205	115	92	23,5	9,0	32,9	20,5	75	9,5	9,0	30,9	
30	USFEE206	127	105	27,0	9,5	32,5	24,0	85	10,5	9,0	30,0	
	ESFEE206	127	105	27,0	9,5	37,2	24,0	85	10,5	9,0	35,7	
35	USFEE207	135	110	28,0	10,0	32,5	24,0	90	9,0	11,5	32,0	
	ESFEE207	135	110	28,0	10,0	38,4	24,0	90	9,0	11,5	38,9	
40	USFEE208	145	120	31,0	11,5	36,5	27,0	100	11,5	11,5	34,0	
	ESFEE208	145	120	31,0	11,5	44,2	27,0	100	11,5	11,5	43,7	
45	USFEE209	155	130	31,5	12,0	42,5	27,5	105	11,5	14,0	41,2	
	ESFEE209	155	130	31,5	12,0	44,2	27,5	105	11,5	14,0	43,7	
50	USFEE210	165	136	32,5	13,0	45,1	28,5	115	12,5	14,0	43,5	
	ESFEE210	165	136	32,5	13,0	45,2	28,5	115	12,5	14,0	43,7	
60	USFEE212	195	165	40,5	16,0	55,8	36,5	140	17,0	14,0	53,7	
	ESFEE212	195	165	40,5	16,0	54,3	36,5	140	17,0	14,0	49,3	



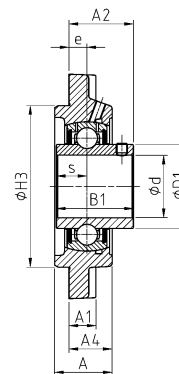
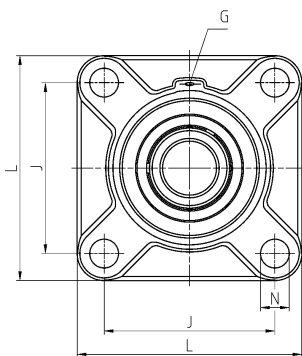
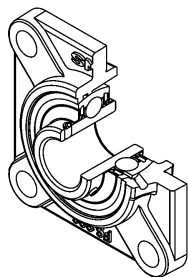
USFEE200



ESFEE200

				Housing	Bearing insert	Dynamic load rating	Static load rating	Weight	Shaft diameter
s	D1	D2	G			C _r [kN]	C _{0r} [kN]	[kg]	d [mm]
7,5	34,0	-	R1/8"	FEE205	US205	14,00	7,88	0,8	25
7,5	-	38,1	R1/8"	FEE205	ES205	14,00	7,88	0,8	
8,0	40,3	-	R1/8"	FEE206	US206	19,50	11,20	1,1	30
9,0	-	44,5	R1/8"	FEE206	ES206	19,50	11,20	1,2	
8,5	48,0	-	R1/8"	FEE207	US207	25,70	15,20	1,4	35
9,5	-	55,6	R1/8"	FEE207	ES207	25,70	15,20	1,5	
9,0	53,0	-	R1/8"	FEE208	US208	29,60	18,20	1,8	40
11,0	-	60,3	R1/8"	FEE208	ES208	29,60	18,20	1,9	
10,2	57,2	-	R1/8"	FEE209	US209	31,85	20,80	2,1	45
11,0	-	63,5	R1/8"	FEE209	ES209	31,85	20,80	2,1	
10,9	61,8	-	R1/8"	FEE210	US210	35,10	23,20	2,5	50
11,0	-	69,9	R1/8"	FEE210	ES210	35,10	23,20	2,5	
14,9	74,9	-	R1/8"	FEE212	US212	52,50	32,80	4,3	60
12,0	-	84,2	R1/8"	FEE212	ES212	52,50	32,80	4,2	

Housing FS300 relubricatable

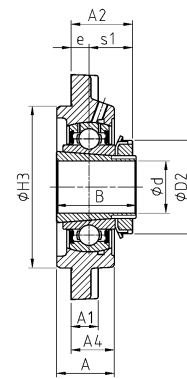
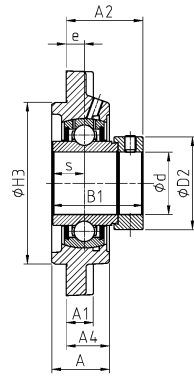


UCFS300

Shaft diameter
Unit

Main dimensions [mm]

d [mm]	Unit	L	J	A	A1	A2	A4	H3 h8	e	N	s1	B	B1	s
20	UKFS305H	110	80	29	13	30,5	22	80	9	16	21,5	35,0	-	-
25	UCFS305	110	80	29	13	32,0	22	80	9	16	-	-	38,0	15,0
	EXFS305	110	80	29	13	39,1	22	80	9	16	-	-	46,8	16,7
	UKFS306H	125	95	32	15	33,0	24	90	10	16	23,0	38,0	-	-
30	UCFS306	125	95	32	15	36,0	24	90	10	16	-	-	43,0	17,0
	EXFS306	125	95	32	15	42,5	24	90	10	16	-	-	50,0	17,5
	UKFS307H	135	100	36	16	36,5	27	100	11	19	25,5	43,0	-	-
35	UCFS307	135	100	36	16	40,0	27	100	11	19	-	-	48,0	19,0
	EXFS307	135	100	36	16	44,3	27	100	11	19	-	-	51,6	18,3
	UKFS308H	150	112	40	17	40,5	30	115	13	19	27,5	46,0	-	-
40	UCFS308	150	112	40	17	46,0	30	115	13	19	-	-	52,0	19,0
	EXFS308	150	112	40	17	50,3	30	115	13	19	-	-	57,1	19,8
	UKFS309H	160	125	44	18	44,0	33	125	14	19	30,0	50,0	-	-
45	UCFS309	160	125	44	18	49,0	33	125	14	19	-	-	57,0	22,0
	EXFS309	160	125	44	18	52,9	33	125	14	19	-	-	58,7	19,8
	UKFS310H	175	132	48	19	48,0	36	140	16	23	32,0	55,0	-	-
50	UCFS310	175	132	48	19	55,0	36	140	16	23	-	-	61,0	22,0
	EXFS310	175	132	48	19	58,0	36	140	16	23	-	-	66,6	24,6
	UKFS311H	185	140	52	20	51,0	39	150	17	23	34,0	59,0	-	-
55	UCFS311	185	140	52	20	58,0	39	150	17	23	-	-	66,0	25,0
	EXFS311	185	140	52	20	62,2	39	150	17	23	-	-	73,0	27,8
	UKFS312H	195	150	56	22	55,5	42	160	19	23	36,5	62,0	-	-
60	UCFS312	195	150	56	22	64,0	42	160	19	23	-	-	71,0	26,0
	EXFS312	195	150	56	22	67,4	42	160	19	23	-	-	79,4	30,95
	UKFS313H	208	166	58	22	53,5	40	175	15	23	38,5	65,0	-	-
65	UCFS313	208	166	58	22	60,0	40	175	15	23	-	-	75,0	30,0
	EXFS313	208	166	58	22	68,2	40	175	15	23	-	-	85,7	32,5
	UKFS315H	236	184	66	25	63,5	48	200	21	25	42,5	73,0	-	-
70	UCFS314	226	178	61	25	65,0	43	185	18	25	-	-	78,0	33,0
	EXFS314	226	178	61	25	75,9	43	185	18	25	-	-	92,1	34,15
	UKFS316H	250	196	68	27	62,5	48	210	18	31	44,5	78,0	-	-
75	UCFS315	236	184	66	25	71,0	48	200	21	25	-	-	82,0	32,0
	EXFS315	236	184	66	25	83,7	48	200	21	25	-	-	100,0	37,3
	UKFS317H	260	204	74	27	72,0	54	220	24	31	48,0	82,0	-	-



EXFS300

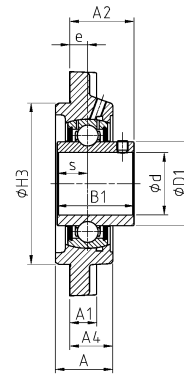
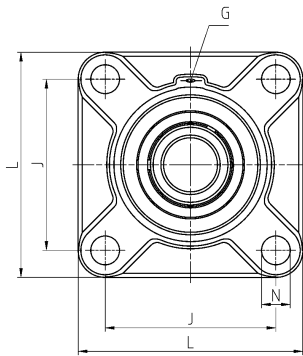
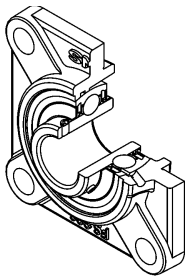
UKFS300H

Housing *Bearing insert* *Dynamic load rating* *Static load rating* *Weight* *Shaft diameter*

D1	D2	G			C _r [kN]	C _{0r} [kN]	[kg]	d [mm]
35,4	38,0	M6x1	FS305	UK305 + H2305	22,36	11,50	1,4	20
35,4	-	M6x1	FS305	UC305	22,36	11,50	1,2	25
-	42,8	M6x1	FS305	EX305	22,36	11,50	1,3	
-	45,0	M6x1	FS306	UK306 + H2306	27,00	15,20	1,8	
44,6	-	M6x1	FS306	UC306	27,00	15,20	1,8	30
-	50,0	M6x1	FS306	EX306	27,00	15,20	1,9	
-	52,0	M6x1	FS307	UK307 + H2307	33,50	19,20	2,5	
48,9	-	M6x1	FS307	UC307	33,50	19,20	2,3	35
-	55,0	M6x1	FS307	EX307	33,50	19,20	2,4	
-	58,0	M6x1	FS308	UK308 + H2308	40,56	24,00	3,2	
56,5	-	M6x1	FS308	UC308	40,56	24,00	3,1	40
-	63,5	M6x1	FS308	EX308	40,56	24,00	3,2	
-	65,0	M6x1	FS309	UK309 + H2309	53,00	31,80	4,0	
61,8	-	M6x1	FS309	UC309	53,00	31,80	3,9	45
-	70,0	M6x1	FS309	EX309	53,00	31,80	4,0	
-	70,0	M6x1	FS310	UK310 + H2310	62,00	37,80	5,0	
68,7	-	M6x1	FS310	UC310	62,00	37,80	4,9	50
-	76,2	M6x1	FS310	EX310	62,00	37,80	5,1	
-	75,0	M6x1	FS311	UK311 + H2311	71,50	44,80	6,0	
74,9	-	M6x1	FS311	UC311	71,50	44,80	5,7	55
-	83,0	M6x1	FS311	EX311	71,50	44,80	6,1	
-	80,0	M6x1	FS312	UK312 + H2312	81,60	51,80	7,4	
81,0	-	M6x1	FS312	UC312	81,60	51,80	7,5	60
-	89,0	M6x1	FS312	EX312	81,60	51,80	7,8	
-	85,0	M6x1	FS313	UK313 + H2313	93,86	60,50	8,8	
87,5	-	M6x1	FS313	UC313	93,86	60,50	8,8	65
-	97,0	M6x1	FS313	EX313	93,86	60,50	9,2	
-	98,0	M10x1	FS315	UK315 + H2315	113,36	76,80	13,1	
94,0	-	M10x1	FS314	UC314	104,26	68,00	11,0	70
-	102,0	M10x1	FS314	EX314	104,26	68,00	11,5	
-	105,0	M10x1	FS316	UK316 + H2316	122,85	86,50	15,1	
100,5	-	M10x1	FS315	UC315	113,36	76,80	12,4	75
-	113,0	M10x1	FS315	EX315	113,36	76,80	13,5	
-	110,0	M10x1	FS317	UK317 + H2317	132,60	96,50	17,3	

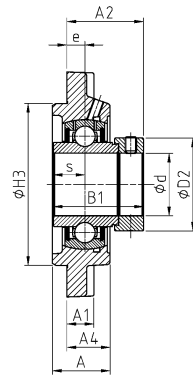


Housing FS300 relubricatable

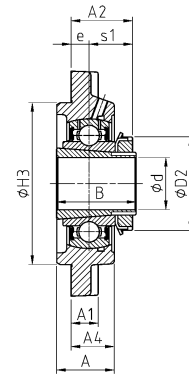


UCFS300

Shaft diameter		Unit		Main dimensions [mm]										
d [mm]		L	J	A	A1	A2	A4	H3	e	N	s1	B	B1	s
80	UCFS316	250	196	68	27	70,0	48	210	18	31	-	-	86,0	34,0
	EXFS316	250	196	68	27	83,9	48	210	18	31	-	-	106,4	40,5
	UKFS318H	280	216	76	30	72,0	56	240	24	35	48,0	86,0	-	-
85	UCFS317	260	204	74	27	80,0	54	220	24	31	-	-	96,0	40,0
	EXFS317	260	204	74	27	91,5	54	220	24	31	-	-	109,5	42,0
	UKFS319H	290	228	94	30	91,0	74	250	39	35	52,0	90,0	-	-
90	UCFS318	280	216	76	30	80,0	56	240	24	35	-	-	96,0	40,0
	EXFS318	280	216	76	30	96,3	56	240	24	35	-	-	115,9	43,6
	UKFS320H	310	242	94	32	93,0	74	260	39	38	54,0	97,0	-	-
95	UCFS319	290	228	94	30	101,0	74	250	39	35	-	-	103,0	41,0
	EXFS319	290	228	94	30	114,5	74	250	39	35	-	-	122,3	46,8
100	UCFS320	310	242	94	32	105,0	74	260	39	38	-	-	108,0	42,0
	EXFS320	310	242	94	32	117,6	74	260	39	38	-	-	128,6	50,0
	UKFS322H	340	266	96	35	96,0	71	300	35	41	61,0	105,0	-	-
105	UCFS321	310	242	94	32	107,0	74	260	39	38	-	-	112,0	44,0
110	UCFS322	340	266	96	35	106,0	71	300	35	41	-	-	117,0	46,0
	UKFS324H	370	290	110	40	100,0	80	330	35	41	65,0	112,0	-	-
115	UKFS326H	410	320	115	45	104,0	85	360	35	41	69,0	121,0	-	-
120	UCFS324	370	290	110	40	110,0	80	330	35	41	-	-	126,0	51,0
125	UKFS328H	450	350	125	55	118,0	95	400	45	41	73,0	131,0	-	-
130	UCFS326	410	320	115	45	116,0	85	360	35	41	-	-	135,0	54,0
140	UCFS328	450	350	125	55	131,0	95	400	45	41	-	-	145,0	59,0



EXFS300



UKFS300H

Housing

Bearing insert

Dynamic load rating

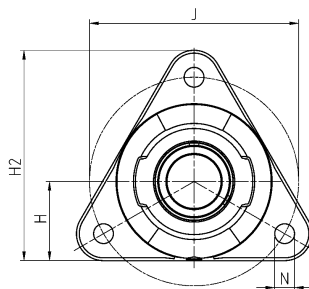
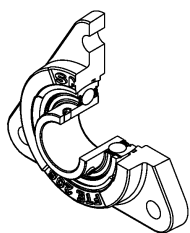
Static load rating

Weight

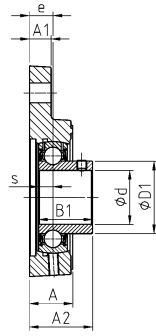
Shaft diameter

D1	D2	G			C _r [kN]	C _{0r} [kN]	[kg]	d [mm]
107,9	-	M10x1	FS316	UC316	122,85	86,50	14,9	80
-	119,0	M10x1	FS316	EX316	122,85	86,50	16,0	
-	120,0	M10x1	FS318	UK318 + H2318	143,00	108,00	21,3	
114,0	-	M10x1	FS317	UC317	132,60	96,50	17,3	85
-	127,0	M10x1	FS317	EX317	132,60	96,50	18,4	
-	125,0	M10x1	FS319	UK319 + H2319	156,00	122,00	25,2	
120,0	-	M10x1	FS318	UC318	143,00	108,00	21,2	90
-	133,0	M10x1	FS318	EX318	143,00	108,00	22,4	
134,5	130,0	M10x1	FS320	UK320 + H2320	171,60	140,00	29,1	
126,5	-	M10x1	FS319	UC319	156,00	122,00	24,9	95
-	140,0	M10x1	FS319	EX319	156,00	122,00	26,4	
134,5	-	M10x1	FS320	UC320	171,60	140,00	29,4	
-	146,0	M10x1	FS320	EX320	171,60	140,00	31,2	100
-	145,0	M10x1	FS322	UK322 + H2322	205,00	178,00	41,6	
140,5	-	M10x1	FS321	UC321	182,00	155,00	29,8	
149,0	-	M10x1	FS322	UC322	205,00	178,00	38,3	110
-	155,0	M10x1	FS324	UK324 + H2324	228,00	208,00	54,4	
176,1	165,0	M10x1	FS326	UK326 + H2326	252,00	242,00	72,8	
163,0	-	M10x1	FS324	UC324	228,00	208,00	51,7	120
-	180,0	M10x1	FS328	UK328 + H2328	275,00	272,00	98,7	
177,0	-	M10x1	FS326	UC326	252,00	242,00	67,9	
190,0	-	M10x1	FS328	UC328	275,00	272,00	92,8	140

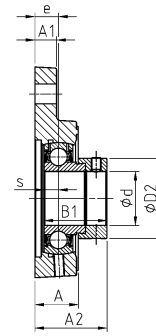
Housing FTE200 relubricatable



Shaft diameter		Unit		Main dimensions [mm]						
d [mm]		H	J	A	A1	A2	H2	e	N	
12	USFTE201	31	76,1	20	11	26,0	81	10,0	11,5	
	ESFTE201	31	76,1	20	11	32,1	81	10,0	11,5	
15	USFTE202	31	76,1	20	11	26,0	81	10,0	11,5	
	ESFTE202	31	76,1	20	11	32,1	81	10,0	11,5	
17	USFTE203	31	76,1	20	11	26,0	81	10,0	11,5	
	ESFTE203	31	76,1	20	11	32,1	81	10,0	11,5	
20	USFTE204	35	89,5	20	11	29,0	92	11,0	11,5	
	ESFTE204	35	89,5	20	11	34,4	92	11,0	11,5	
25	USFTE205	36	96,0	22	12	32,1	97	12,6	11,0	
	ESFTE205	36	96,0	22	12	36,0	97	12,6	11,0	
30	USFTE206	44	116,0	24	12	35,0	117	13,0	11,0	
	ESFTE206	44	116,0	24	12	39,7	117	13,0	11,0	
35	USFTE207	48	129,7	27	16	39,1	128	15,6	13,5	
	ESFTE207	48	129,7	27	16	45,0	128	15,6	13,5	
40	USFTE208	51	140,0	30	16	43,8	137	18,8	13,5	
	ESFTE208	51	140,0	30	16	51,5	137	18,8	13,5	
45	USFTE209	55	160,0	33	16	50,2	150	19,2	14,0	
	ESFTE209	55	160,0	33	16	51,9	150	19,2	14,0	
50	USFTE210	55	160,0	33	16	51,8	150	19,2	14,0	
	ESFTE210	55	160,0	33	16	51,9	150	19,2	14,0	



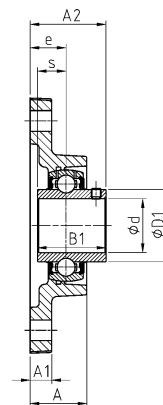
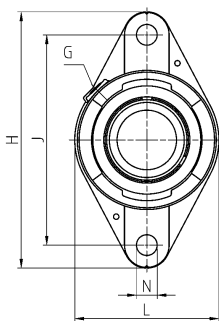
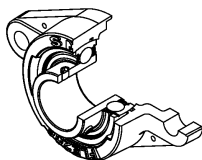
USFTE200



ESFTE200

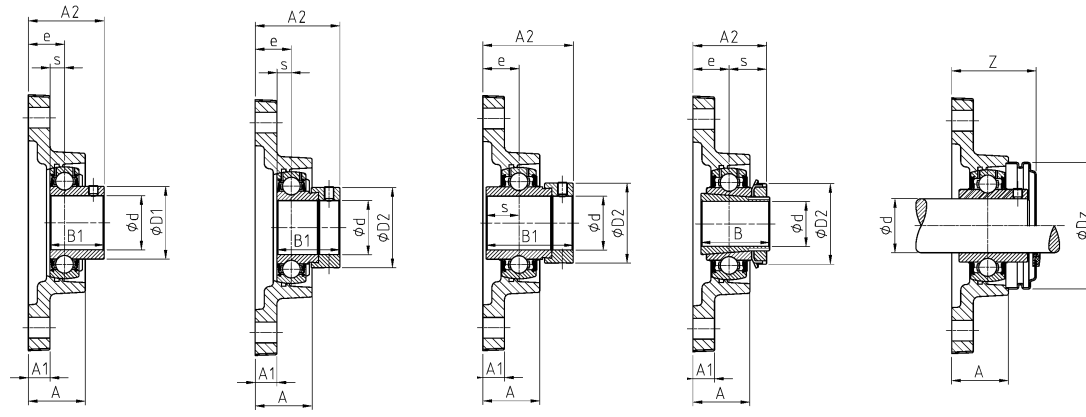
B1	s	D1	D2	G	Housing		Bearing insert	Dynamic load rating	Static load rating	Weight	Shaft diameter
							C_r [kN]	C_{0r} [kN]	[kg]	d [mm]	
22,0	6,0	24,6	-	M6x1	FTE202	US201	9,55	4,78	0,4	12	
28,6	6,5	-	28,6	M6x1	FTE202	ES201	9,55	4,78	0,4	12	
22,0	6,0	24,6	-	M6x1	FTE202	US202	9,55	4,78	0,4	15	
28,6	6,5	-	28,6	M6x1	FTE202	ES202	9,55	4,78	0,4	15	
22,0	6,0	24,6	-	M6x1	FTE202	US203	9,55	4,78	0,4	17	
28,6	6,5	-	28,6	M6x1	FTE202	ES203	9,55	4,78	0,4	17	
25,0	7,0	29,0	-	R1/8"	FTE204	US204	12,80	6,65	0,6	20	
30,9	7,5	-	33,3	R1/8"	FTE204	ES204	12,80	6,65	0,6	20	
27,0	7,5	34,0	-	R1/8"	FTE205	US205	14,00	7,88	0,6	25	
30,9	7,5	-	38,1	R1/8"	FTE205	ES205	14,00	7,88	0,6	25	
30,0	8,0	40,3	-	R1/8"	FTE206	US206	19,50	11,20	1,0	30	
35,7	9,0	-	44,5	R1/8"	FTE206	ES206	19,50	11,20	1,1	30	
32,0	8,5	48,0	-	R1/8"	FTE207	US207	25,70	15,20	1,4	35	
38,9	9,5	-	55,6	R1/8"	FTE207	ES207	25,70	15,20	1,5	35	
34,0	9,0	53,0	-	R1/8"	FTE208	US208	29,60	18,20	1,7	40	
43,7	11,0	-	60,3	R1/8"	FTE208	ES208	29,60	18,20	1,7	40	
41,2	10,2	57,2	-	R1/8"	FTE209	US209	31,85	20,80	2,1	45	
43,7	11,0	-	63,5	R1/8"	FTE209	ES209	31,85	20,80	2,1	45	
43,5	10,9	61,8	-	R1/8"	FTE210	US210	35,10	23,20	2,0	50	
43,7	11,0	-	69,9	R1/8"	FTE210	ES210	35,10	23,20	2,1	50	

Housing FLE200 relubricatable



UCFLE200

Shaft diameter		Unit		Main dimensions [mm]												
d [mm]		L	H	J	A	A1	A2	e	N	s1	B	B1	s	D1	D2	
12	UCFLE201	61	112	90,0	30,3	10,0	37,3	19	11,5	-	-	31,0	12,7	29,0	-	
	USFLE201	57	99	76,5	26,0	9,5	33,0	17	11,5	-	-	22,0	6,0	24,6	-	
	ESFLE201	57	99	76,5	26,0	9,5	33,0	17	11,5	-	-	28,6	6,5	-	28,6	
	EXFLE201	61	112	90,0	30,3	10,0	37,3	19	11,5	-	-	43,5	17,0	-	33,3	
15	UCFLE202	61	112	90,0	30,3	10,0	37,3	19	11,5	-	-	31,0	12,7	29,0	-	
	USFLE202	57	99	76,5	26,0	9,5	33,0	17	11,5	-	-	22,0	6,0	24,6	-	
	ESFLE202	57	99	76,5	26,0	9,5	33,0	17	11,5	-	-	28,6	6,5	-	28,6	
	EXFLE202	61	112	90,0	30,3	10,0	37,3	19	11,5	-	-	43,5	17,0	-	33,3	
17	UCFLE203	61	112	90,0	30,3	10,0	37,3	19	11,5	-	-	31,0	12,7	29,0	-	
	USFLE203	57	99	76,5	26,0	9,5	33,0	17	11,5	-	-	22,0	6,0	24,6	-	
	ESFLE203	57	99	76,5	26,0	9,5	33,0	17	11,5	-	-	28,6	6,5	-	28,6	
	EXFLE203	61	112	90,0	30,3	10,0	37,3	19	11,5	-	-	43,5	17,0	-	33,3	
20	UCFLE204	61	112	90,0	30,3	10,0	37,3	19	11,5	-	-	31,0	12,7	29,0	-	
	USFLE204	61	112	90,0	30,3	10,0	37,0	19	11,5	-	-	25,0	7,0	29,0	-	
	ESFLE204	61	112	90,0	30,3	10,0	42,4	19	11,5	-	-	30,9	7,5	-	33,3	
	EXFLE204	61	112	90,0	30,3	10,0	45,5	19	11,5	-	-	43,5	17,0	-	33,3	
	UKFLE205H	70	124	99,0	29,3	11,0	37,5	19	11,5	18,5	35,0	-	-	-	38,0	
25	UCFLE205	70	124	99,0	29,3	11,0	38,7	19	11,5	-	-	34,0	14,3	34,0	-	
	USFLE205	70	124	99,0	29,3	11,0	38,5	19	11,5	-	-	27,0	7,5	34,0	-	
	ESFLE205	70	124	99,0	29,3	11,0	42,4	19	11,5	-	-	30,9	7,5	-	38,1	
	EXFLE205	70	124	99,0	29,3	11,0	45,9	19	11,5	-	-	44,3	17,4	-	38,1	
	UKFLE206H	80	142	116,5	32,1	12,0	40,5	20	11,5	20,5	38,0	-	-	-	45,0	
30	UCFLE206	80	142	116,5	32,1	12,0	42,2	20	11,5	-	-	38,1	15,9	40,3	-	
	USFLE206	80	142	116,5	32,1	12,0	42,0	20	11,5	-	-	30,0	8,0	40,3	-	
	ESFLE206	80	142	116,5	32,1	12,0	46,7	20	11,5	-	-	35,7	9,0	-	44,5	
	EXFLE206	80	142	116,5	32,1	12,0	50,1	20	11,5	-	-	48,3	18,2	-	44,5	
	UKFLE207H	92	155	130,0	33,7	12,5	43,5	21	14,0	22,5	43,0	-	-	-	52,0	
35	UCFLE207	92	155	130,0	33,7	12,5	46,4	21	14,0	-	-	42,9	17,5	48,0	-	
	USFLE207	92	155	130,0	33,7	12,5	44,5	21	14,0	-	-	32,0	8,5	48,0	-	
	ESFLE207	92	155	130,0	33,7	12,5	50,4	21	14,0	-	-	38,9	9,5	-	55,6	
	EXFLE207	92	155	130,0	33,7	12,5	53,3	21	14,0	-	-	51,1	18,8	-	55,6	
	UKFLE208H	105	172	143,5	37,5	13,0	48,5	24	14,0	24,5	46,0	-	-	-	58,0	
40	UCFLE208	105	172	143,5	37,5	13,0	54,2	24	14,0	-	-	49,2	19,0	53,0	-	
	USFLE208	105	172	143,5	37,5	13,0	49,0	24	14,0	-	-	34,0	9,0	53,0	-	
	ESFLE208	105	172	143,5	37,5	13,0	56,7	24	14,0	-	-	43,7	11,0	-	60,3	
	EXFLE208	105	172	143,5	37,5	13,0	58,9	24	14,0	-	-	56,3	21,4	-	60,3	
	UKFLE209H	111	180	148,5	37,5	13,0	50,0	24	14,0	26,0	50,0	-	-	-	65,0	



USFLE200 ESFLE200 EXFLE200 UKFLE200H UCFLE200CO(CC)

			Housing	Bearing insert	Open protective cap *	Closed protective cap **	Dynamic load rating	Static load rating	Weight	Shaft diameter
G	Z	Dz					C _r [kN]	C _{0r} [kN]	[kg]	d [mm]
R1/8"	41,8	54,0	FLE204	UC201	CO	CC	12,80	6,65	0,5	12
R1/8"	41,8	46,0	FLE203	US201	CO	CC	9,55	4,78	0,4	
R1/8"	***	***	FLE203	ES201	***	***	9,55	4,78	0,4	
R1/8"	***	***	FLE204	EX201	***	***	12,80	6,65	0,6	
R1/8"	41,8	54,0	FLE204	UC202	CO	CC	12,80	6,65	0,5	15
R1/8"	41,8	46,0	FLE203	US202	CO	CC	9,55	4,78	0,4	
R1/8"	***	***	FLE203	ES202	***	***	9,55	4,78	0,4	
R1/8"	***	***	FLE204	EX202	***	***	12,80	6,65	0,6	
R1/8"	41,8	54,0	FLE204	UC203	CO	CC	12,80	6,65	0,5	17
R1/8"	41,8	46,0	FLE203	US203	CO	CC	9,55	4,78	0,4	
R1/8"	***	***	FLE203	ES203	***	***	9,55	4,78	0,4	
R1/8"	***	***	FLE204	EX203	***	***	12,80	6,65	0,6	
R1/8"	41,8	54,0	FLE204	UC204	CO	CC	12,80	6,65	0,5	20
R1/8"	41,8	54,0	FLE204	US204	CO	CC	12,80	6,65	0,4	
R1/8"	***	***	FLE204	ES204	***	***	12,80	6,65	0,5	
R1/8"	***	***	FLE204	EX204	***	***	12,80	6,65	0,5	
R1/8"	43,9	60,0	FLE205	UK205 + H2305	CO	CC	14,00	7,88	0,6	25
R1/8"	43,9	60,0	FLE205	UC205	CO	CC	14,00	7,88	0,6	
R1/8"	43,9	60,0	FLE205	US205	CO	CC	14,00	7,88	0,6	
R1/8"	***	***	FLE205	ES205	***	***	14,00	7,88	0,6	
R1/8"	***	***	FLE205	EX205	***	***	14,00	7,88	0,7	
R1/8"	46,9	70,0	FLE206	UK206 + H2306	CO	CC	19,50	11,20	0,9	30
R1/8"	46,9	70,0	FLE206	UC206	CO	CC	19,50	11,20	0,8	
R1/8"	46,9	70,0	FLE206	US206	CO	CC	19,50	11,20	0,8	
R1/8"	***	***	FLE206	ES206	***	***	19,50	11,20	0,9	
R1/8"	***	***	FLE206	EX206	***	***	19,50	11,20	0,9	
R1/8"	50,2	80,0	FLE207	UK207 + H2307	CO	CC	25,70	15,20	1,2	35
R1/8"	50,2	80,0	FLE207	UC207	CO	CC	25,70	15,20	1,1	
R1/8"	50,2	80,0	FLE207	US207	CO	CC	25,70	15,20	1,1	
R1/8"	***	***	FLE207	ES207	***	***	25,70	15,20	1,2	
R1/8"	***	***	FLE207	EX207	***	***	25,70	15,20	1,3	
R1/8"	57,9	88,0	FLE208	UK208 + H2308	CO	CC	29,60	18,20	1,7	40
R1/8"	57,9	88,0	FLE208	UC208	CO	CC	29,60	18,20	1,6	
R1/8"	57,9	88,0	FLE208	US208	CO	CC	29,60	18,20	1,6	
R1/8"	***	***	FLE208	ES208	***	***	29,60	18,20	1,6	
R1/8"	***	***	FLE208	EX208	***	***	29,60	18,20	1,8	
R1/8"	58,4	95,0	FLE209	UK209 + H2309	CO	CC	31,85	20,80	1,9	

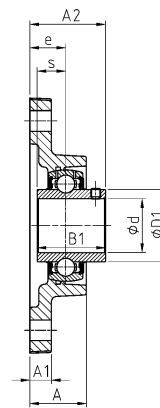
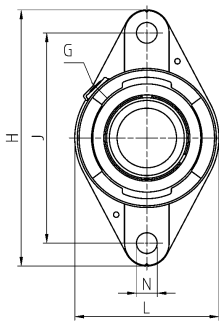
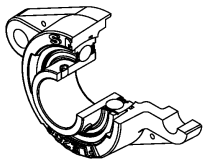
* = Equipped with one open protective caps for passing shafts: Suffix CO see example on page 6

** = Equipped with one closed protective cap for shaft ends: Suffix CC see example on page 6

*** = Protective cap for bearing inserts with eccentric locking collar at request

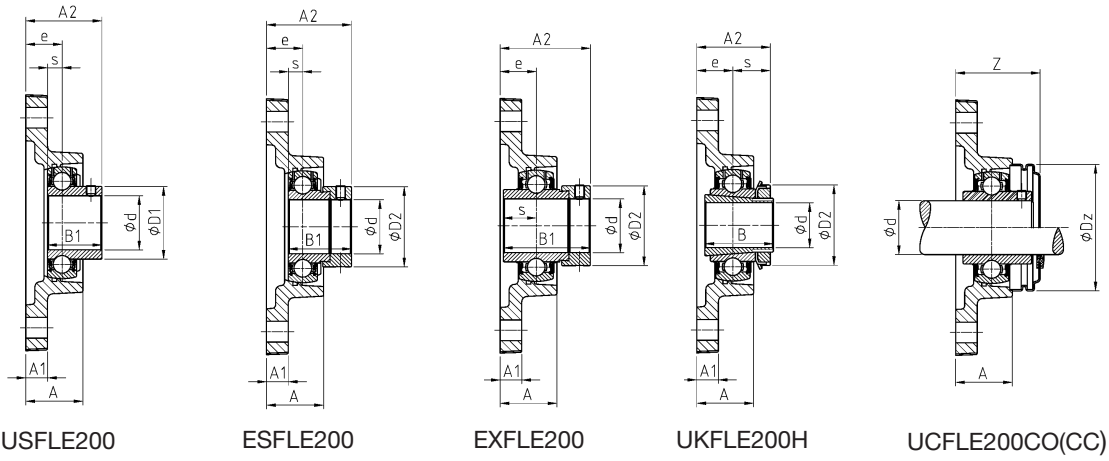


Housing FLE200 relubricatable



UCFLE200

Shaft diameter		Unit		Main dimensions [mm]												
d [mm]		L	H	J	A	A1	A2	e	N	s1	B	B1	s	D1	D2	
45	UCFLE209	111	180	148,5	37,5	13,0	54,2	24	14,0	-	-	49,2	19,0	57,2	-	
	USFLE209	111	180	148,5	37,5	13,0	55,0	24	14,0	-	-	41,2	10,2	57,2	-	
	ESFLE209	111	180	148,5	37,5	13,0	56,7	24	14,0	-	-	43,7	11,0	-	63,5	
	EXFLE209	111	180	148,5	37,5	13,0	58,9	24	14,0	-	-	56,3	21,4	-	63,5	
	UKFLE210H	116	190	157,0	41,6	13,0	55,5	28	18,0	27,5	55,0	-	-	-	70,0	
50	UCFLE210	116	190	157,0	41,6	13,0	60,6	28	18,0	-	-	51,6	19,0	61,8	-	
	USFLE210	116	190	157,0	41,6	13,0	60,6	28	18,0	-	-	43,5	10,9	61,8	-	
	ESFLE210	116	190	157,0	41,6	13,0	60,7	28	18,0	-	-	43,7	11,0	-	69,9	
	EXFLE210	116	190	157,0	41,6	13,0	66,1	28	18,0	-	-	62,7	24,6	-	69,9	
	UKFLE211H	134	222	184,0	45,8	15,0	60,0	31	18,0	29,0	59,0	-	-	-	75,0	
55	UCFLE211	134	222	184,0	45,8	15,0	64,4	31	18,0	-	-	55,6	22,2	69,0	-	
	USFLE211	134	222	184,0	45,8	15,0	64,5	31	18,0	-	-	45,3	11,8	69,0	-	
	ESFLE211	134	222	184,0	45,8	15,0	67,4	31	18,0	-	-	48,4	12,0	-	76,2	
	EXFLE211	134	222	184,0	45,8	15,0	74,6	31	18,0	-	-	71,3	27,7	-	76,2	
	UKFLE212H	138	238	202,0	50,4	16,0	65,0	34	18,0	31,0	62,0	-	-	-	80,0	
60	UCFLE212	138	238	202,0	50,4	16,0	73,7	34	18,0	-	-	65,1	25,4	74,9	-	
	USFLE212	138	238	202,0	50,4	16,0	72,8	34	18,0	-	-	53,7	14,9	74,9	-	
	ESFLE212	138	238	202,0	50,4	16,0	71,3	34	18,0	-	-	49,3	12,0	-	84,2	
	EXFLE212	138	238	202,0	50,4	16,0	80,8	34	18,0	-	-	77,7	30,9	-	84,2	
	UKFLE213H	160	258	216,0	57,0	18,0	70,0	38	21,0	32,0	65,0	-	-	-	85,0	
65	UCFLE213	160	258	216,0	57,0	18,0	77,7	38	21,0	-	-	65,1	25,4	82,0	-	
	EXFLE213	160	258	216,0	57,0	18,0	89,6	38	21,0	-	-	85,7	34,1	-	86,0	
	UKFLE215H	160	258	216,0	57,0	18,0	73,5	38	21,0	35,5	73,0	-	-	-	98,0	
70	UCFLE214	160	258	216,0	57,0	18,0	82,4	38	21,0	-	-	74,6	30,2	86,5	-	
	EXFLE214	160	258	216,0	57,0	18,0	89,6	38	21,0	-	-	85,7	34,1	-	96,8	
75	UCFLE215	160	258	216,0	57,0	18,0	82,5	38	21,0	-	-	77,8	33,3	91,5	-	
	EXFLE215	160	258	216,0	57,0	18,0	92,8	38	21,0	-	-	92,1	37,3	-	102,0	



USFLE200

ESFLE200

EXFLE200

UKFLE200H

UCFLE200CO(CC)

G	Z	Dz	Housing		Bearing insert		Open protective cap *		Closed protective cap **		Dynamic load rating	Static load rating	Weight	Shaft diameter
									C _r [kN]	C _{0r} [kN]				
R1/8"	58,4	95,0	FLE209	UC209	CO	CC	31,85	20,80	1,8	45				
R1/8"	58,4	95,0	FLE209	US209	CO	CC	31,85	20,80	1,8	45				
R1/8"	***	***	FLE209	ES209	***	***	31,85	20,80	1,8	45				
R1/8"	***	***	FLE209	EX209	***	***	31,85	20,80	2,0	45				
R1/8"	65,8	100,0	FLE210	UK210 + H2310	CO	CC	35,10	23,20	2,3	50				
R1/8"	65,8	100,0	FLE210	UC210	CO	CC	35,10	23,20	2,1	50				
R1/8"	65,8	100,0	FLE210	US210	CO	CC	35,10	23,20	2,1	50				
R1/8"	***	***	FLE210	ES210	***	***	35,10	23,20	2,1	50				
R1/8"	***	***	FLE210	EX210	***	***	35,10	23,20	2,3	50				
R1/8"	69,1	110,0	FLE211	UK211 + H2311	CO	CC	43,55	29,20	3,5	55				
R1/8"	69,1	110,0	FLE211	UC211	CO	CC	43,55	29,20	3,4	55				
R1/8"	69,1	110,0	FLE211	US211	CO	CC	43,55	29,20	3,4	55				
R1/8"	***	***	FLE211	ES211	***	***	43,55	29,20	3,2	55				
R1/8"	***	***	FLE211	EX211	***	***	43,55	29,20	3,7	55				
R1/8"	82,4	120,0	FLE212	UK212 + H2312	CO	CC	52,50	32,80	3,7	60				
R1/8"	82,4	120,0	FLE212	UC212	CO	CC	52,50	32,80	3,7	60				
R1/8"	82,4	120,0	FLE212	US212	CO	CC	52,50	32,80	3,5	60				
R1/8"	***	***	FLE212	ES212	***	***	52,50	32,80	3,4	60				
R1/8"	***	***	FLE212	EX212	***	***	52,50	32,80	4,0	60				
R1/8"	82,9	132,0	FLE213	UK213 + H2313	CO	CC	57,20	40,00	4,1	65				
R1/8"	82,9	132,0	FLE213	UC213	CO	CC	57,20	40,00	4,0	65				
R1/8"	***	***	FLE213	EX213	***	***	57,20	40,00	4,6	65				
R1/8"	-	-	FLE215	UK215 + H2315	-	-	66,00	49,50	4,9	70				
R1/8"	-	-	FLE214	UC214	-	-	62,00	45,00	5,4	70				
R1/8"	-	-	FLE214	EX214	-	-	62,00	45,00	5,9	70				
R1/8"	-	-	FLE215	UC215	-	-	66,00	49,50	5,2	75				
R1/8"	-	-	FLE215	EX215	-	-	66,00	49,50	5,8	75				

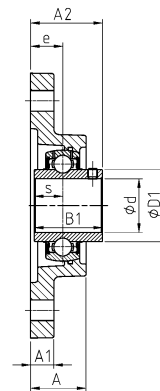
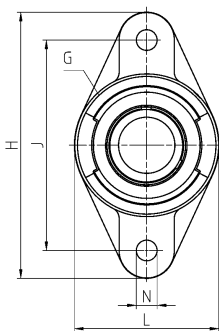
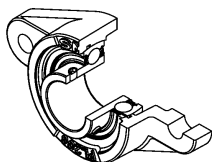
* = Equipped with one open protective caps for passing shafts: Suffix CO see example on page 6

** = Equipped with one closed protective cap for shaft ends: Suffix CC see example on page 6

*** = Protective cap for bearing inserts with eccentric locking collar at request

Housing

FL200 relubricatable
FL300 relubricatable

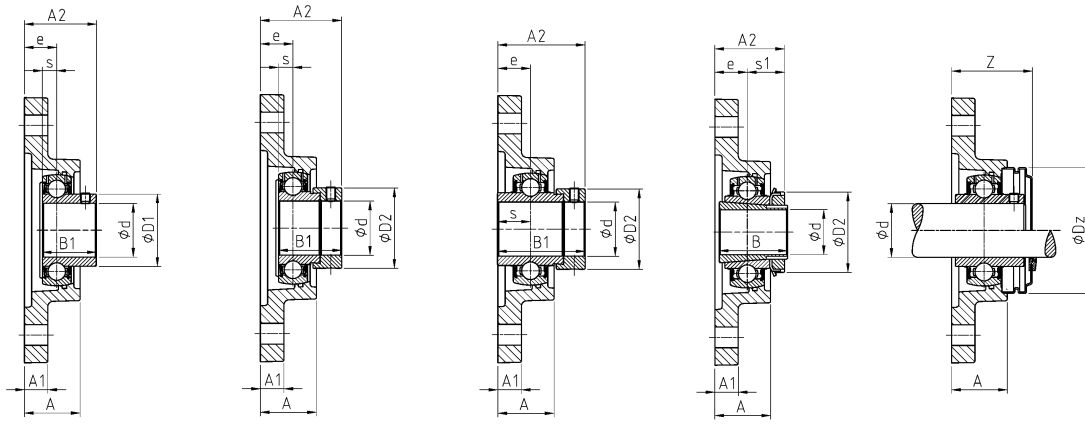


UCFL200
UCFL300

Shaft diameter
Unit

Main dimensions [mm]

d [mm]	Unit	L	H	J	A	A1	A2	e	N	s1	B	B1	s	D1	D2
12	UCFL201	60	113	90,0	25,5	11	33,3	15	12	-	-	31,0	12,7	29,0	-
	USFL201	57	99	76,5	25,5	11	31,0	15	12	-	-	22,0	6,0	24,6	-
	ESFL201	57	99	76,5	25,5	11	37,1	15	12	-	-	28,6	6,5	-	28,6
	EXFL201	60	113	90,0	25,5	11	41,5	15	12	-	-	43,5	17,0	-	33,3
15	UCFL202	60	113	90,0	25,5	11	33,3	15	12	-	-	31,0	12,7	29,0	-
	USFL202	57	99	76,5	25,5	11	31,0	15	12	-	-	22,0	6,0	24,6	-
	ESFL202	57	99	76,5	25,5	11	37,1	15	12	-	-	28,6	6,5	-	28,6
	EXFL202	60	113	90,0	25,5	11	41,5	15	12	-	-	43,5	17,0	-	33,3
17	UCFL203	60	113	90,0	25,5	11	33,3	15	12	-	-	31,0	12,7	29,0	-
	USFL203	57	99	76,5	25,5	11	31,0	15	12	-	-	22,0	6,0	24,6	-
	ESFL203	57	99	76,5	25,5	11	37,1	15	12	-	-	28,6	6,5	-	28,6
	EXFL203	60	113	90,0	25,5	11	41,5	15	12	-	-	43,5	17,0	-	33,3
20	UCFL204	60	113	90,0	25,5	11	33,3	15	12	-	-	31,0	12,7	29,0	-
	USFL204	60	113	90,0	25,5	11	33,0	15	12	-	-	25,0	7,0	29,0	-
	ESFL204	60	113	90,0	25,5	11	38,4	15	12	-	-	30,9	7,5	-	33,3
	EXFL204	60	113	90,0	25,5	11	41,5	15	12	-	-	43,5	17,0	-	33,3
	UKFL205H	68	130	99,0	27,0	13	34,5	16	16	18,5	35,0	-	-	-	38,0
	UKFL305H	80	150	113,0	29,0	13	37,5	16	19	21,5	35,0	-	-	-	38,0
25	UCFL205	68	130	99,0	27,0	13	35,7	16	16	-	-	34,0	14,3	34,0	-
	USFL205	68	130	99,0	27,0	13	35,5	16	16	-	-	27,0	7,5	34,0	-
	ESFL205	68	130	99,0	27,0	13	39,4	16	16	-	-	30,9	7,5	-	38,1
	EXFL205	68	130	99,0	27,0	13	42,9	16	16	-	-	44,3	17,4	-	38,1
	UKFL206H	80	148	117,0	31,0	13	38,5	18	16	20,5	38,0	-	-	-	45,0
	UCFL305	80	150	113,0	29,0	13	39,0	16	19	-	-	38,0	15,0	35,4	-
	EXFL305	80	150	113,0	29,0	13	46,1	16	19	-	-	46,8	16,7	-	42,8
	UKFL306H	90	180	134,0	32,0	15	41,0	18	23	23,0	38,0	-	-	-	45,0
30	UCFL206	80	148	117,0	31,0	13	40,2	18	16	-	-	38,1	15,9	40,3	-
	USFL206	80	148	117,0	31,0	13	40,0	18	16	-	-	30,0	8,0	40,3	-
	ESFL206	80	148	117,0	31,0	13	44,7	18	16	-	-	35,7	9,0	-	44,5
	EXFL206	80	148	117,0	31,0	13	48,1	18	16	-	-	48,3	18,2	-	44,5
	UKFL207H	90	161	130,0	34,0	14	41,5	19	16	22,5	43,0	-	-	-	52,0
	UCFL306	90	180	134,0	32,0	15	44,0	18	23	-	-	43,0	17,0	44,6	-
	EXFL306	90	180	134,0	32,0	15	50,5	18	23	-	-	50,0	17,5	-	50,0
	UKFL307H	100	185	141,0	36,0	16	45,5	20	23	25,5	43,0	-	-	-	52,0



USFL200

ESFL200

EXFL200
EXFL300

UKFL200H
UKFL300H

UCFL200CO(CC)

Housing *Bearing insert* *Open protective cap ** *Closed protective cap *** *Dynamic load rating* *Static load rating* *Weight* *Shaft diameter*

G	Z	Dz						C_r [kN]	C_{or} [kN]	[kg]	d [mm]
M6x1	36,5	54,0	FL204	UC201	CO	CC	12,80	6,65	0,5	12	
M6x1	35,8	46,0	FL203	US201	CO	CC	9,55	4,78	0,4		
M6x1	***	***	FL203	ES201	***	***	9,55	4,78	0,4		
M6x1	***	***	FL204	EX201	***	***	12,80	6,65	0,6		
M6x1	36,5	54,0	FL204	UC202	CO	CC	12,80	6,65	0,5	15	
M6x1	35,8	46,0	FL203	US202	CO	CC	9,55	4,78	0,3		
M6x1	***	***	FL203	ES202	***	***	9,55	4,78	0,4		
M6x1	***	***	FL204	EX202	***	***	12,80	6,65	0,5		
M6x1	36,5	54,0	FL204	UC203	CO	CC	12,80	6,65	0,4	17	
M6x1	35,8	46,0	FL203	US203	CO	CC	9,55	4,78	0,4		
M6x1	***	***	FL203	ES203	***	***	9,55	4,78	0,4		
M6x1	***	***	FL204	EX203	***	***	12,80	6,65	0,5		
M6x1	36,5	54,0	FL204	UC204	CO	CC	12,80	6,65	0,4	20	
M6x1	36,5	54,0	FL204	US204	CO	CC	12,80	6,65	0,4		
M6x1	***	***	FL204	ES204	***	***	12,80	6,65	0,4		
M6x1	***	***	FL204	EX204	***	***	12,80	6,65	0,5		
M6x1	39,1	60,0	FL205	UK205 + H2305	CO	CC	14,00	7,88	0,7		
M6x1	-	-	FL305	UK305 + H2305	-	-	22,36	11,50	1,1		
M6x1	39,1	60,0	FL205	UC205	CO	CC	14,00	7,88	0,6	25	
M6x1	39,1	60,0	FL205	US205	CO	CC	14,00	7,88	0,6		
M6x1	***	***	FL205	ES205	***	***	14,00	7,88	0,6		
M6x1	***	***	FL205	EX205	***	***	14,00	7,88	0,7		
M6x1	45,2	70,0	FL206	UK206 + H2306	CO	CC	19,50	11,20	1,0		
M6x1	-	-	FL305	UC305	-	-	22,36	11,50	0,9		
M6x1	-	-	FL305	EX305	-	-	22,36	11,50	1,0		
M6x1	-	-	FL306	UK306 + H2306	-	-	27,00	15,20	1,4		
M6x1	45,2	70,0	FL206	UC206	CO	CC	19,50	11,20	0,9	30	
M6x1	45,2	70,0	FL206	US206	CO	CC	19,50	11,20	0,9		
M6x1	***	***	FL206	ES206	***	***	19,50	11,20	0,9		
M6x1	***	***	FL206	EX206	***	***	19,50	11,20	1,0		
M6x1	48,2	80,0	FL207	UK207 + H2307	CO	CC	25,70	15,20	1,2		
M6x1	-	-	FL306	UC306	-	-	27,00	15,20	1,4		
M6x1	-	-	FL306	EX306	-	-	27,00	15,20	1,5		
M6x1	-	-	FL307	UK307 + H2307	-	-	33,50	19,20	1,9		

* = Equipped with one open protective caps for passing shafts: Suffix CO see example on page 6

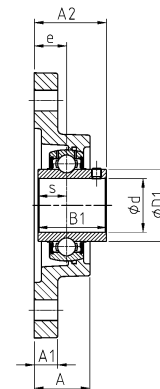
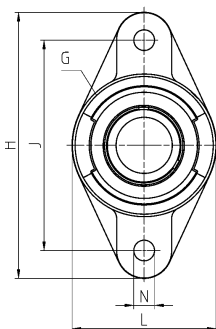
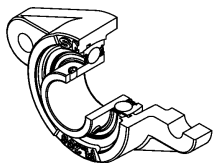
** = Equipped with one closed protective cap for shaft ends: Suffix CC see example on page 6

*** = Protective cap for bearing inserts with eccentric locking collar at request



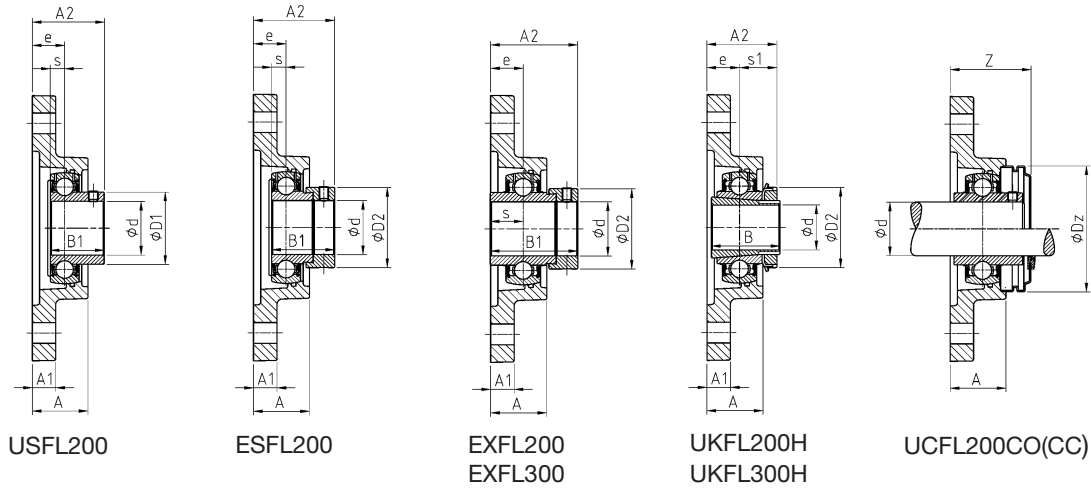
Housing

FL200 relubricatable
FL300 relubricatable



UCFL200
UCFL300

Shaft diameter		Unit		Main dimensions [mm]												
d [mm]		L	H	J	A	A1	A2	e	N	s1	B	B1	s	D1	D2	
35	UCFL207	90	161	130,0	34,0	14	44,4	19	16	-	-	42,9	17,5	48,0	-	
	USFL207	90	161	130,0	34,0	14	42,5	19	16	-	-	32,0	8,5	48,0	-	
	ESFL207	90	161	130,0	34,0	14	48,4	19	16	-	-	38,9	9,5	-	55,6	
	EXFL207	90	161	130,0	34,0	14	51,3	19	16	-	-	51,1	18,8	-	55,6	
	UKFL208H	100	175	144,0	36,0	14	45,5	21	16	24,5	46,0	-	-	-	58,0	
	UCFL307	100	185	141,0	36,0	16	49,0	20	23	-	-	48,0	19,0	48,9	-	
	EXFL307	100	185	141,0	36,0	16	53,3	20	23	-	-	51,6	18,3	-	55,0	
	UKFL308H	112	200	158,0	40,0	17	50,5	23	23	27,5	46,0	-	-	-	58,0	
40	UCFL208	100	175	144,0	36,0	14	51,2	21	16	-	-	49,2	19,0	53,0	-	
	USFL208	100	175	144,0	36,0	14	46,0	21	16	-	-	34,0	9,0	53,0	-	
	ESFL208	100	175	144,0	36,0	14	53,7	21	16	-	-	43,7	11,0	-	60,3	
	EXFL208	100	175	144,0	36,0	14	55,9	21	16	-	-	56,3	21,4	-	60,3	
	UKFL209H	108	188	148,0	38,0	16	48,0	22	19	26,0	50,0	-	-	-	65,0	
	UCFL308	112	200	158,0	40,0	17	56,0	23	23	-	-	52,0	19,0	56,5	-	
	EXFL308	112	200	158,0	40,0	17	60,3	23	23	-	-	57,1	19,8	-	63,5	
	UKFL309H	125	230	177,0	44,0	18	55,0	25	25	30,0	50,0	-	-	-	65,0	
45	UCFL209	108	188	148,0	38,0	16	52,2	22	19	-	-	49,2	19,0	57,2	-	
	USFL209	108	188	148,0	38,0	16	53,0	22	19	-	-	41,2	10,2	57,2	-	
	ESFL209	108	188	148,0	38,0	16	54,7	22	19	-	-	43,7	11,0	-	63,5	
	EXFL209	108	188	148,0	38,0	16	56,9	22	19	-	-	56,3	21,4	-	63,5	
	UKFL210H	115	197	157,0	40,0	16	49,5	22	19	27,5	55,0	-	-	-	70,0	
	UCFL309	125	230	177,0	44,0	18	60,0	25	25	-	-	57,0	22,0	61,8	-	
	EXFL309	125	230	177,0	44,0	18	63,9	25	25	-	-	58,7	19,8	-	70,0	
	UKFL310H	140	240	187,0	48,0	19	60,0	28	25	32,0	55,0	-	-	-	70,0	
50	UCFL210	115	197	157,0	40,0	16	54,6	22	19	-	-	51,6	19,0	61,8	-	
	USFL210	115	197	157,0	40,0	16	54,6	22	19	-	-	43,5	10,9	61,8	-	
	ESFL210	115	197	157,0	40,0	16	54,7	22	19	-	-	43,7	11,0	-	69,9	
	EXFL210	115	197	157,0	40,0	16	60,1	22	19	-	-	62,7	24,6	-	69,9	
	UKFL211H	130	224	184,0	43,0	18	54,0	25	19	29,0	59,0	-	-	-	75,0	
	UCFL310	140	240	187,0	48,0	19	67,0	28	25	-	-	61,0	22,0	68,7	-	
	EXFL310	140	240	187,0	48,0	19	70,0	28	25	-	-	66,6	24,6	-	76,2	
	UKFL311H	150	250	198,0	52,0	20	64,0	30	25	34,0	59,0	-	-	-	75,0	



			Housing	Bearing insert	Open protective cap *	Closed protective cap **	Dynamic load rating	Static load rating	Weight	Shaft diameter
G	Z	Dz					C _r [kN]	C _{0r} [kN]	[kg]	d [mm]
M6x1	48,2	80,0	FL207	UC207	CO	CC	25,70	15,20	1,2	35
M6x1	48,2	80,0	FL207	US207	CO	CC	25,70	15,20	1,1	35
M6x1	***	***	FL207	ES207	***	***	25,70	15,20	1,2	35
M6x1	***	***	FL207	EX207	***	***	25,70	15,20	1,3	35
M6x1	55,1	88,0	FL208	UK208 + H2308	CO	CC	29,60	18,20	1,6	35
M6x1	-	-	FL307	UC307	-	-	33,50	19,20	1,7	35
M6x1	-	-	FL307	EX307	-	-	33,50	19,20	1,8	35
M6x1	-	-	FL308	UK308 + H2308	-	-	40,56	24,00	2,3	35
M6x1	55,1	88,0	FL208	UC208	CO	CC	29,60	18,20	1,5	40
M6x1	55,1	88,0	FL208	US208	CO	CC	29,60	18,20	1,5	40
M6x1	***	***	FL208	ES208	***	***	29,60	18,20	1,5	40
M6x1	***	***	FL208	EX208	***	***	29,60	18,20	1,6	40
M6x1	56,3	95,0	FL209	UK209 + H2309	CO	CC	31,85	20,80	2,0	40
M6x1	-	-	FL308	UC308	-	-	40,56	24,00	2,2	40
M6x1	-	-	FL308	EX308	-	-	40,56	24,00	2,3	40
M6x1	-	-	FL309	UK309 + H2309	-	-	53,00	31,80	3,3	40
M6x1	56,3	95,0	FL209	UC209	CO	CC	31,85	20,80	1,9	45
M6x1	56,3	95,0	FL209	US209	CO	CC	31,85	20,80	1,8	45
M6x1	***	***	FL209	ES209	***	***	31,85	20,80	1,9	45
M6x1	***	***	FL209	EX209	***	***	31,85	20,80	2,1	45
M6x1	60,1	100,0	FL210	UK210 + H2310	CO	CC	35,10	23,20	2,4	45
M6x1	-	-	FL309	UC309	-	-	53,00	31,80	3,1	45
M6x1	-	-	FL309	EX309	-	-	53,00	31,80	3,3	45
M6x1	-	-	FL310	UK310 + H2310	-	-	62,00	37,80	4,1	45
M6x1	60,1	100,0	FL210	UC210	CO	CC	35,10	23,20	2,2	50
M6x1	60,1	100,0	FL210	US210	CO	CC	35,10	23,20	2,2	50
M6x1	***	***	FL210	ES210	***	***	35,10	23,20	2,2	50
M6x1	***	***	FL210	EX210	***	***	35,10	23,20	2,4	50
M6x1	63,7	110,0	FL211	UK211 + H2311	CO	CC	43,55	29,20	3,1	50
M6x1	-	-	FL310	UC310	-	-	62,00	37,80	4,0	50
M6x1	-	-	FL310	EX310	-	-	62,00	37,80	4,2	50
M6x1	-	-	FL311	UK311 + H2311	-	-	71,50	44,80	4,9	50

* = Equipped with one open protective caps for passing shafts: Suffix CO see example on page 6

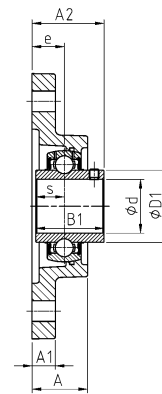
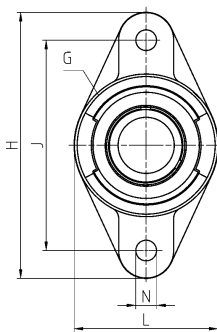
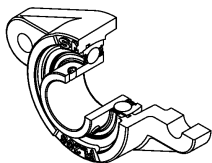
** = Equipped with one closed protective cap for shaft ends: Suffix CC see example on page 6

*** = Protective cap for bearing inserts with eccentric locking collar at request



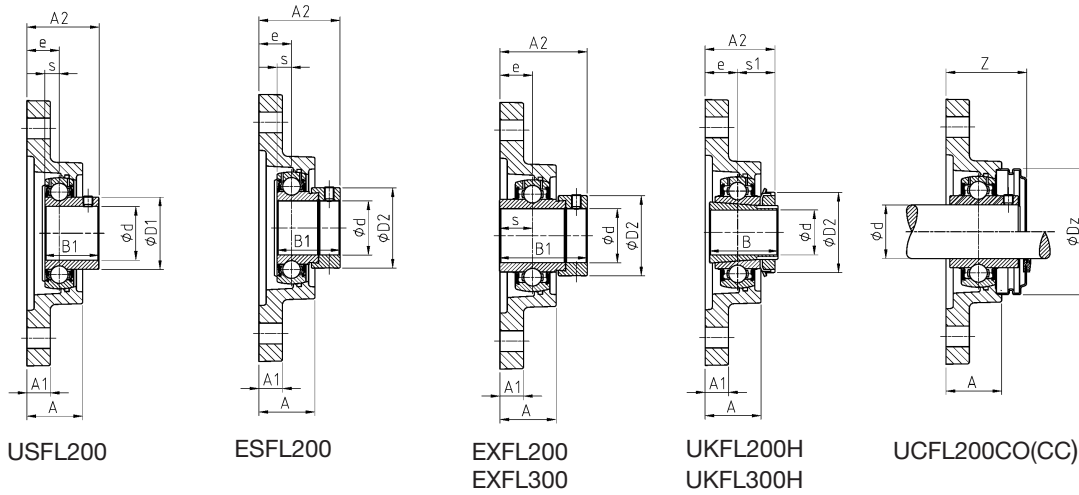
Housing

FL200 relubricatable
FL300 relubricatable



UCFL200
UCFL300

Shaft diameter		Unit		Main dimensions [mm]												
d [mm]		L	H	J	A	A1	A2	e	N	s1	B	B1	s	D1	D2	
55	UCFL211	130	224	184,0	43,0	18	58,4	25	19	-	-	55,6	22,2	69,0	-	
	USFL211	130	224	184,0	43,0	18	58,5	25	19	-	-	45,3	11,8	69,0	-	
	ESFL211	130	224	184,0	43,0	18	61,4	25	19	-	-	48,4	12,0	-	76,2	
	EXFL211	130	224	184,0	43,0	18	68,6	25	19	-	-	71,3	27,7	-	76,2	
	UKFL212H	140	250	202,0	48,0	18	60,0	29	23	31,0	62,0	-	-	-	80,0	
	UCFL311	150	250	198,0	52,0	20	71,0	30	25	-	-	66,0	25,0	74,9	-	
	EXFL311	150	250	198,0	52,0	20	75,2	30	25	-	-	73,0	27,8	-	83,0	
	UKFL312H	160	270	212,0	56,0	22	69,5	33	31	36,5	62,0	-	-	-	80,0	
60	UCFL212	140	250	202,0	48,0	18	68,7	29	23	-	-	65,1	25,4	74,9	-	
	USFL212	140	250	202,0	48,0	18	67,8	29	23	-	-	53,7	14,9	74,9	-	
	ESFL212	140	250	202,0	48,0	18	66,3	29	23	-	-	49,3	12,0	-	84,2	
	EXFL212	140	250	202,0	48,0	18	75,8	29	23	-	-	77,7	30,9	-	84,2	
	UKFL213H	155	258	210,0	50,0	20	62,0	30	23	32,0	65,0	-	-	-	85,0	
	UCFL312	160	270	212,0	56,0	22	78,0	33	31	-	-	71,0	26,0	81,0	-	
	EXFL312	160	270	212,0	56,0	22	81,4	33	31	-	-	79,4	31,0	-	89,0	
	UKFL313H	175	295	240,0	58,0	25	71,5	33	31	38,5	65,0	-	-	-	85,0	
65	UCFL213	155	258	210,0	50,0	20	69,7	30	23	-	-	65,1	25,4	82,0	-	
	EXFL213	155	258	210,0	50,0	20	81,6	30	23	-	-	85,7	34,1	-	86,0	
	UKFL215H	164	275	225,0	55,0	22	69,5	34	23	35,5	73,0	-	-	-	98,0	
	UCFL313	175	295	240,0	58,0	25	78,0	33	31	-	-	75,0	30,0	87,5	-	
	EXFL313	175	295	240,0	58,0	25	86,2	33	31	-	-	85,7	32,5	-	97,0	
	UKFL315H	195	320	260,0	66,0	30	81,5	39	35	42,5	73,0	-	-	-	98,0	
70	UCFL214	160	265	216,0	54,0	20	75,4	31	23	-	-	74,6	30,2	86,5	-	
	EXFL214	160	265	216,0	54,0	20	82,6	31	23	-	-	85,7	34,1	-	96,8	
	UKFL216H	180	290	233,0	58,0	22	73,0	34	25	39,0	78,0	-	-	-	105,0	
	UCFL314	185	315	250,0	61,0	28	83,0	36	35	-	-	78,0	33,0	94,0	-	
	EXFL314	185	315	250,0	61,0	28	93,9	36	35	-	-	92,1	34,2	-	102,0	
	UKFL316H	210	355	285,0	68,0	32	82,5	38	38	44,5	78,0	-	-	-	105,0	
75	UCFL215	164	275	225,0	55,0	22	78,5	34	23	-	-	77,8	33,3	91,5	-	
	EXFL215	164	275	225,0	55,0	22	88,8	34	23	-	-	92,1	37,3	-	102,0	
	UKFL217H	190	305	248,0	63,0	22	76,0	36	25	40,0	82,0	-	-	-	110,0	
	UCFL315	195	320	260,0	66,0	30	89,0	39	35	-	-	82,0	32,0	100,5	-	
	EXFL315	195	320	260,0	66,0	30	101,7	39	35	-	-	100,0	37,3	-	113,0	
	UKFL317H	220	370	300,0	74,0	32	92,0	44	38	48,0	82,0	-	-	-	110,0	



			Housing	Bearing insert	Open protective cap *	Closed protective cap **	Dynamic load rating	Static load rating	Weight	Shaft diameter
G	Z	Dz					C _r [kN]	C _{0r} [kN]	[kg]	d [mm]
M6x1	63,7	110,0	FL211	UC211	CO	CC	43,55	29,20	3,0	55
M6x1	63,7	110,0	FL211	US211	CO	CC	43,55	29,20	2,9	55
M6x1	***	***	FL211	ES211	***	***	43,55	29,20	2,7	55
M6x1	***	***	FL211	EX211	***	***	43,55	29,20	3,3	55
M6x1	74,0	120,0	FL212	UK212 + H2312	CO	CC	52,50	32,80	3,8	60
M6x1	-	-	FL311	UC311	-	-	71,50	44,80	4,6	60
M6x1	-	-	FL311	EX311	-	-	71,50	44,80	5,0	60
M6x1	-	-	FL312	UK312 + H2312	-	-	81,60	51,80	5,7	60
M6x1	74,0	120,0	FL212	UC212	CO	CC	52,50	32,80	3,9	60
M6x1	74,0	120,0	FL212	US212	CO	CC	52,50	32,80	3,6	60
M6x1	***	***	FL212	ES212	***	***	52,50	32,80	3,5	60
M6x1	***	***	FL212	EX212	***	***	52,50	32,80	4,2	60
M6x1	74,3	132,0	FL213	UK213 + H2313	CO	CC	57,20	40,00	4,8	65
M6x1	-	-	FL312	UC312	-	-	81,60	51,80	5,8	65
M6x1	-	-	FL312	EX312	-	-	81,60	51,80	6,1	65
M6x1	-	-	FL313	UK313 + H2313	-	-	93,86	60,50	7,4	65
M6x1	74,3	132,0	FL213	UC213	CO	CC	57,20	40,00	4,8	65
M6x1	***	***	FL213	EX213	***	***	57,20	40,00	5,3	65
M10x1	-	-	FL215	UK215 + H2315	-	-	66,00	49,50	5,7	70
M6x1	-	-	FL313	UC313	-	-	93,86	60,50	7,3	70
M6x1	-	-	FL313	EX313	-	-	93,86	60,50	7,8	70
M10x1	-	-	FL315	UK315 + H2315	-	-	113,36	76,80	10,2	70
M10x1	-	-	FL214	UC214	-	-	62,00	45,00	5,4	70
M10x1	-	-	FL214	EX214	-	-	62,00	45,00	5,9	70
M10x1	-	-	FL216	UK216 + H2316	-	-	72,50	54,20	7,5	70
M10x1	-	-	FL314	UC314	-	-	104,26	68,00	8,7	70
M10x1	-	-	FL314	EX314	-	-	104,26	68,00	9,3	70
M10x1	-	-	FL316	UK316 + H2316	-	-	122,85	86,50	12,8	70
M10x1	-	-	FL215	UC215	-	-	66,00	49,50	5,4	75
M10x1	-	-	FL215	EX215	-	-	66,00	49,50	6,0	75
M10x1	-	-	FL217	UK217 + H2317	-	-	83,20	63,80	9,0	75
M10x1	-	-	FL315	UC315	-	-	113,36	76,80	9,5	75
M10x1	-	-	FL315	EX315	-	-	113,36	76,80	10,6	75
M10x1	-	-	FL317	UK317 + H2317	-	-	132,60	96,50	14,4	75

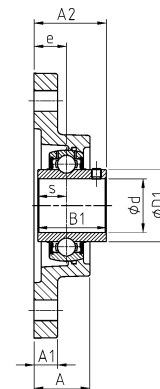
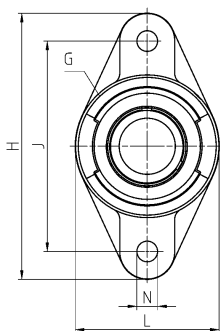
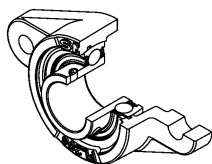
* = Equipped with one open protective caps for passing shafts: Suffix CO see example on page 6

** = Equipped with one closed protective cap for shaft ends: Suffix CC see example on page 6

*** = Protective cap for bearing inserts with eccentric locking collar at request

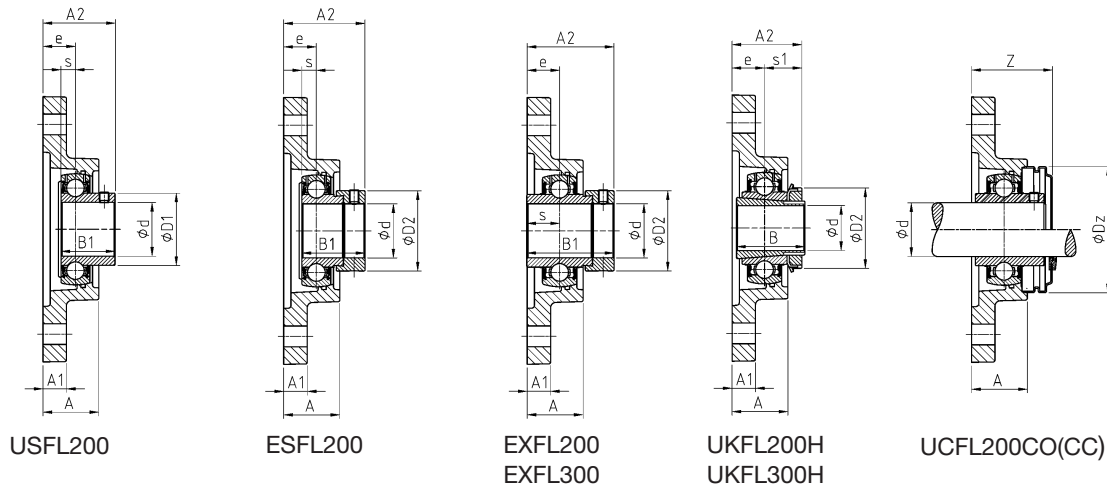
Housing

FL200 relubricatable
FL300 relubricatable



UCFL200
UCFL300

Shaft diameter		Unit		Main dimensions [mm]												
d [mm]		L	H	J	A	A1	A2	e	N	s1	B	B1	s	D1	D2	
80	UCFL216	180	290	233,0	58,0	22	83,3	34	25	-	-	82,6	33,3	98,0	-	
	EXFL216	180	290	233,0	58,0	22	91,9	34	25	-	-	95,2	37,3	-	110,0	
	UKFL218H	205	320	265,0	68,0	23	82,0	40	25	42,0	86,0	-	-	-	120,0	
	UCFL316	210	355	285,0	68,0	32	90,0	38	38	-	-	86,0	34,0	107,9	-	
	EXFL316	210	355	285,0	68,0	32	103,9	38	38	-	-	106,4	40,5	-	119,0	
	UKFL318H	235	385	315,0	76,0	36	92,0	44	38	48,0	86,0	-	-	-	120,0	
85	UCFL217	190	305	248,0	63,0	22	87,6	36	25	-	-	85,7	34,1	105,1	-	
	EXFL217	190	305	248,0	63,0	22	83,6	36	25	-	-	73,2	23,4	-	119,0	
	UCFL317	220	370	300,0	74,0	32	100,0	44	38	-	-	96,0	40,0	114,0	-	
	EXFL317	220	370	300,0	74,0	32	111,5	44	38	-	-	109,5	42,0	-	127,0	
	UKFL319H	250	405	330,0	94,0	40	111,0	59	41	52,0	90,0	-	-	-	125,0	
90	UCFL218	205	320	265,0	68,0	23	96,3	40	25	-	-	96,0	39,7	111,0	-	
	EXFL218	205	320	265,0	68,0	23	86,5	40	25	-	-	72,5	24,5	-	120,0	
	UCFL318	235	385	315,0	76,0	36	100,0	44	38	-	-	96,0	40,0	120,0	-	
	EXFL318	235	385	315,0	76,0	36	116,3	44	38	-	-	115,9	43,6	-	133,0	
	UKFL320H	270	440	360,0	94,0	40	113,0	59	44	54,0	97,0	-	-	-	130,0	
95	UCFL319	250	405	330,0	94,0	40	121,0	59	41	-	-	103,0	41,0	126,5	-	
	EXFL319	250	405	330,0	94,0	40	134,5	59	41	-	-	122,3	46,8	-	140,0	
100	UCFL320	270	440	360,0	94,0	40	125,0	59	44	-	-	108,0	42,0	134,5	-	
	EXFL320	270	440	360,0	94,0	40	137,6	59	44	-	-	128,6	50,0	-	146,0	
	UKFL322H	300	470	390,0	96,0	42	121,0	60	44	61,0	105,0	-	-	-	145,0	
105	UCFL321	270	440	360,0	94,0	40	127,0	59	44	-	-	112,0	44,0	140,5	-	
110	UCFL322	300	470	390,0	96,0	42	131,0	60	44	-	-	117,0	46,0	149,0	-	
	UKFL324H	330	520	430,0	110,0	48	130,0	65	47	65,0	112,0	-	-	-	155,0	
115	UKFL326H	360	550	460,0	115,0	50	134,0	65	47	69,0	121,0	-	-	-	165,0	
120	UCFL324	330	520	430,0	110,0	48	140,0	65	47	-	-	126,0	51,0	163,0	-	
125	UKFL328H	400	600	500,0	125,0	60	148,0	75	51	73,0	131,0	-	-	-	180,0	
130	UCFL326	360	550	460,0	115,0	50	146,0	65	47	-	-	135,0	54,0	177,0	-	
140	UCFL328	400	600	500,0	125,0	60	161,0	75	51	-	-	145,0	59,0	190,0	-	



			Housing		Bearing insert		Open protec- tive cap *		Closed protec- tive cap **		Dynamic load rating		Static load rating		Weight		Shaft diameter	
G	Z	Dz								C _r	C _{or}							d
										[kN]	[kN]	[kg]						[mm]
M10x1	-	-	FL216	UC216	-	-	72,50	54,20	7,1	80								
M10x1	-	-	FL216	EX216	-	-	72,50	54,20	7,4	80								
M10x1	-	-	FL218	UK218 + H2318	-	-	96,00	71,50	11,2	80								
M10x1	-	-	FL316	UC316	-	-	122,85	86,50	12,5	80								
M10x1	-	-	FL316	EX316	-	-	122,85	86,50	13,6	80								
M10x1	-	-	FL318	UK318 + H2318	-	-	143,00	108,00	17,1	80								
M10x1	-	-	FL217	UC217	-	-	83,20	63,80	8,5	85								
M10x1	-	-	FL217	EX217	-	-	83,20	63,80	8,9	85								
M10x1	-	-	FL317	UC317	-	-	132,60	96,50	14,4	85								
M10x1	-	-	FL317	EX317	-	-	132,60	96,50	15,5	85								
M10x1	-	-	FL319	UK319 + H2319	-	-	156,00	122,00	21,6	85								
M10x1	-	-	FL218	UC218	-	-	96,00	71,50	10,9	90								
M10x1	-	-	FL218	EX218	-	-	96,00	71,50	11,4	90								
M10x1	-	-	FL318	UC318	-	-	143,00	108,00	17,0	90								
M10x1	-	-	FL318	EX318	-	-	143,00	108,00	18,3	90								
M10x1	-	-	FL320	UK320 + H2320	-	-	171,60	140,00	25,9	90								
M10x1	-	-	FL319	UC319	-	-	156,00	122,00	21,3	95								
M10x1	-	-	FL319	EX319	-	-	156,00	122,00	22,8	95								
M10x1	-	-	FL320	UC320	-	-	171,60	140,00	26,1	100								
M10x1	-	-	FL320	EX320	-	-	171,60	140,00	27,9	100								
M10x1	-	-	FL322	UK322 + H2322	-	-	205,00	178,00	35,9	100								
M10x1	-	-	FL321	UC321	-	-	182,00	155,00	25,0	105								
M10x1	-	-	FL322	UC322	-	-	205,00	178,00	32,6	110								
M10x1	-	-	FL324	UK324 + H2324	-	-	228,00	208,00	47,7	110								
M10x1	-	-	FL326	UK326 + H2326	-	-	252,00	242,00	61,3	115								
M10x1	-	-	FL324	UC324	-	-	228,00	208,00	45,0	120								
M10x1	-	-	FL328	UK328 + H2328	-	-	275,00	272,00	83,6	125								
M10x1	-	-	FL326	UC326	-	-	252,00	242,00	56,4	130								
M10x1	-	-	FL328	UC328	-	-	275,00	272,00	77,6	140								

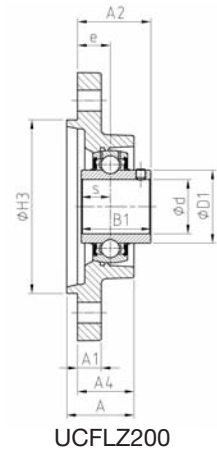
* = Equipped with one open protective caps for passing shafts: Suffix CO see example on page 6

** = Equipped with one closed protective cap for shaft ends: Suffix CC see example on page 6

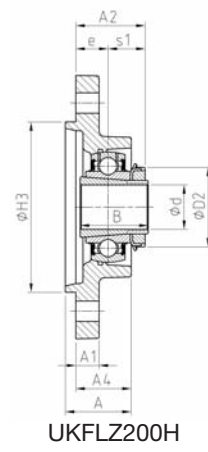
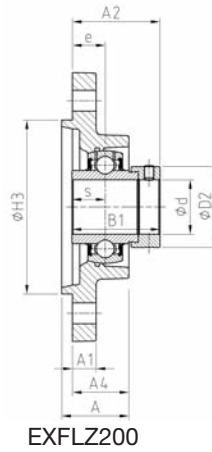
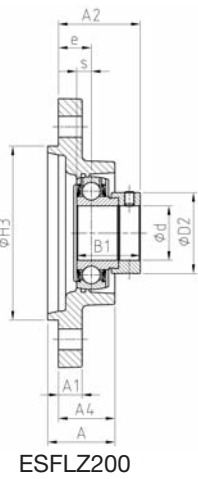
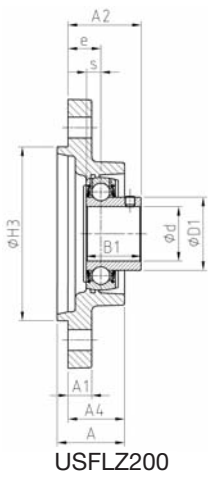
*** = Protective cap for bearing inserts with eccentric locking collar at request



Housing FLZ200 relubricatable



Shaft diameter		Unit		Main dimensions [mm]									
d [mm]		L	H	J	A	A1	A2	A4	H3 h8	e	N	s1	B
12	UCFLZ201	60,5	112,5	90,0	32,0	10,0	37,3	28,5	55	19	11,5	-	-
	USFLZ201	60,5	112,5	90,0	32,0	8,0	35,0	28,5	55	19	11,5	-	-
	ESFLZ201	60,5	112,5	90,0	32,0	8,0	41,1	28,5	55	19	11,5	-	-
	EXFLZ201	60,5	112,5	90,0	32,0	10,0	45,5	28,5	55	19	11,5	-	-
15	UCFLZ202	60,5	112,5	90,0	32,0	10,0	37,3	28,5	55	19	11,5	-	-
	USFLZ202	60,5	112,5	90,0	32,0	8,0	35,0	28,5	55	19	11,5	-	-
	ESFLZ202	60,5	112,5	90,0	32,0	8,0	41,1	28,5	55	19	11,5	-	-
	EXFLZ202	60,5	112,5	90,0	32,0	10,0	45,5	28,5	55	19	11,5	-	-
17	UCFLZ203	60,5	112,5	90,0	32,0	10,0	37,3	28,5	55	19	11,5	-	-
	USFLZ203	60,5	112,5	90,0	32,0	8,0	35,0	28,5	55	19	11,5	-	-
	ESFLZ203	60,5	112,5	90,0	32,0	8,0	41,1	28,5	55	19	11,5	-	-
	EXFLZ203	60,5	112,5	90,0	32,0	10,0	45,5	28,5	55	19	11,5	-	-
20	UCFLZ204	60,5	112,5	90,0	32,0	10,0	37,3	28,5	55	19	11,5	-	-
	USFLZ204	60,5	112,5	90,0	32,0	10,0	37,0	28,5	55	19	11,5	-	-
	ESFLZ204	60,5	112,5	90,0	32,0	10,0	42,4	28,5	55	19	11,5	-	-
	EXFLZ204	60,5	112,5	90,0	32,0	10,0	45,5	28,5	55	19	11,5	-	-
	UKFLZ205H	70,0	124,0	99,0	32,5	12,0	37,5	29,0	60	19	11,5	18,5	35,0
25	UCFLZ205	70,0	124,0	99,0	32,5	12,0	38,7	29,0	60	19	11,5	-	-
	USFLZ205	70,0	124,0	99,0	32,5	12,0	38,5	29,0	60	19	11,5	-	-
	ESFLZ205	70,0	124,0	99,0	32,5	12,0	42,4	29,0	60	19	11,5	-	-
	EXFLZ205	70,0	124,0	99,0	32,5	12,0	45,9	29,0	60	19	11,5	-	-
	UKFLZ206H	83,0	142,0	116,5	30,0	12,0	37,5	27,0	80	17	11,5	20,5	38,0
30	UCFLZ206	83,0	142,0	116,5	30,0	12,0	39,2	27,0	80	17	11,5	-	-
	USFLZ206	83,0	142,0	116,5	30,0	12,0	39,0	27,0	80	17	11,5	-	-
	ESFLZ206	83,0	142,0	116,5	30,0	12,0	43,7	27,0	80	17	11,5	-	-
	EXFLZ206	83,0	142,0	116,5	30,0	12,0	47,1	27,0	80	17	11,5	-	-
	UKFLZ207H	94,0	155,0	130,0	32,5	12,5	39,5	28,5	90	17	14,0	22,5	43,0
35	UCFLZ207	94,0	155,0	130,0	32,5	12,5	42,4	28,5	90	17	14,0	-	-
	USFLZ207	94,0	155,0	130,0	32,5	12,5	40,5	28,5	90	17	14,0	-	-
	ESFLZ207	94,0	155,0	130,0	32,5	12,5	46,4	28,5	90	17	14,0	-	-
	EXFLZ207	94,0	155,0	130,0	32,5	12,5	49,3	28,5	90	17	14,0	-	-
	UKFLZ208H	105,0	172,0	143,5	36,0	13,0	44,5	32,0	100	20	14,0	24,5	46,0
40	UCFLZ208	105,0	172,0	143,5	36,0	13,0	50,2	32,0	100	20	14,0	-	-
	USFLZ208	105,0	172,0	143,5	36,0	13,0	45,0	32,0	100	20	14,0	-	-
	ESFLZ208	105,0	172,0	143,5	36,0	13,0	52,7	32,0	100	20	14,0	-	-
	EXFLZ208	105,0	172,0	143,5	36,0	13,0	54,9	32,0	100	20	14,0	-	-
	UKFLZ209H	111,0	180,0	148,5	36,5	13,0	46,0	32,5	105	20	14,0	26,0	50,0



USFLZ200

ESFLZ200

EXFLZ200

UKFLZ200H

Housing

Bearing insert

Dynamic load rating

Static load rating

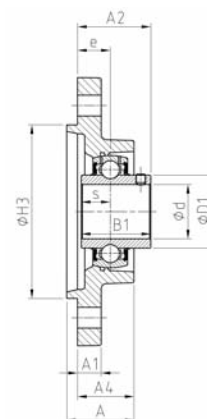
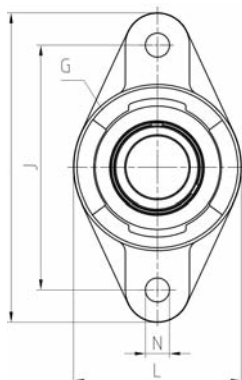
Weight

Shaft diameter

B1	s	D1	D2	G			C _r [kN]	C _{0r} [kN]	Weight [kg]	d [mm]
31,0	12,7	29,0	-	R1/8"	FLZ204	UC201	12,80	6,65	0,5	12
22,0	6,0	24,6	-	R1/8"	FLZ203	US201	9,55	4,78	0,4	12
28,6	6,5	-	28,6	R1/8"	FLZ203	ES201	9,55	4,78	0,4	12
43,5	17,0	-	33,3	R1/8"	FLZ204	EX201	12,80	6,65	0,6	12
31,0	12,7	29,0	-	R1/8"	FLZ204	UC202	12,80	6,65	0,5	15
22,0	6,0	24,6	-	R1/8"	FLZ203	US202	9,55	4,78	0,4	15
28,6	6,5	-	28,6	R1/8"	FLZ203	ES202	9,55	4,78	0,4	15
43,5	17,0	-	33,3	R1/8"	FLZ204	EX202	12,80	6,65	0,6	15
31,0	12,7	29,0	-	R1/8"	FLZ204	UC203	12,80	6,65	0,5	17
22,0	6,0	24,6	-	R1/8"	FLZ203	US203	9,55	4,78	0,4	17
28,6	6,5	-	28,6	R1/8"	FLZ203	ES203	9,55	4,78	0,4	17
43,5	17,0	-	33,3	R1/8"	FLZ204	EX203	12,80	6,65	0,6	17
31,0	12,7	29,0	-	R1/8"	FLZ204	UC204	12,80	6,65	0,5	20
25,0	7,0	29,0	-	R1/8"	FLZ204	US204	12,80	6,65	0,4	20
30,9	7,5	-	33,3	R1/8"	FLZ204	ES204	12,80	6,65	0,5	20
43,5	17,0	-	33,3	R1/8"	FLZ204	EX204	12,80	6,65	0,5	20
-	-	-	38,0	R1/8"	FLZ205	UK205 + H2305	14,00	7,88	0,7	20
34,0	14,3	34,0	-	R1/8"	FLZ205	UC205	14,00	7,88	0,7	25
27,0	7,5	34,0	-	R1/8"	FLZ205	US205	14,00	7,88	0,6	25
30,9	7,5	-	38,1	R1/8"	FLZ205	ES205	14,00	7,88	0,7	25
44,3	17,4	-	38,1	R1/8"	FLZ205	EX205	14,00	7,88	0,7	25
-	-	-	45,0	R1/8"	FLZ206	UK206 + H2306	19,50	11,20	1,0	25
38,1	15,9	40,3	-	R1/8"	FLZ206	UC206	19,50	11,20	0,9	30
30,0	8,0	40,3	-	R1/8"	FLZ206	US206	19,50	11,20	0,9	30
35,7	9,0	-	44,5	R1/8"	FLZ206	ES206	19,50	11,20	0,9	30
48,3	18,2	-	44,5	R1/8"	FLZ206	EX206	19,50	11,20	1,0	30
-	-	-	52,0	R1/8"	FLZ207	UK207 + H2307	25,70	15,20	1,2	30
42,9	17,5	48,0	-	R1/8"	FLZ207	UC207	25,70	15,20	1,2	35
32,0	8,5	48,0	-	R1/8"	FLZ207	US207	25,70	15,20	1,1	35
38,9	9,5	-	55,6	R1/8"	FLZ207	ES207	25,70	15,20	1,2	35
51,1	18,8	-	55,6	R1/8"	FLZ207	EX207	25,70	15,20	1,3	35
-	-	-	58,0	R1/8"	FLZ208	UK208 + H2308	29,60	18,20	1,7	35
49,2	19,0	53,0	-	R1/8"	FLZ208	UC208	29,60	18,20	1,6	40
34,0	9,0	53,0	-	R1/8"	FLZ208	US208	29,60	18,20	1,6	40
43,7	11,0	-	60,3	R1/8"	FLZ208	ES208	29,60	18,20	1,6	40
56,3	21,4	-	60,3	R1/8"	FLZ208	EX208	29,60	18,20	1,8	40
-	-	-	65,0	R1/8"	FLZ209	UK209 + H2309	31,85	20,80	1,9	40

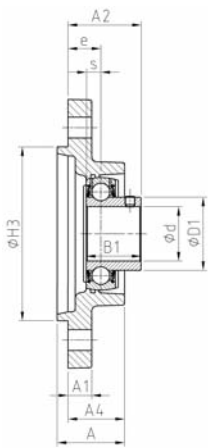


Housing FLZ200 relubricatable

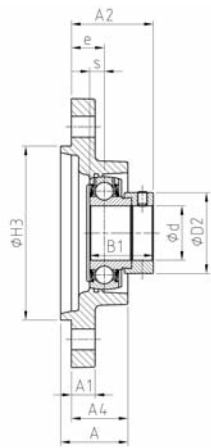


UCFLZ200

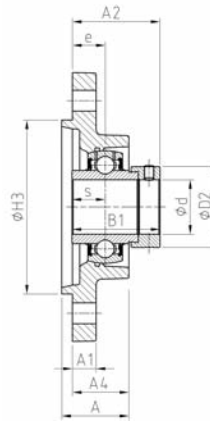
Shaft diameter		Unit		Main dimensions [mm]									
d [mm]		L	H	J	A	A1	A2	A4	H3 h8	e	N	s1	B
45	UCFLZ209	111,0	180,0	148,5	36,5	13,0	50,2	32,5	105	20	14,0	-	-
	USFLZ209	111,0	180,0	148,5	36,5	13,0	51,0	32,5	105	20	14,0	-	-
	ESFLZ209	111,0	180,0	148,5	36,5	13,0	52,7	32,5	105	20	14,0	-	-
	EXFLZ209	111,0	180,0	148,5	36,5	13,0	54,9	32,5	105	20	14,0	-	-
	UKFLZ210H	116,0	190,0	157,0	41,0	13,0	51,5	37,0	105	24	14,0	27,5	55,0
50	UCFLZ210	116,0	190,0	157,0	41,0	13,0	56,6	37,0	105	24	14,0	-	-
	USFLZ210	116,0	190,0	157,0	41,0	13,0	56,6	37,0	105	24	14,0	-	-
	ESFLZ210	116,0	190,0	157,0	41,0	13,0	56,7	37,0	105	24	14,0	-	-
	EXFLZ210	116,0	190,0	157,0	41,0	13,0	62,1	37,0	105	24	14,0	-	-
55	UKFLZ212H	138,0	238,0	202,0	49,0	16,0	61,0	45,0	130	30	18,0	31,0	62,0
60	UCFLZ212	138,0	238,0	202,0	49,0	16,0	69,7	45,0	130	30	18,0	-	-
	USFLZ212	138,0	238,0	202,0	49,0	16,0	68,8	45,0	130	30	18,0	-	-
	ESFLZ212	138,0	238,0	202,0	49,0	16,0	67,3	45,0	130	30	18,0	-	-
	EXFLZ212	138,0	238,0	202,0	49,0	16,0	76,8	45,0	130	30	18,0	-	-



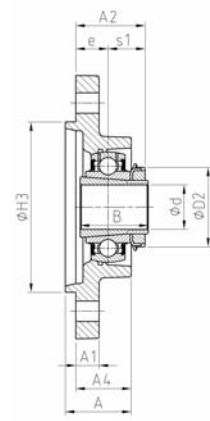
USFLZ200



ESFLZ200



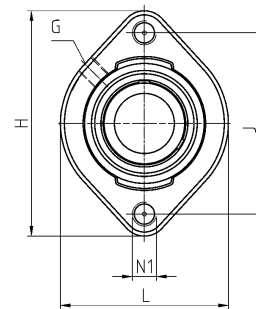
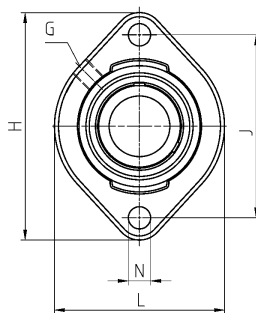
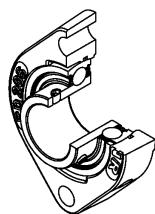
EXFLZ200



UKFLZ200H

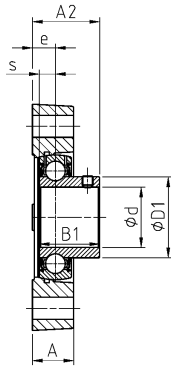
					Housing	Bearing insert	Dynamic load rating	Static load rating	Weight	Shaft diameter
B1	s	D1	D2	G			C _r [kN]	C _{0r} [kN]	[kg]	d [mm]
49,2	19,0	57,2	-	R1/8"	FLZ209	UC209	31,85	20,80	1,8	45
41,2	10,2	57,2	-	R1/8"	FLZ209	US209	31,85	20,80	1,8	
43,7	11,0	-	63,5	R1/8"	FLZ209	ES209	31,85	20,80	1,8	
56,3	21,4	-	63,5	R1/8"	FLZ209	EX209	31,85	20,80	2,0	
-	-	-	70,0	R1/8"	FLZ210	UK210 + H2310	35,10	23,20	2,3	50
51,6	19,0	61,8	-	R1/8"	FLZ210	UC210	35,10	23,20	2,2	
43,5	10,9	61,8	-	R1/8"	FLZ210	US210	35,10	23,20	2,1	
43,7	11,0	-	69,9	R1/8"	FLZ210	ES210	35,10	23,20	2,2	
62,7	24,6	-	69,9	R1/8"	FLZ210	EX210	35,10	23,20	2,4	55
-	-	-	80,0	R1/8"	FLZ212	UK212 + H2312	52,50	32,80	3,5	
65,1	25,4	74,9	-	R1/8"	FLZ212	UC212	52,50	32,80	3,5	
53,7	14,9	74,9	-	R1/8"	FLZ212	US212	52,50	32,80	3,3	
49,3	12,0	-	84,2	R1/8"	FLZ212	ES212	52,50	32,80	3,2	60
77,7	30,9	-	84,2	R1/8"	FLZ212	EX212	52,50	32,80	3,9	

Housing FD200 relubricatable

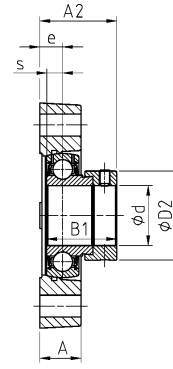


Shaft diameter		Unit		Main dimensions [mm]									
d [mm]		L	H	J	A	A2	e	N1	N	B1	s	D1	
12	USFD201	58,7	81,0	63,5	15,0	24,4	8,4	M6	6,5	22,0	6,0	24,6	
	ESFD201	58,7	81,0	63,5	15,0	30,5	8,4	M6	6,5	28,6	6,5	-	
15	USFD202	58,7	81,0	63,5	15,0	24,4	8,4	M6	6,5	22,0	6,0	24,6	
	ESFD202	58,7	81,0	63,5	15,0	30,5	8,4	M6	6,5	28,6	6,5	-	
17	USFD203	58,7	81,0	63,5	15,0	24,4	8,4	M6	6,5	22,0	6,0	24,6	
	ESFD203	58,7	81,0	63,5	15,0	30,5	8,4	M6	6,5	28,6	6,5	-	
20	USFD204	66,5	90,5	71,4	17,0	27,5	9,5	M10	9,0	25,0	7,0	29,0	
	ESFD204	66,5	90,5	71,4	17,0	32,9	9,5	M10	9,0	30,9	7,5	-	
25	USFD205	71,0	97,0	76,2	17,5	29,4	9,9	M12	9,0	27,0	7,5	34,0	
	ESFD205	71,0	97,0	76,2	17,5	33,3	9,9	M12	9,0	30,9	7,5	-	
30	USFD206	84,0	112,5	90,5	20,5	33,4	11,4	M12	11,0	30,0	8,0	40,3	
	ESFD206	84,0	112,5	90,5	20,5	38,1	11,4	M12	11,0	35,7	9,0	-	
35	USFD207	94,0	126,0	100,0	22,0	35,9	12,4	M12	11,0	32,0	8,5	48,0	
	ESFD207	94,0	126,0	100,0	22,0	41,8	12,4	M12	11,0	38,9	9,5	-	
40	USFD208	104,0	148,0	119,0	24,0	37,1	12,05	M12	14,0	34,0	9,0	53,0	
	ESFD208	104,0	148,0	119,0	24,0	44,8	12,05	M12	14,0	43,7	11,0	-	

Type code for the execution with mounting thread: e. g.: USFD204M10



USFD200

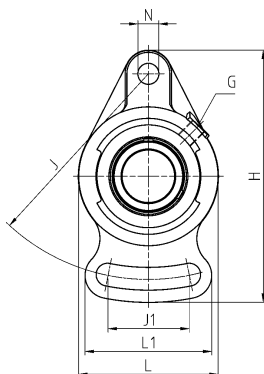
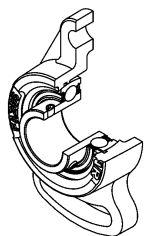


ESFD200

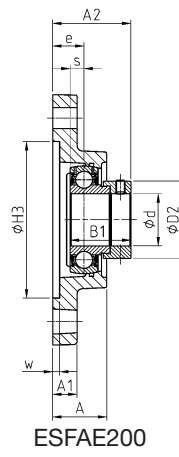
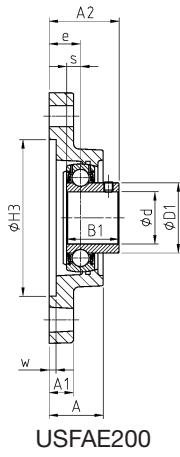
D2	G	Housing		Bearing insert		Dynamic load rating		Static load rating		Weight		Shaft diameter	
						C_r [kN]	C_{Or} [kN]			[kg]	d [mm]		
-	M6x1	FD203	US201	9,55	4,78	0,3	12						
28,6	M6x1	FD203	ES201	9,55	4,78	0,3							
-	M6x1	FD203	US202	9,55	4,78	0,3	15						
28,6	M6x1	FD203	ES202	9,55	4,78	0,3							
-	M6x1	FD203	US203	9,55	4,78	0,3	17						
28,6	M6x1	FD203	ES203	9,55	4,78	0,3							
-	M6x1	FD204	US204	12,80	6,65	0,4	20						
33,3	M6x1	FD204	ES204	12,80	6,65	0,4							
-	M6x1	FD205	US205	14,00	7,88	0,5	25						
38,1	M6x1	FD205	ES205	14,00	7,88	0,5							
-	R1/8"	FD206	US206	19,50	11,20	0,7	30						
44,5	R1/8"	FD206	ES206	19,50	11,20	0,7							
-	R1/8"	FD207	US207	25,70	15,20	1,0	35						
55,6	R1/8"	FD207	ES207	25,70	15,20	1,0							
-	R1/8"	FD208	US208	29,60	18,20	1,3	40						
60,3	R1/8"	FD208	ES208	29,60	18,20	1,3							

Housing

F AE200 relubricatable

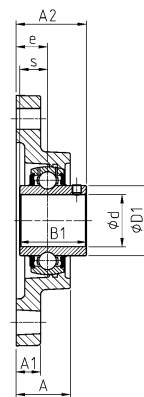
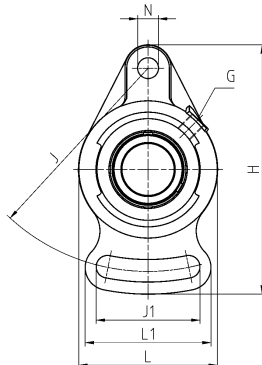
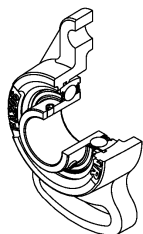


d [mm]	Unit	Main dimensions [mm]										
		L	H	J	J1	A	A1	A2	L1	w +0,2	H3 +0,2	e
20	USFAE204	61	112	90	30,0	20,0	10,0	28,5	52	2,0	50,8	10,5
	ESFAE204	61	112	90	30,0	20,0	10,0	33,9	52	2,0	50,8	10,5
25	USFAE205	70	124	99	37,5	22,5	11,0	32,0	63	3,5	63,5	12,5
	ESFAE205	70	124	99	37,5	22,5	11,0	35,9	63	3,5	63,5	12,5
30	USFAE206	80	142	117	40,0	24,0	12,0	35,0	65	3,0	73,0	13,0
	ESFAE206	80	142	117	40,0	24,0	12,0	39,7	65	3,0	73,0	13,0
35	USFAE207	90	155	128	45,0	26,5	12,5	38,5	75	4,5	82,5	15,0
	ESFAE207	90	155	128	45,0	26,5	12,5	44,4	75	4,5	82,5	15,0



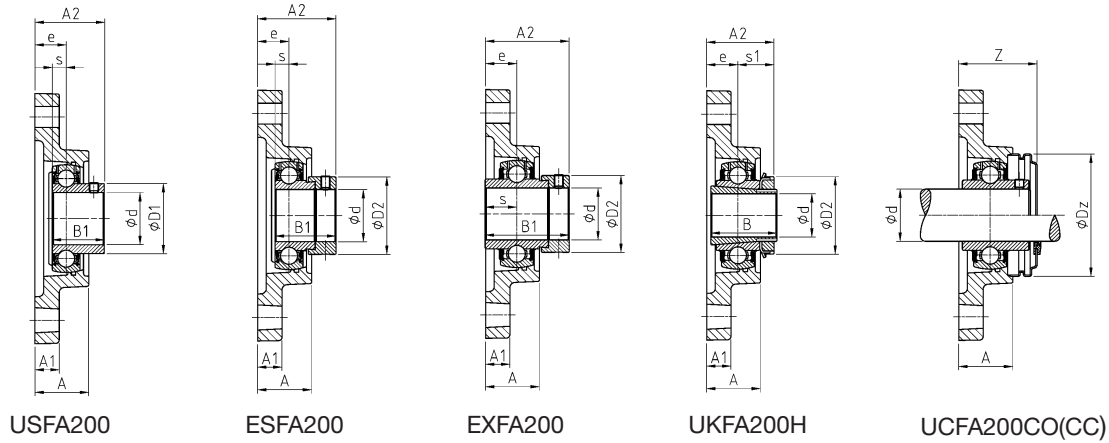
N	B1	s	D1	D2	G	Housing		C _r [kN]	C _{0r} [kN]	Weight [kg]	Shaft diameter d [mm]
						US	ES				
11,5	25,0	7,0	29,0	-	R1/8"	F AE204	US204	12,80	6,65	0,4	20
11,5	30,9	7,5	-	33,3	R1/8"	F AE204	ES204	12,80	6,65	0,5	
11,5	27,0	7,5	34,0	-	R1/8"	F AE205	US205	14,00	7,88	0,5	25
11,5	30,9	7,5	-	38,1	R1/8"	F AE205	ES205	14,00	7,88	0,5	
11,5	30,0	8,0	40,3	-	R1/8"	F AE206	US206	19,50	11,20	0,8	30
11,5	35,7	9,0	-	44,5	R1/8"	F AE206	ES206	19,50	11,20	0,8	
14,0	32,0	8,5	48,0	-	R1/8"	F AE207	US207	25,70	15,20	1,1	35
14,0	38,9	9,5	-	55,6	R1/8"	F AE207	ES207	25,70	15,20	1,2	

Housing FA200 relubricatable



UCFA200

Shaft diameter		Main dimensions [mm]														
Unit		L	H	J	J1	A	A1	A2	L1	e	N	s1	B	B1	s	
d [mm]																
12	UCFA201	60	102	78	40	25,5	12	33,3	54	15	10	-	-	31,0	12,7	
	USFA201	57	95	75	37	22,0	9	29,0	47	13	10	-	-	22,0	6,0	
	ESFA201	57	95	75	37	22,0	9	35,1	47	13	10	-	-	28,6	6,5	
	EXFA201	60	102	78	40	25,5	12	41,5	54	15	10	-	-	43,5	17,0	
15	UCFA202	60	102	78	40	25,5	12	33,3	54	15	10	-	-	31,0	12,7	
	USFA202	57	95	75	37	22,0	9	29,0	47	13	10	-	-	22,0	6,0	
	ESFA202	57	95	75	37	22,0	9	35,1	47	13	10	-	-	28,6	6,5	
	EXFA202	60	102	78	40	25,5	12	41,5	54	15	10	-	-	43,5	17,0	
17	UCFA203	60	102	78	40	25,5	12	33,3	54	15	10	-	-	31,0	12,7	
	USFA203	57	95	75	37	22,0	9	29,0	47	13	10	-	-	22,0	6,0	
	ESFA203	57	95	75	37	22,0	9	35,1	47	13	10	-	-	28,6	6,5	
	EXFA203	60	102	78	40	25,5	12	41,5	54	15	10	-	-	43,5	17,0	
20	UCFA204	60	102	78	40	25,5	12	33,3	54	15	10	-	-	31,0	12,7	
	USFA204	60	102	78	40	25,5	12	33,0	54	15	10	-	-	25,0	7,0	
	ESFA204	60	102	78	40	25,5	12	38,4	54	15	10	-	-	30,9	7,5	
	EXFA204	60	102	78	40	25,5	12	41,5	54	15	10	-	-	43,5	17,0	
	UKFA205H	68	125	98	51	27,0	14	34,5	65	16	12	18,5	35,0	-	-	
25	UCFA205	68	125	98	51	27,0	14	35,7	65	16	12	-	-	34,0	14,3	
	USFA205	68	125	98	51	27,0	14	35,5	65	16	12	-	-	27,0	7,5	
	ESFA205	68	125	98	51	27,0	14	39,4	65	16	12	-	-	30,9	7,5	
	EXFA205	68	125	98	51	27,0	14	42,9	65	16	12	-	-	44,3	17,4	
	UKFA206H	80	144	117	58	31,0	14	38,5	72	18	12	20,5	38,0	-	-	
30	UCFA206	80	144	117	58	31,0	14	40,2	72	18	12	-	-	38,1	15,9	
	USFA206	80	144	117	58	31,0	14	40,0	72	18	12	-	-	30,0	8,0	
	ESFA206	80	144	117	58	31,0	14	44,7	72	18	12	-	-	35,7	9,0	
	EXFA206	80	144	117	58	31,0	14	48,1	72	18	12	-	-	48,3	18,2	
	UKFA207H	90	161	130	66	34,0	16	41,5	82	19	15	22,5	43,0	-	-	
35	UCFA207	90	161	130	66	34,0	16	44,4	82	19	15	-	-	42,9	17,5	
	USFA207	90	161	130	66	34,0	16	42,5	82	19	15	-	-	32,0	8,5	
	ESFA207	90	161	130	66	34,0	16	48,4	82	19	15	-	-	38,9	9,5	
	EXFA207	90	161	130	66	34,0	16	51,3	82	19	15	-	-	51,1	18,8	
	UKFA208H	100	175	144	71	36,0	16	45,5	87	21	15	24,5	46,0	-	-	
40	UCFA208	100	175	144	71	36,0	16	51,2	87	21	15	-	-	49,2	19,0	
	USFA208	100	175	144	71	36,0	16	46,0	87	21	15	-	-	34,0	9,0	
	ESFA208	100	175	144	71	36,0	16	53,7	87	21	15	-	-	43,7	11,0	
	EXFA208	100	175	144	71	36,0	16	55,9	87	21	15	-	-	56,3	21,4	
	UKFA209H	108	181	148	72	38,0	18	48,0	90	22	15	26,0	50,0	-	-	



USFA200

ESFA200

EXFA200

UKFA200H

UCFA200CO(CC)

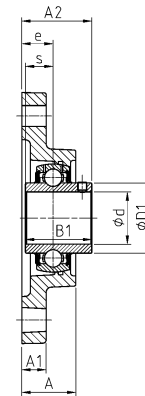
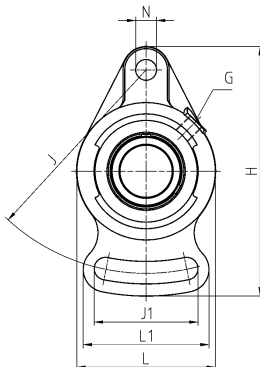
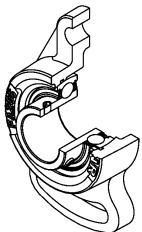
					Housing	Bearing insert	Open protec- tive cap *	Closed protec- tive cap **	Dynamic load rating	Static load rating	Weight	Shaft diameter
D1	D2	G	Z	Dz					C _r [kN]	C _{or} [kN]	[kg]	d [mm]
29,0	-	M6x1	36,5	54,0	FA204	UC201	CO	CC	12,80	6,65	0,5	12
24,6	-	M6x1	33,0	46,0	FA203	US201	CO	CC	9,55	4,78	0,4	
-	28,6	M6x1	***	***	FA203	ES201	***	***	9,55	4,78	0,5	
-	33,3	M6x1	***	***	FA204	EX201	***	***	12,80	6,65	0,6	
29,0	-	M6x1	36,5	54,0	FA204	UC202	CO	CC	12,80	6,65	0,6	15
24,6	-	M6x1	33,0	46,0	FA203	US202	CO	CC	9,55	4,78	0,4	
-	28,6	M6x1	***	***	FA203	ES202	***	***	9,55	4,78	0,5	
-	33,3	M6x1	***	***	FA204	EX202	***	***	12,80	6,65	0,6	
29,0	-	M6x1	33,0	54,0	FA204	UC203	CO	CC	12,80	6,65	0,5	17
24,6	-	M6x1	33,0	46,0	FA203	US203	CO	CC	9,55	4,78	0,5	
-	28,6	M6x1	***	***	FA203	ES203	***	***	9,55	4,78	0,5	
-	33,3	M6x1	***	***	FA204	EX203	***	***	12,80	6,65	0,6	
29,0	-	M6x1	36,5	54,0	FA204	UC204	CO	CC	12,80	6,65	0,5	20
29,0	-	M6x1	36,5	54,0	FA204	US204	CO	CC	12,80	6,65	0,5	
-	33,3	M6x1	***	***	FA204	ES204	***	***	12,80	6,65	0,6	
-	33,3	M6x1	***	***	FA204	EX204	***	***	12,80	6,65	0,6	
-	38,0	M6x1	39,1	60,0	FA205	UK205 + H2305	CO	CC	14,00	7,88	0,7	
34,0	-	M6x1	39,1	60,0	FA205	UC205	CO	CC	14,00	7,88	0,7	25
34,0	-	M6x1	39,1	60,0	FA205	US205	CO	CC	14,00	7,88	0,7	
-	38,1	M6x1	***	***	FA205	ES205	***	***	14,00	7,88	0,7	
-	38,1	M6x1	***	***	FA205	EX205	***	***	14,00	7,88	0,8	
-	45,0	M6x1	44,1	70,0	FA206	UK206 + H2306	CO	CC	19,50	11,20	1,2	
40,3	-	M6x1	44,1	70,0	FA206	UC206	CO	CC	19,50	11,20	1,2	30
40,3	-	M6x1	44,1	70,0	FA206	US206	CO	CC	19,50	11,20	1,1	
-	44,5	M6x1	***	***	FA206	ES206	***	***	19,50	11,20	1,2	
-	44,5	M6x1	***	***	FA206	EX206	***	***	19,50	11,20	1,3	
-	52,0	M6x1	48,3	80,0	FA207	UK207 + H2307	CO	CC	25,70	15,20	1,6	
48,0	-	M6x1	48,3	80,0	FA207	UC207	CO	CC	25,70	15,20	1,6	35
48,0	-	M6x1	48,3	80,0	FA207	US207	CO	CC	25,70	15,20	1,5	
-	55,6	M6x1	***	***	FA207	ES207	***	***	25,70	15,20	1,6	
-	55,6	M6x1	***	***	FA207	EX207	***	***	25,70	15,20	1,7	
-	58,0	M6x1	55,1	88,0	FA208	UK208 + H2308	CO	CC	29,60	18,20	2,1	
53,0	-	M6x1	55,1	88,0	FA208	UC208	CO	CC	29,60	18,20	2,0	40
53,0	-	M6x1	55,1	88,0	FA208	US208	CO	CC	29,60	18,20	2,0	
-	60,3	M6x1	***	***	FA208	ES208	***	***	29,60	18,20	2,0	
-	60,3	M6x1	***	***	FA208	EX208	***	***	29,60	18,20	2,1	
-	65,0	M6x1	56,3	95,0	FA209	UK209 + H2309	CO	CC	31,85	20,80	2,4	

* = Equipped with one open protective caps for passing shafts: Suffix CO see example on page 6

** = Equipped with one closed protective cap for shaft ends: Suffix CC see example on page 6

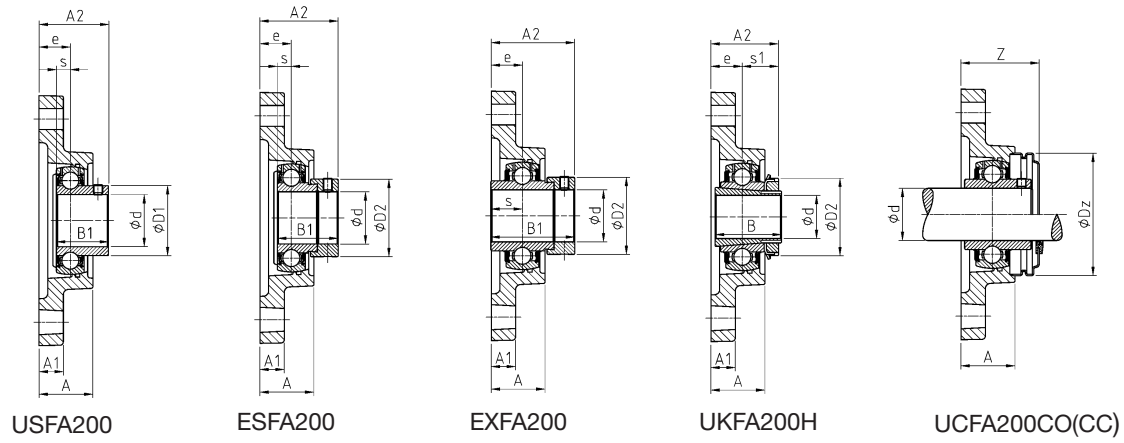
*** = Protective cap for bearing inserts with eccentric locking collar at request

Housing FA200 relubricatable



UCFA200

Shaft diameter		Unit		Main dimensions [mm]											
d [mm]		L	H	J	J1	A	A1	A2	L1	e	N	s1	B	B1	s
45	UCFA209	108	181	148	72	38,0	18	52,2	90	22	15	-	-	49,2	19,0
	USFA209	108	181	148	72	38,0	18	53,0	90	22	15	-	-	41,2	10,2
	ESFA209	108	181	148	72	38,0	18	54,7	90	22	15	-	-	43,7	11,0
	EXFA209	108	181	148	72	38,0	18	56,9	90	22	15	-	-	56,3	21,4
	UKFA210H	115	190	157	76	40,0	18	49,5	94	22	15	27,5	55,0	-	-
50	UCFA210	115	190	157	76	40,0	18	54,6	94	22	15	-	-	51,6	19,0
	USFA210	115	190	157	76	40,0	18	54,6	94	22	15	-	-	43,5	10,9
	ESFA210	115	190	157	76	40,0	18	54,7	94	22	15	-	-	43,7	11,0
	EXFA210	115	190	157	76	40,0	18	60,1	94	22	15	-	-	62,7	24,6
	UKFA211H	130	219	184	86	43,0	20	54,0	104	25	16	29,0	59,0	-	-
55	UCFA211	130	219	184	86	43,0	20	58,4	104	25	16	-	-	55,6	22,2
	USFA211	130	219	184	86	43,0	20	58,5	104	25	16	-	-	45,3	11,8
	ESFA211	130	219	184	86	43,0	20	61,4	104	25	16	-	-	48,4	12,0
	EXFA211	130	219	184	86	43,0	20	68,6	104	25	16	-	-	71,3	27,7
	UKFA212H	140	250	202	92	48,0	20	60,0	118	29	23	31,0	62,0	-	-
60	UCFA212	140	250	202	92	48,0	20	68,7	118	29	23	-	-	65,1	25,4
	USFA212	140	250	202	92	48,0	20	67,8	118	29	23	-	-	53,7	14,9
	ESFA212	140	250	202	92	48,0	20	66,3	118	29	23	-	-	49,3	12,0
	EXFA212	140	250	202	92	48,0	20	75,8	118	29	23	-	-	77,7	30,9



D1	D2	G	Z	Dz	Housing		Bearing insert		C _r [kN]	C _{or} [kN]	Weight [kg]	d [mm]
							Open protec- tive cap *	Closed protec- tive cap **				
57,2	-	M6x1	56,3	95,0	FA209	UC209	CO	CC	31,85	20,80	2,3	45
57,2	-	M6x1	56,3	95,0	FA209	US209	CO	CC	31,85	20,80	2,3	
-	63,5	M6x1	***	***	FA209	ES209	***	***	31,85	20,80	2,3	
-	63,5	M6x1	***	***	FA209	EX209	***	***	31,85	20,80	2,5	
-	70,0	M6x1	59,3	100,0	FA210	UK210 + H2310	CO	CC	35,10	23,20	2,9	50
61,8	-	M6x1	59,3	100,0	FA210	UC210	CO	CC	35,10	23,20	2,7	
61,8	-	M6x1	59,3	100,0	FA210	US210	CO	CC	35,10	23,20	2,7	
-	69,9	M6x1	***	***	FA210	ES210	***	***	35,10	23,20	2,7	
-	69,9	M6x1	***	***	FA210	EX210	***	***	35,10	23,20	2,9	
-	75,0	M6x1	62,8	110,0	FA211	UK211 + H2311	CO	CC	43,55	29,20	3,6	55
69,0	-	M6x1	62,8	110,0	FA211	UC211	CO	CC	43,55	29,20	3,5	
69,0	-	M6x1	62,8	110,0	FA211	US211	CO	CC	43,55	29,20	3,5	
-	76,2	M6x1	***	***	FA211	ES211	***	***	43,55	29,20	3,3	
-	76,2	M6x1	***	***	FA211	EX211	***	***	43,55	29,20	3,8	
-	80,0	M6x1	73,3	120,0	FA212	UK212 + H2312	CO	CC	52,50	32,80	4,2	60
74,9	-	M6x1	73,3	120,0	FA212	UC212	CO	CC	52,50	32,80	4,2	
74,9	-	M6x1	73,3	120,0	FA212	US212	CO	CC	52,50	32,80	4,0	
-	84,2	M6x1	***	***	FA212	ES212	***	***	52,50	32,80	3,9	
-	84,2	M6x1	***	***	FA212	EX212	***	***	52,50	32,80	4,6	

* = Equipped with one open protective caps for passing shafts: Suffix CO see example on page 6

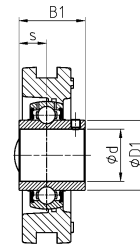
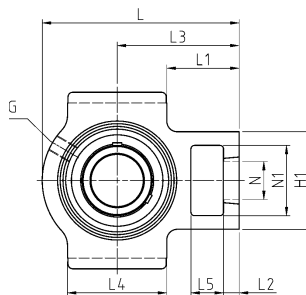
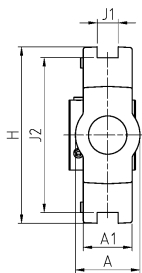
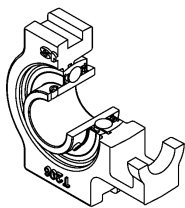
** = Equipped with one closed protective cap for shaft ends: Suffix CC see example on page 6

*** = Protective cap for bearing inserts with eccentric locking collar at request

Housing

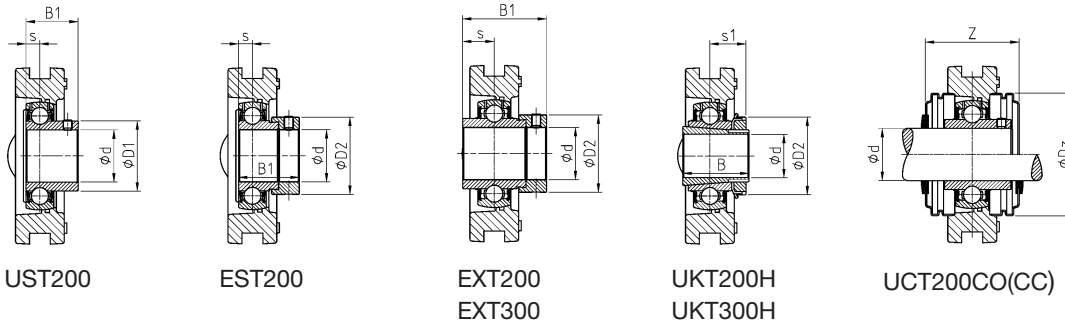
T200 relubricatable

T300 relubricatable



UCT200
UCT300

Shaft diameter		Unit		Main dimensions [mm]													
d [mm]		L	H	J1	J2	A	A1	L1	L2	L3	L4	L5	H1	N	N1	s1	B
12	UCT201	94	89	12	76	32	21	35,5	10	61	51	16	51	19	32	-	-
	UST201	94	89	12	76	32	21	35,5	10	61	51	16	51	19	32	-	-
	EST201	94	89	12	76	32	21	35,5	10	61	51	16	51	19	32	-	-
	EXT201	94	89	12	76	32	21	35,5	10	61	51	16	51	19	32	-	-
15	UCT202	94	89	12	76	32	21	35,5	10	61	51	16	51	19	32	-	-
	UST202	94	89	12	76	32	21	35,5	10	61	51	16	51	19	32	-	-
	EST202	94	89	12	76	32	21	35,5	10	61	51	16	51	19	32	-	-
	EXT202	94	89	12	76	32	21	35,5	10	61	51	16	51	19	32	-	-
17	UCT203	94	89	12	76	32	21	35,5	10	61	51	16	51	19	32	-	-
	UST203	94	89	12	76	32	21	35,5	10	61	51	16	51	19	32	-	-
	EST203	94	89	12	76	32	21	35,5	10	61	51	16	51	19	32	-	-
	EXT203	94	89	12	76	32	21	35,5	10	61	51	16	51	19	32	-	-
20	UCT204	94	89	12	76	32	21	35,5	10	61	51	16	51	19	32	-	-
	UST204	94	89	12	76	32	21	35,5	10	61	51	16	51	19	32	-	-
	EST204	94	89	12	76	32	21	35,5	10	61	51	16	51	19	32	-	-
	EXT204	94	89	12	76	32	21	35,5	10	61	51	16	51	19	32	-	-
	UKT205H	97	89	12	76	32	24	36,5	10	62	51	16	51	19	32	18,5	35
	UKT305H	122	89	12	80	36	26	43,5	14	76	65	16	62	26	36	21,5	35
25	UCT205	97	89	12	76	32	24	36,5	10	62	51	16	51	19	32	-	-
	UST205	97	89	12	76	32	24	36,5	10	62	51	16	51	19	32	-	-
	EST205	97	89	12	76	32	24	36,5	10	62	51	16	51	19	32	-	-
	EXT205	97	89	12	76	32	24	36,5	10	62	51	16	51	19	32	-	-
	UKT206H	113	102	12	89	37	28	41,5	10	70	57	16	56	22	37	20,5	38
	UCT305	122	89	12	80	36	26	43,5	14	76	65	16	62	26	36	-	-
	EXT305	122	89	12	80	36	26	43,5	14	76	65	16	62	26	36	-	-
	UKT306H	137	100	16	90	41	28	48,0	16	85	74	18	70	28	41	23,0	38
30	UCT206	113	102	12	89	37	28	41,5	10	70	57	16	56	22	37	-	-
	UST206	113	102	12	89	37	28	41,5	10	70	57	16	56	22	37	-	-
	EST206	113	102	12	89	37	28	41,5	10	70	57	16	56	22	37	-	-
	EXT206	113	102	12	89	37	28	41,5	10	70	57	16	56	22	37	-	-
	UKT207H	129	102	12	89	37	30	46,0	13	78	64	16	64	22	37	22,5	43
	UCT306	137	100	16	90	41	28	48,0	16	85	74	18	70	28	41	-	-
	EXT306	137	100	16	90	41	28	48,0	16	85	74	18	70	28	41	-	-
	UKT307H	150	111	16	100	45	32	54,0	17	94	80	20	75	30	45	25,5	43



B1	s	D1	D2	G	Z	Dz	Housing	Bearing insert	Open protec. five caps *	Closed protec. five caps **	Dynamic load rating	Static load rating	Weight	Shaft diameter
											C_r [kN]	C_{Or} [kN]	[kg]	d [mm]
31,0	12,7	29,0	-	M6x1	43,7	54,0	T204	UC201	CO	CC	12,80	6,65	0,8	12
22,0	6,0	24,6	-	M6x1	43,7	46,0	T204	US201	CO	CC	9,55	4,78	0,7	12
28,6	6,5	-	28,6	M6x1	***	***	T204	ES201	***	***	9,55	4,78	0,7	12
43,5	17,0	-	33,3	M6x1	***	***	T204	EX201	***	***	12,80	6,65	0,9	12
31,0	12,7	29,0	-	M6x1	43,7	54,0	T204	UC202	CO	CC	12,80	6,65	0,8	15
22,0	6,0	24,6	-	M6x1	43,7	46,0	T204	US202	CO	CC	9,55	4,78	0,6	15
28,6	6,5	-	28,6	M6x1	***	***	T204	ES202	***	***	9,55	4,78	0,7	15
43,5	17,0	-	33,3	M6x1	***	***	T204	EX202	***	***	12,80	6,65	0,8	15
31,0	12,7	29,0	-	M6x1	43,7	54,0	T204	UC203	CO	CC	12,80	6,65	0,7	17
22,0	6,0	24,6	-	M6x1	43,7	46,0	T204	US203	CO	CC	9,55	4,78	0,7	17
28,6	6,5	-	28,6	M6x1	***	***	T204	ES203	***	***	9,55	4,78	0,7	17
43,5	17,0	-	33,3	M6x1	***	***	T204	EX203	***	***	12,80	6,65	0,8	17
31,0	12,7	29,0	-	M6x1	43,7	54,0	T204	UC204	CO	CC	12,80	6,65	0,7	20
25,0	7,0	29,0	-	M6x1	43,7	54,0	T204	US204	CO	CC	12,80	6,65	0,7	20
30,9	7,5	-	33,3	M6x1	***	***	T204	ES204	***	***	12,80	6,65	0,7	20
43,5	17,0	-	33,3	M6x1	***	***	T204	EX204	***	***	12,80	6,65	0,8	20
-	-	-	38,0	M6x1	47,5	60,0	T205	UK205 + H2305	CO	CC	14,00	7,88	0,8	20
-	-	-	38,0	M6x1	-	-	T305	UK305 + H2305	-	-	22,36	11,50	1,4	20
34,0	14,3	34,0	-	M6x1	47,5	60,0	T205	UC205	CO	CC	14,00	7,88	0,8	25
27,0	7,5	34,0	-	M6x1	47,5	60,0	T205	US205	CO	CC	14,00	7,88	0,8	25
30,9	7,5	-	38,1	M6x1	***	***	T205	ES205	***	***	14,00	7,88	0,8	25
44,3	17,4	-	38,1	M6x1	***	***	T205	EX205	***	***	14,00	7,88	0,9	25
-	-	-	45,0	M6x1	52,5	70,0	T206	UK206 + H2306	CO	CC	19,50	11,20	1,3	25
38,0	15,0	35,4	-	M6x1	-	-	T305	UC305	-	-	22,36	11,50	1,3	25
46,8	16,7	-	42,8	M6x1	-	-	T305	EX305	-	-	22,36	11,50	1,3	25
-	-	-	45,0	M6x1	-	-	T306	UK306 + H2306	-	-	27,00	15,20	1,8	25
38,1	15,9	40,3	-	M6x1	52,5	70,0	T206	UC206	CO	CC	19,50	11,20	1,2	30
30,0	8,0	40,3	-	M6x1	52,5	70,0	T206	US206	CO	CC	19,50	11,20	1,2	30
35,7	9,0	-	44,5	M6x1	***	***	T206	ES206	***	***	19,50	11,20	1,2	30
48,3	18,2	-	44,5	M6x1	***	***	T206	EX206	***	***	19,50	11,20	1,3	30
-	-	-	52,0	M6x1	59,1	80,0	T207	UK207 + H2307	CO	CC	25,70	15,20	1,6	30
43,0	17,0	44,6	-	M6x1	-	-	T306	UC306	-	-	27,00	15,20	1,8	30
50,0	17,5	-	50,0	M6x1	-	-	T306	EX306	-	-	27,00	15,20	1,9	30
-	-	-	52,0	M6x1	-	-	T307	UK307 + H2307	-	-	33,50	19,20	2,5	30

* = Equipped with two open protective caps for passing shafts: Suffix CO see example on page 6

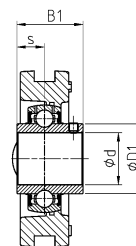
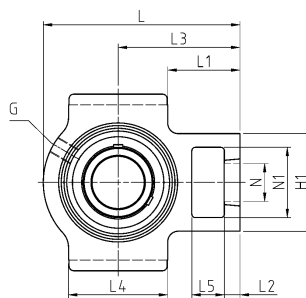
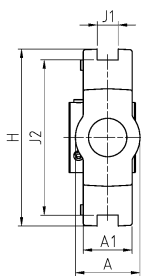
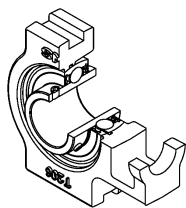
** = Equipped with one open and one closed protective cap for shaft ends: Suffix CC see example on page 6

*** = Protective cap for bearing inserts with eccentric locking collar at request

Housing

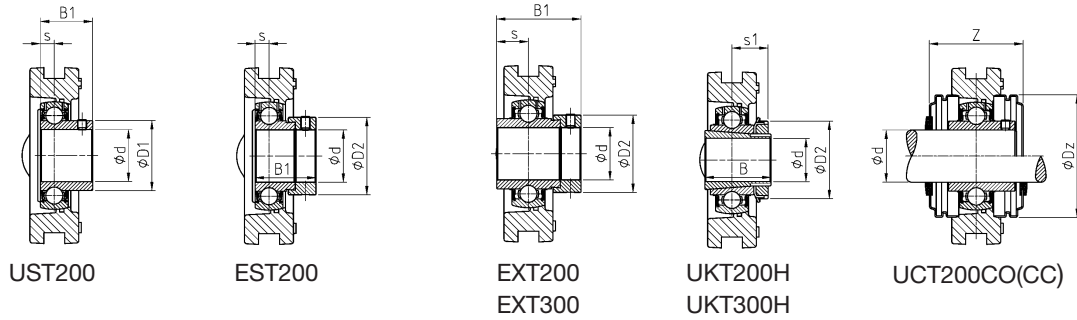
T200 relubricatable

T300 relubricatable



UCT200
UCT300

Shaft diameter		Unit		Main dimensions [mm]													
d [mm]		L	H	J1	J2	A	A1	L1	L2	L3	L4	L5	H1	N	N1	s1	B
35	UCT207	129	102	12	89	37	30	46,0	13	78	64	16	64	22	37	-	-
	UST207	129	102	12	89	37	30	46,0	13	78	64	16	64	22	37	-	-
	EST207	129	102	12	89	37	30	46,0	13	78	64	16	64	22	37	-	-
	EXT207	129	102	12	89	37	30	46,0	13	78	64	16	64	22	37	-	-
	UKT208H	144	114	16	102	49	33	46,5	16	88	83	19	83	29	49	24,5	46
	UCT307	150	111	16	100	45	32	54,0	17	94	80	20	75	30	45	-	-
	EXT307	150	111	16	100	45	32	54,0	17	94	80	20	75	30	45	-	-
	UKT308H	162	124	18	112	50	34	55,5	19	100	89	22	83	32	50	27,5	46
40	UCT208	144	114	16	102	49	33	46,5	16	88	83	19	83	29	49	-	-
	UST208	144	114	16	102	49	33	46,5	16	88	83	19	83	29	49	-	-
	EST208	144	114	16	102	49	33	46,5	16	88	83	19	83	29	49	-	-
	EXT208	144	114	16	102	49	33	46,5	16	88	83	19	83	29	49	-	-
	UKT209H	144	117	16	102	49	35	45,5	16	87	83	19	83	29	49	26,0	50
	UCT308	162	124	18	112	50	34	55,5	19	100	89	22	83	32	50	-	-
	EXT308	162	124	18	112	50	34	55,5	19	100	89	22	83	32	50	-	-
	UKT309H	178	138	18	125	55	38	61,5	20	110	97	24	90	34	55	30,0	50
45	UCT209	144	117	16	102	49	35	45,5	16	87	83	19	83	29	49	-	-
	UST209	144	117	16	102	49	35	45,5	16	87	83	19	83	29	49	-	-
	EST209	144	117	16	102	49	35	45,5	16	87	83	19	83	29	49	-	-
	EXT209	144	117	16	102	49	35	45,5	16	87	83	19	83	29	49	-	-
	UKT210H	149	117	16	102	49	37	47,0	16	90	86	19	83	29	49	27,5	55
	UCT309	178	138	18	125	55	38	61,5	20	110	97	24	90	34	55	-	-
	EXT309	178	138	18	125	55	38	61,5	20	110	97	24	90	34	55	-	-
	UKT310H	192	151	20	140	61	40	65,0	22	118	106	27	98	37	61	32,0	55
50	UCT210	149	117	16	102	49	37	47,0	16	90	86	19	83	29	49	-	-
	UST210	149	117	16	102	49	37	47,0	16	90	86	19	83	29	49	-	-
	EST210	149	117	16	102	49	37	47,0	16	90	86	19	83	29	49	-	-
	EXT210	149	117	16	102	49	37	47,0	16	90	86	19	83	29	49	-	-
	UKT211H	171	146	22	130	64	38	58,5	19	106	95	25	102	35	64	29,0	59
	UCT310	192	151	20	140	61	40	65,0	22	118	106	27	98	37	61	-	-
	EXT310	192	151	20	140	61	40	65,0	22	118	106	27	98	37	61	-	-
	UKT311H	207	163	22	150	66	44	69,5	23	127	115	29	105	39	66	34,0	59



B1	s	D1	D2	G	Z	Dz	Housing	Bearing insert	Open protec- tive caps *	Closed protec- tive caps **	Dynamic load rating	Static load rating	Weight	Shaft diameter
											C_r [kN]	C_{Or} [kN]	[kg]	d [mm]
42,9	17,5	48,0	-	M6x1	59,1	80,0	T207	UC207	CO	CC	25,70	15,20	1,6	35
32,0	8,5	48,0	-	M6x1	59,1	80,0	T207	US207	CO	CC	25,70	15,20	1,5	35
38,9	9,5	-	55,6	M6x1	***	***	T207	ES207	***	***	25,70	15,20	1,6	35
51,1	18,8	-	55,6	M6x1	***	***	T207	EX207	***	***	25,70	15,20	1,7	35
-	-	-	58,0	M6x1	68,6	88,0	T208	UK208 + H2308	CO	CC	29,60	18,20	2,4	35
48,0	19,0	48,9	-	M6x1	-	-	T307	UC307	-	-	33,50	19,20	2,3	35
51,6	18,3	-	55,0	M6x1	-	-	T307	EX307	-	-	33,50	19,20	2,4	35
-	-	-	58,0	M6x1	-	-	T308	UK308 + H2308	-	-	40,56	24,00	3,0	35
49,2	19,0	53,0	-	M6x1	68,6	88,0	T208	UC208	CO	CC	29,60	18,20	2,3	40
34,0	9,0	53,0	-	M6x1	68,6	88,0	T208	US208	CO	CC	29,60	18,20	2,3	40
43,7	11,0	-	60,3	M6x1	***	***	T208	ES208	***	***	29,60	18,20	2,3	40
56,3	21,4	-	60,3	M6x1	***	***	T208	EX208	***	***	29,60	18,20	2,5	40
-	-	-	65,0	M6x1	68,6	95,0	T209	UK209 + H2309	CO	CC	31,85	20,80	2,5	40
52,0	19,0	56,5	-	M6x1	-	-	T308	UC308	-	-	40,56	24,00	3,0	40
57,1	19,8	-	63,5	M6x1	-	-	T308	EX308	-	-	40,56	24,00	3,1	40
-	-	-	65,0	M6x1	-	-	T309	UK309 + H2309	-	-	53,00	31,80	4,2	40
49,2	19,0	57,2	-	M6x1	68,6	95,0	T209	UC209	CO	CC	31,85	20,80	2,3	45
41,2	10,2	57,2	-	M6x1	68,6	95,0	T209	US209	CO	CC	31,85	20,80	2,3	45
43,7	11,0	-	63,5	M6x1	***	***	T209	ES209	***	***	31,85	20,80	2,4	45
56,3	21,4	-	63,5	M6x1	***	***	T209	EX209	***	***	31,85	20,80	2,5	45
-	-	-	70,0	M6x1	74,1	100,0	T210	UK210 + H2310	CO	CC	35,10	23,20	2,7	45
57,0	22,0	61,8	-	M6x1	-	-	T309	UC309	-	-	53,00	31,80	4,0	45
58,7	19,8	-	70,0	M6x1	-	-	T309	EX309	-	-	53,00	31,80	4,2	45
-	-	-	70,0	M6x1	-	-	T310	UK310 + H2310	-	-	62,00	37,80	4,1	45
51,6	19,0	61,8	-	M6x1	74,1	100,0	T210	UC210	CO	CC	35,10	23,20	2,5	50
43,5	10,9	61,8	-	M6x1	74,1	100,0	T210	US210	CO	CC	35,10	23,20	2,5	50
43,7	11,0	-	69,9	M6x1	***	***	T210	ES210	***	***	35,10	23,20	2,5	50
62,7	24,6	-	69,9	M6x1	***	***	T210	EX210	***	***	35,10	23,20	2,7	50
-	-	-	75,0	M6x1	75,6	110,0	T211	UK211 + H2311	CO	CC	43,55	29,20	4,0	50
61,0	22,0	68,7	-	M6x1	-	-	T310	UC310	-	-	62,00	37,80	4,0	50
66,6	24,6	-	76,2	M6x1	-	-	T310	EX310	-	-	62,00	37,80	4,2	50
-	-	-	75,0	M6x1	-	-	T311	UK311 + H2311	-	-	71,50	44,80	6,4	50

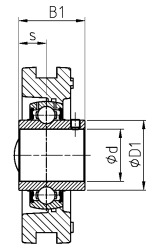
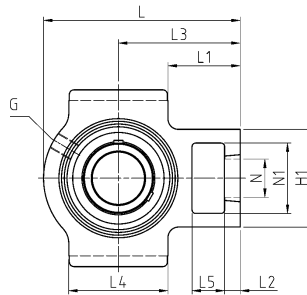
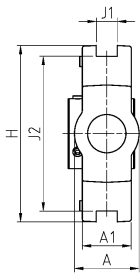
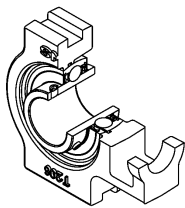
* = Equipped with two open protective caps for passing shafts: Suffix CO see example on page 6

** = Equipped with one open and one closed protective cap for shaft ends: Suffix CC see example on page 6

*** = Protective cap for bearing inserts with eccentric locking collar at request

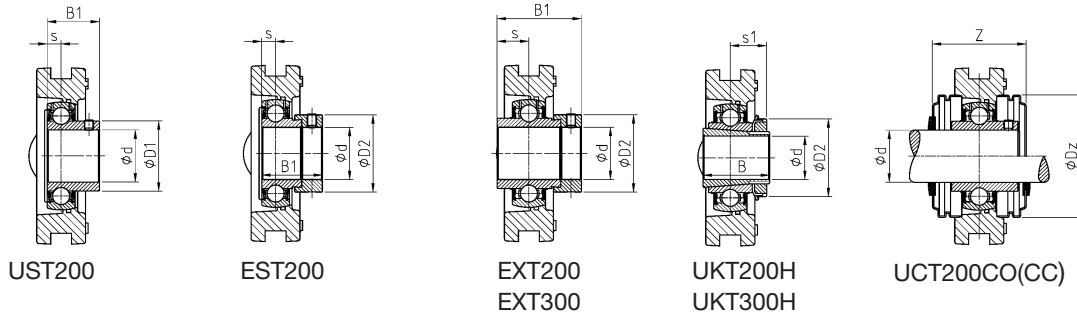
Housing

T200 relubricatable
T300 relubricatable



UCT200
UCT300

Shaft diameter		Unit		Main dimensions [mm]													
d [mm]		L	H	J1	J2	A	A1	L1	L2	L3	L4	L5	H1	N	N1	s1	B
55	UCT211	171	146	22	130	64	38	58,5	19	106	95	25	102	35	64	-	-
	UST211	171	146	22	130	64	38	58,5	19	106	95	25	102	35	64	-	-
	EST211	171	146	22	130	64	38	58,5	19	106	95	25	102	35	64	-	-
	EXT211	171	146	22	130	64	38	58,5	19	106	95	25	102	35	64	-	-
	UKT212H	194	146	22	130	64	42	68,0	19	119	102	32	102	35	64	31,0	62
	UCT311	207	163	22	150	66	44	69,5	23	127	115	29	105	39	66	-	-
	EXT311	207	163	22	150	66	44	69,5	23	127	115	29	105	39	66	-	-
	UKT312H	220	178	22	160	71	46	73,5	25	135	123	31	113	41	71	36,5	62
60	UCT212	194	146	22	130	64	42	68,0	19	119	102	32	102	35	64	-	-
	UST212	194	146	22	130	64	42	68,0	19	119	102	32	102	35	64	-	-
	EST212	194	146	22	130	64	42	68,0	19	119	102	32	102	35	64	-	-
	EXT212	194	146	22	130	64	42	68,0	19	119	102	32	102	35	64	-	-
	UKT213H	224	167	26	151	70	44	76,5	21	137	121	32	111	41	70	32,0	65
	UCT312	220	178	22	160	71	46	73,5	25	135	123	31	113	41	71	-	-
	EXT312	220	178	22	160	71	46	73,5	25	135	123	31	113	41	71	-	-
	UKT313H	238	190	26	170	80	50	79,0	27	146	134	32	116	43	70	38,5	65
65	UCT213	224	167	26	151	70	44	76,5	21	137	121	32	111	41	70	-	-
	EXT213	224	167	26	151	70	44	76,5	21	137	121	32	111	41	70	-	-
	UKT215H	232	167	26	151	70	48	79,5	21	140	121	32	111	41	70	35,5	73
	UCT313	238	190	26	170	80	50	79,0	27	146	134	32	116	43	70	-	-
	EXT313	238	190	26	170	80	50	79,0	27	146	134	32	116	43	70	-	-
	UKT315H	262	216	26	192	90	55	85,0	27	160	150	36	132	46	85	42,5	73
70	UCT214	224	167	26	151	70	46	76,5	21	137	121	32	111	41	70	-	-
	EXT214	224	167	26	151	70	46	76,5	21	137	121	32	111	41	70	-	-
	UKT216H	235	184	26	165	70	51	79,5	21	140	121	32	111	41	70	39,0	78
	UCT314	252	202	26	180	90	52	85,0	27	155	140	36	130	46	85	-	-
	EXT314	252	202	26	180	90	52	85,0	27	155	140	36	130	46	85	-	-
	UKT316H	282	230	30	204	102	60	94,0	30	174	160	42	150	53	98	44,5	78
75	UCT215	232	167	26	151	70	48	79,5	21	140	121	32	111	41	70	-	-
	EXT215	232	167	26	151	70	48	79,5	21	140	121	32	111	41	70	-	-
	UKT217H	260	198	30	173	73	54	83,5	29	162	157	38	124	48	73	40,0	82
	UCT315	262	216	26	192	90	55	85,0	27	160	150	36	132	46	85	-	-
	EXT315	262	216	26	192	90	55	85,0	27	160	150	36	132	46	85	-	-
	UKT317H	298	240	32	214	102	64	98,0	32	183	170	42	152	53	98	48,0	82



B1	s	D1	D2	G	Z	Dz	Housing	Bearing insert	Open protec- tive caps *	Closed protec- tive caps **	Dynamic load rating	Static load rating	Weight	Shaft diameter
											C _r [kN]	C _{0r} [kN]	[kg]	d [mm]
55,6	22,2	69,0	-	M6x1	75,6	110,0	T211	UC211	CO	CC	43,55	29,20	3,9	55
45,3	11,8	69,0	-	M6x1	75,6	110,0	T211	US211	CO	CC	43,55	29,20	3,8	
48,4	12,0	-	76,2	M6x1	***	***	T211	ES211	***	***	43,55	29,20	3,6	
71,3	27,7	-	76,2	M6x1	***	***	T211	EX211	***	***	43,55	29,20	4,2	
-	-	-	80,0	M6x1	88,6	120,0	T212	UK212 + H2312	CO	CC	52,50	32,80	4,7	
66,0	25,0	74,9	-	M6x1	-	-	T311	UC311	-	-	71,50	44,80	6,1	
73,0	27,8	-	83,0	M6x1	-	-	T311	EX311	-	-	71,50	44,80	6,5	
-	-	-	80,0	M6x1	-	-	T312	UK312 + H2312	-	-	81,60	51,80	7,5	
65,1	25,4	74,9	-	M6x1	88,6	120,0	T212	UC212	CO	CC	52,50	32,80	4,7	60
53,7	14,9	74,9	-	M6x1	88,6	120,0	T212	US212	CO	CC	52,50	32,80	4,5	
49,3	12,0	-	84,2	M6x1	***	***	T212	ES212	***	***	52,50	32,80	4,4	
77,7	30,9	-	84,2	M6x1	***	***	T212	EX212	***	***	52,50	32,80	5,1	
-	-	-	85,0	M6x1	88,6	132,0	T213	UK213 + H2313	CO	CC	57,20	40,00	6,8	
71,0	26,0	81,0	-	M6x1	-	-	T312	UC312	-	-	81,60	51,80	7,6	
79,4	31,0	-	89,0	M6x1	-	-	T312	EX312	-	-	81,60	51,80	7,9	
-	-	-	85,0	M6x1	-	-	T313	UK313 + H2313	-	-	93,86	60,50	9,5	
65,1	25,4	82,0	-	M6x1	88,6	132,0	T213	UC213	CO	CC	57,20	40,00	6,8	65
85,7	34,1	-	86,0	M6x1	***	***	T213	EX213	***	***	57,20	40,00	7,3	
-	-	-	98,0	M10x1	-	-	T215	UK215 + H2315	-	-	66,00	49,50	7,6	
75,0	30,0	87,5	-	M6x1	-	-	T313	UC313	-	-	93,86	60,50	9,5	
85,7	32,5	-	97,0	M6x1	-	-	T313	EX313	-	-	93,86	60,50	9,9	
-	-	-	98,0	M10x1	-	-	T315	UK315 + H2315	-	-	113,36	76,80	13,2	
74,6	30,2	86,5	-	M10x1	-	-	T214	UC214	-	-	62,00	45,00	6,9	70
85,7	34,1	-	96,8	M10x1	-	-	T214	EX214	-	-	62,00	45,00	7,4	
-	-	-	105,0	M10x1	-	-	T216	UK216 + H2316	-	-	72,50	54,20	8,7	
78,0	33,0	94,0	-	M10x1	-	-	T314	UC314	-	-	104,26	68,00	11,1	
92,1	34,2	-	102,0	M10x1	-	-	T314	EX314	-	-	104,26	68,00	11,7	
-	-	-	105,0	M10x1	-	-	T316	UK316 + H2316	-	-	122,85	86,50	16,2	
77,8	33,3	91,5	-	M10x1	-	-	T215	UC215	-	-	66,00	49,50	7,2	75
92,1	37,3	-	102,0	M10x1	-	-	T215	EX215	-	-	66,00	49,50	7,9	
-	-	-	110,0	M10x1	-	-	T217	UK217 + H2317	-	-	83,20	63,80	11,2	
82,0	32,0	100,5	-	M10x1	-	-	T315	UC315	-	-	113,36	76,80	12,5	
100,0	37,3	-	113,0	M10x1	-	-	T315	EX315	-	-	113,36	76,80	13,5	
-	-	-	110,0	M10x1	-	-	T317	UK317 + H2317	-	-	132,60	96,50	19,0	

* = Equipped with two open protective caps for passing shafts: Suffix CO see example on page 6

** = Equipped with one open and one closed protective cap for shaft ends: Suffix CC see example on page 6

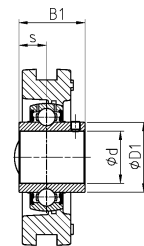
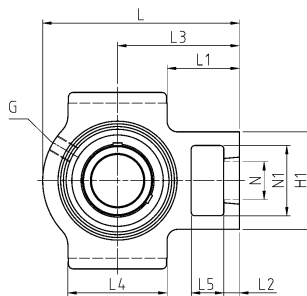
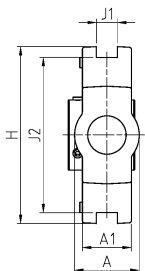
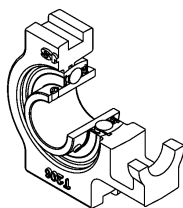
*** = Protective cap for bearing inserts with eccentric locking collar at request



Housing

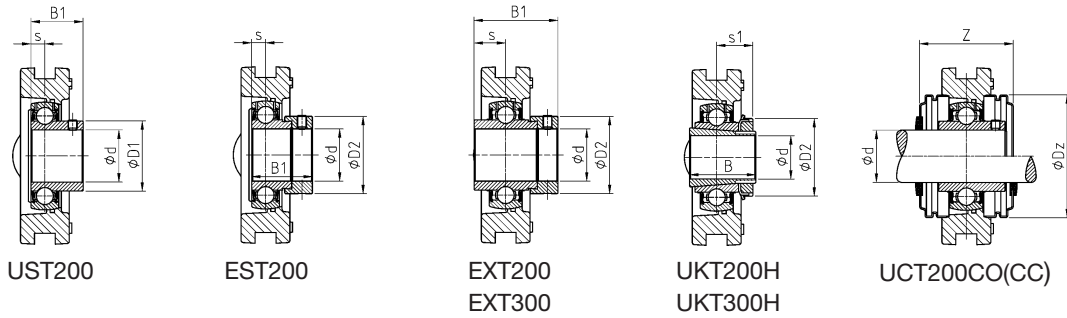
T200 relubricatable

T300 relubricatable



UCT200
UCT300

Shaft diameter		Unit		Main dimensions [mm]													
d [mm]		L	H	J1	J2	A	A1	L1	L2	L3	L4	L5	H1	N	N1	s1	B
80	UCT216	235	184	26	165	70	51	79,5	21	140	121	32	111	41	70	-	-
	EXT216	235	184	26	165	70	51	79,5	21	140	121	32	111	41	70	-	-
	UCT316	282	230	30	204	102	60	94,0	30	174	160	42	150	53	98	-	-
	EXT316	282	230	30	204	102	60	94,0	30	174	160	42	150	53	98	-	-
	UKT318H	312	255	32	228	110	66	104,5	32	192	175	46	160	57	106	48,0	86,0
85	UCT217	260	198	30	173	73	54	83,5	29	162	157	38	124	48	73	-	-
	EXT217	260	198	30	173	73	54	83,5	29	162	157	38	124	48	73	-	-
	UCT317	298	240	32	214	102	64	98,0	32	183	170	42	152	53	98	-	-
	EXT317	298	240	32	214	102	64	98,0	32	183	170	42	152	53	98	-	-
	UKT319H	322	270	35	240	110	72	107,0	33	197	180	46	165	57	106	52,0	90,0
90	UCT318	312	255	32	228	110	66	104,5	32	192	175	46	160	57	106	-	-
	EXT318	312	255	32	228	110	66	104,5	32	192	175	46	160	57	106	-	-
	UKT320H	345	290	35	260	120	75	110,0	34	210	200	48	175	59	115	54,0	97,0
95	UCT319	322	270	35	240	110	72	107,0	33	197	180	46	165	57	106	-	-
	EXT319	322	270	35	240	110	72	107,0	33	197	180	46	165	57	106	-	-
100	UCT320	345	290	35	260	120	75	110,0	34	210	200	48	175	59	115	-	-
	EXT320	345	290	35	260	120	75	110,0	34	210	200	48	175	59	115	-	-
	UKT322H	385	320	38	285	130	80	127,5	40	235	215	52	185	65	125	61,0	105,0
105	UCT321	347	290	35	260	120	75	112,0	34	212	200	48	175	59	115	-	-
110	UCT322	385	320	38	285	130	80	127,5	40	235	215	52	185	65	125	-	-
	UKT324H	432	355	45	320	140	90	152,0	44	267	230	60	210	70	140	65,0	112,0
115	UKT326H	465	385	50	350	150	100	165,0	47	285	240	65	220	75	150	69,0	121,0
120	UCT324	432	355	45	320	140	90	152,0	44	267	230	60	210	70	140	-	-
125	UKT328H	515	415	50	380	155	100	187,5	52	315	255	70	230	80	160	73,0	131,0
130	UCT326	465	385	50	350	150	100	165,0	47	285	240	65	220	75	150	-	-
140	UCT328	515	415	50	380	155	100	187,5	52	315	255	70	230	80	160	-	-



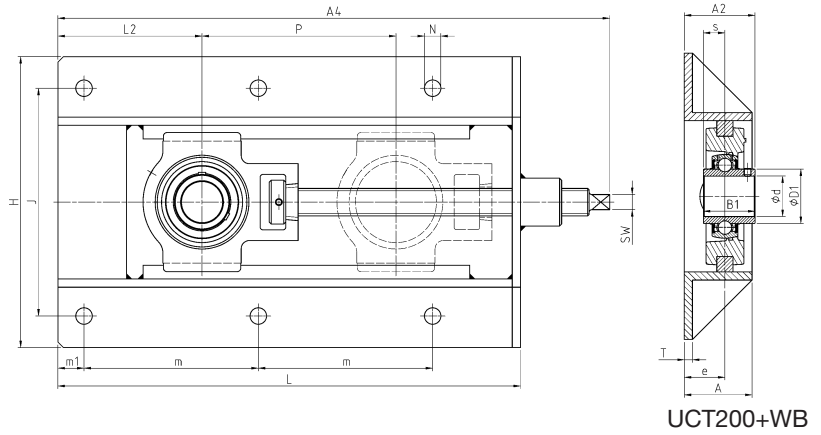
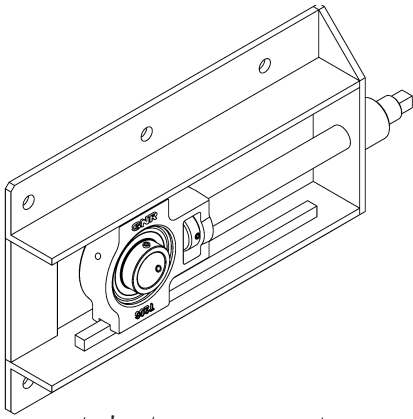
B1	s	D1	D2	G	Z	Dz	Housing	Bearing insert	Open protective caps *	Closed protective caps **	Dynamic load rating	Static load rating	Weight	Shaft diameter
											C_r [kN]	C_{or} [kN]	[kg]	d [mm]
82,6	33,3	98,0	-	M10x1	-	-	T216	UC216	-	-	72,50	54,20	8,2	80
95,2	37,3	-	110,0	M10x1	-	-	T216	EX216	-	-	72,50	54,20	8,6	80
86,0	34,0	107,9	-	M10x1	-	-	T316	UC316	-	-	122,85	86,50	16,0	80
106,4	40,5	-	119,0	M10x1	-	-	T316	EX316	-	-	122,85	86,50	17,1	80
-	-	-	120,0	M10x1	-	-	T318	UK318 + H2318	-	-	143,00	108,00	21,6	80
85,7	34,1	105,1	-	M10x1	-	-	T217	UC217	-	-	83,20	63,80	10,8	85
73,2	23,4	-	119,0	M10x1	-	-	T217	EX217	-	-	83,20	63,80	11,1	85
96,0	40,0	114,0	-	M10x1	-	-	T317	UC317	-	-	132,60	96,50	18,9	85
109,5	42,0	-	127,0	M10x1	-	-	T317	EX317	-	-	132,60	96,50	20,0	85
-	-	-	125,0	M10x1	-	-	T319	UK319 + H2319	-	-	156,00	122,00	26,2	85
96,0	40,0	120,0	-	M10x1	-	-	T318	UC318	-	-	143,00	108,00	21,5	90
115,9	43,6	-	133,0	M10x1	-	-	T318	EX318	-	-	143,00	108,00	22,7	90
-	-	-	130,0	M10x1	-	-	T320	UK320 + H2320	-	-	171,60	140,00	30,4	90
103,0	41,0	126,5	-	M10x1	-	-	T319	UC319	-	-	156,00	122,00	25,9	95
122,3	46,8	-	140,0	M10x1	-	-	T319	EX319	-	-	156,00	122,00	27,4	95
108,0	42,0	134,5	-	M10x1	-	-	T320	UC320	-	-	171,60	140,00	30,6	100
128,6	50,0	-	146,0	M10x1	-	-	T320	EX320	-	-	171,60	140,00	32,4	100
-	-	-	145,0	M10x1	-	-	T322	UK322 + H2322	-	-	205,00	178,00	41,9	100
112,0	44,0	140,5	-	M10x1	-	-	T321	UC321	-	-	182,00	155,00	31,6	105
117,0	46,0	149,0	-	M10x1	-	-	T322	UC322	-	-	205,00	178,00	38,6	110
-	-	-	155,0	M10x1	-	-	T324	UK324 + H2324	-	-	228,00	208,00	56,6	110
-	-	176,1	165,0	M10x1	-	-	T326	UK326 + H2326	-	-	252,00	242,00	72,7	115
126,0	51,0	163,0	-	M10x1	-	-	T324	UC324	-	-	228,00	208,00	53,9	120
-	-	-	180,0	M10x1	-	-	T328	UK328 + H2328	-	-	275,00	272,00	89,2	125
135,0	54,0	177,0	-	M10x1	-	-	T326	UC326	-	-	252,00	242,00	67,8	130
145,0	59,0	190,0	-	M10x1	-	-	T328	UC328	-	-	275,00	272,00	83,2	140

* = Equipped with two open protective caps for passing shafts: Suffix CO see example on page 6

** = Equipped with one open and one closed protective cap for shaft ends: Suffix CC see example on page 6

*** = Protective cap for bearing inserts with eccentric locking collar at request

Housing T200+WB relubricatable

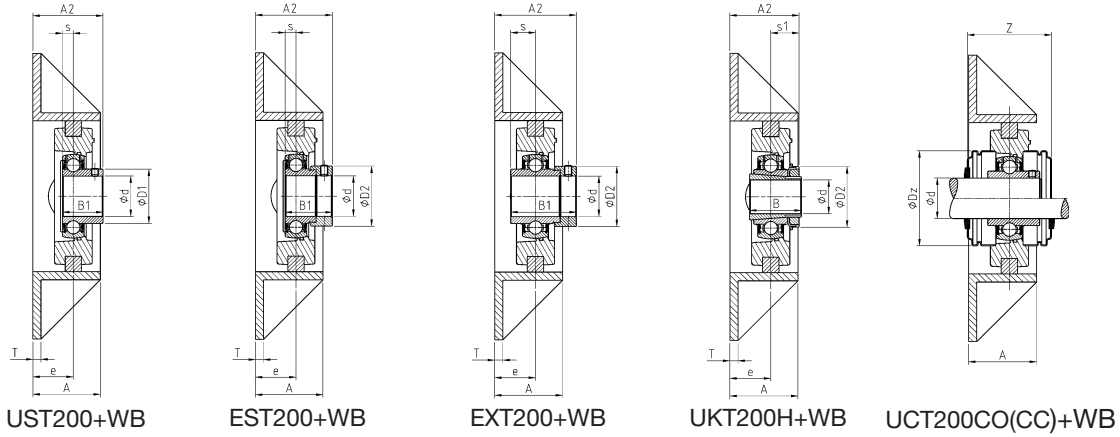


UCT200+WB

Shaft diameter
Unit

Main dimensions [mm]

d [mm]	Unit	L	H	J	m	m1	A	A2	A4	L2	P	T	e	N	SW	s1	B	B1
12	UCT201+WB	317	199	154	117	19	50	47,3	367	83	150	6	29	12	11	-	-	31,0
	UST201+WB	317	199	154	117	19	50	45,0	367	83	150	6	29	12	11	-	-	22,0
	EST201+WB	317	199	154	117	19	50	51,1	367	83	150	6	29	12	11	-	-	28,6
	EXT201+WB	317	199	154	117	19	50	55,5	367	83	150	6	29	12	11	-	-	43,5
15	UCT202+WB	317	199	154	117	19	50	47,3	367	83	150	6	29	12	11	-	-	31,0
	UST202+WB	317	199	154	117	19	50	45,0	367	83	150	6	29	12	11	-	-	22,0
	EST202+WB	317	199	154	117	19	50	51,1	367	83	150	6	29	12	11	-	-	28,6
	EXT202+WB	317	199	154	117	19	50	55,5	367	83	150	6	29	12	11	-	-	43,5
17	UCT203+WB	317	199	154	117	19	50	47,3	367	83	150	6	29	12	11	-	-	31,0
	UST203+WB	317	199	154	117	19	50	45,0	367	83	150	6	29	12	11	-	-	22,0
	EST203+WB	317	199	154	117	19	50	51,1	367	83	150	6	29	12	11	-	-	28,6
	EXT203+WB	317	199	154	117	19	50	55,5	367	83	150	6	29	12	11	-	-	43,5
20	UCT204+WB	317	199	154	117	19	50	47,3	367	83	150	6	29	12	11	-	-	31,0
	UST204+WB	317	199	154	117	19	50	47,0	367	83	150	6	29	12	11	-	-	25,0
	EST204+WB	317	199	154	117	19	50	52,4	367	83	150	6	29	12	11	-	-	30,9
	EXT204+WB	317	199	154	117	19	50	55,5	367	83	150	6	29	12	11	-	-	43,5
	UKT205H+WB	317	199	154	117	19	50	47,5	368	83	150	6	29	12	11	18,5	35,0	-
25	UCT205+WB	317	199	154	117	19	50	48,7	368	83	150	6	29	12	11	-	-	34,0
	UST205+WB	317	199	154	117	19	50	48,5	368	83	150	6	29	12	11	-	-	27,0
	EST205+WB	317	199	154	117	19	50	52,4	368	83	150	6	29	12	11	-	-	30,9
	EXT205+WB	317	199	154	117	19	50	55,9	368	83	150	6	29	12	11	-	-	44,3
	UKT206H+WB	337	212	166	127	19	50	50,5	396	95	150	6	30	12	11	20,5	38,0	-
30	UCT206+WB	337	212	166	127	19	50	52,2	396	95	150	6	30	12	11	-	-	38,1
	UST206+WB	337	212	166	127	19	50	52,0	396	95	150	6	30	12	11	-	-	30,0
	EST206+WB	337	212	166	127	19	50	56,7	396	95	150	6	30	12	11	-	-	35,7
	EXT206+WB	337	212	166	127	19	50	60,1	396	95	150	6	30	12	11	-	-	48,3
	UKT207H+WB	429	212	166	173	19	50	52,5	490	99	230	6	30	12	12	22,5	43,0	-
35	UCT207+WB	429	212	166	173	19	50	55,4	490	99	230	6	30	12	12	-	-	42,9
	UST207+WB	429	212	166	173	19	50	53,5	490	99	230	6	30	12	12	-	-	32,0
	EST207+WB	429	212	166	173	19	50	59,4	490	99	230	6	30	12	12	-	-	38,9
	EXT207+WB	429	212	166	173	19	50	62,3	490	99	230	6	30	12	12	-	-	51,1
	UKT208H+WB	520	233	192	219	22	50	54,5	591	108	300	6	30	15	15	24,5	46,0	-
40	UCT208+WB	520	233	192	219	22	50	60,2	591	108	300	6	30	15	15	-	-	49,2
	UST208+WB	520	233	192	219	22	50	55,0	591	108	300	6	30	15	15	-	-	34,0
	EST208+WB	520	233	192	219	22	50	62,7	591	108	300	6	30	15	15	-	-	43,7
	EXT208+WB	520	233	192	219	22	50	64,9	591	108	300	6	30	15	15	-	-	56,3
	UKT209H+WB	520	233	192	219	22	50	56,0	590	108	300	6	30	15	15	26,0	50,0	-



s	D1	D2	Z	Dz	Housing	Bearing insert	Tensioning frame	Open protec. tire caps *	Closed protec. tire caps **	Dynamic load rating	Static load rating	Weight	Shaft diameter
										C _r [kN]	C _{Or} [kN]	[kg]	d [mm]
12,7	29,0	-	43,7	54,0	T204	UC201	WB205	CO	CC	12,80	6,65	5,2	12
6,0	24,6	-	43,7	46,0	T204	US201	WB205	CO	CC	9,55	4,78	5,1	12
6,5	-	28,6	***	***	T204	ES201	WB205	***	***	9,55	4,78	5,1	12
17,0	-	33,3	***	***	T204	EX201	WB205	***	***	12,80	6,65	5,3	12
12,7	29,0	-	43,7	54,0	T204	UC202	WB205	CO	CC	12,80	6,65	5,2	15
6,0	24,6	-	43,7	46,0	T204	US202	WB205	CO	CC	9,55	4,78	5,1	15
6,5	-	28,6	***	***	T204	ES202	WB205	***	***	9,55	4,78	5,1	15
17,0	-	33,3	***	***	T204	EX202	WB205	***	***	12,80	6,65	5,3	15
12,7	29,0	-	43,7	54,0	T204	UC203	WB205	CO	CC	12,80	6,65	5,2	17
6,0	24,6	-	43,7	46,0	T204	US203	WB205	CO	CC	9,55	4,78	5,1	17
6,5	-	28,6	***	***	T204	ES203	WB205	***	***	9,55	4,78	5,1	17
17,0	-	33,3	***	***	T204	EX203	WB205	***	***	12,80	6,65	5,3	17
12,7	29,0	-	43,7	54,0	T204	UC204	WB205	CO	CC	12,80	6,65	5,2	20
7,0	29,0	-	43,7	54,0	T204	US204	WB205	CO	CC	12,80	6,65	5,1	20
7,5	-	33,3	***	***	T204	ES204	WB205	***	***	12,80	6,65	5,2	20
17,0	-	33,3	***	***	T204	EX204	WB205	***	***	12,80	6,65	5,2	20
-	-	38,0	47,5	60,0	T205	UK205 + H2305	WB205	CO	CC	14,00	7,88	5,2	20
14,3	34,0	-	47,5	60,0	T205	UC205	WB205	CO	CC	14,00	7,88	5,2	25
7,5	34,0	-	47,5	60,0	T205	US205	WB205	CO	CC	14,00	7,88	5,2	25
7,5	-	38,1	***	***	T205	ES205	WB205	***	***	14,00	7,88	5,2	25
17,4	-	38,1	***	***	T205	EX205	WB205	***	***	14,00	7,88	5,3	25
-	-	45,0	52,5	70,0	T206	UK206 + H2306	WB206	CO	CC	19,50	11,20	6,3	25
15,9	40,3	-	52,5	70,0	T206	UC206	WB206	CO	CC	19,50	11,20	6,2	30
8,0	40,3	-	52,5	70,0	T206	US206	WB206	CO	CC	19,50	11,20	6,2	30
9,0	-	44,5	***	***	T206	ES206	WB206	***	***	19,50	11,20	6,2	30
18,2	-	44,5	***	***	T206	EX206	WB206	***	***	19,50	11,20	6,3	30
-	-	52,0	59,1	80,0	T207	UK207 + H2307	WB207	CO	CC	25,70	15,20	8,4	30
17,5	48,0	-	59,1	80,0	T207	UC207	WB207	CO	CC	25,70	15,20	8,4	35
8,5	48,0	-	59,1	80,0	T207	US207	WB207	CO	CC	25,70	15,20	8,3	35
9,5	-	55,6	***	***	T207	ES207	WB207	***	***	25,70	15,20	8,4	35
18,8	-	55,6	***	***	T207	EX207	WB207	***	***	25,70	15,20	8,5	35
-	-	58,0	68,6	88,0	T208	UK208 + H2308	WB210	CO	CC	29,60	18,20	11,8	35
19,0	53,0	-	68,6	88,0	T208	UC208	WB210	CO	CC	29,60	18,20	11,7	40
9,0	53,0	-	68,6	88,0	T208	US208	WB210	CO	CC	29,60	18,20	11,7	40
11,0	-	60,3	***	***	T208	ES208	WB210	***	***	29,60	18,20	11,8	40
21,4	-	60,3	***	***	T208	EX208	WB210	***	***	29,60	18,20	11,9	40
-	-	65,0	68,6	95,0	T209	UK209 + H2309	WB210	CO	CC	31,85	20,80	11,9	40

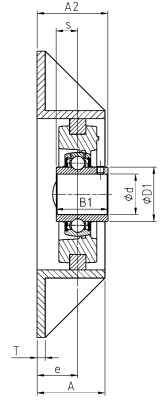
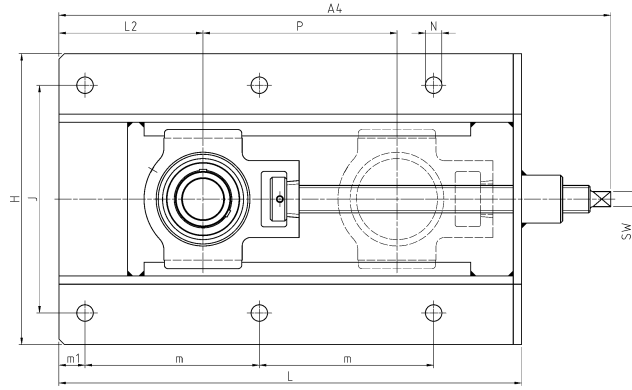
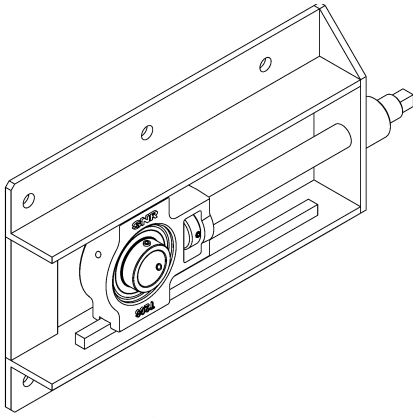
* = Equipped with two open protective caps for passing shafts: Suffix CO see example on page 6

** = Equipped with one open and one closed protective cap for shaft ends: Suffix CC see example on page 6

*** = Protective cap for bearing inserts with eccentric locking collar at request

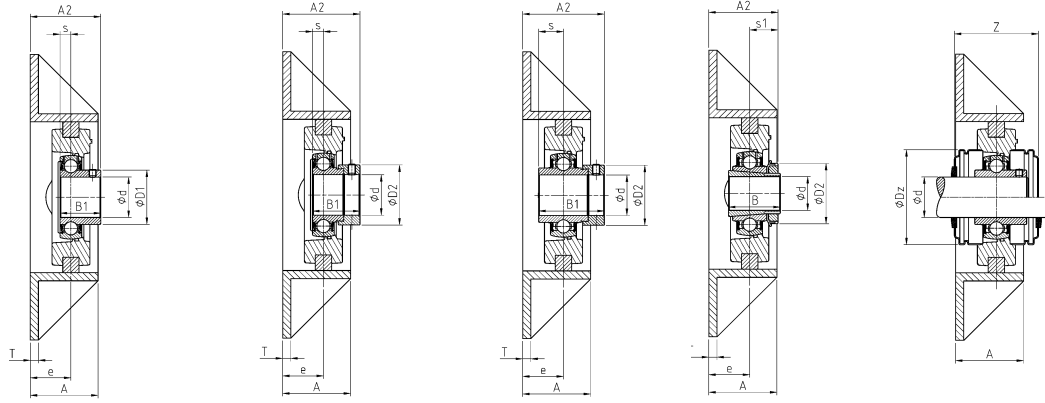


Housing T200+WB relubricatable



UCT200+WB

d [mm]	Unit	Main dimensions [mm]																
		L	H	J	m	m1	A	A2	A4	L2	P	T	e	N	SW	s1	B	B1
45	UCT209+WB	520	233	192	219	22	50	60,2	590	108	300	6	30	15	15	-	-	49,2
	UST209+WB	520	233	192	219	22	50	61,0	590	108	300	6	30	15	15	-	-	41,2
	EST209+WB	520	233	192	219	22	50	62,7	590	108	300	6	30	15	15	-	-	43,7
	EXT209+WB	520	233	192	219	22	50	64,9	590	108	300	6	30	15	15	-	-	56,3
	UKT210H+WB	520	233	192	219	22	50	57,5	593	108	300	6	30	15	15	27,5	55,0	-
50	UCT210+WB	520	233	192	219	22	50	62,6	593	108	300	6	30	15	15	-	-	51,6
	UST210+WB	520	233	192	219	22	50	62,6	593	108	300	6	30	15	15	-	-	43,5
	EST210+WB	520	233	192	219	22	50	62,7	593	108	300	6	30	15	15	-	-	43,7
	EXT210+WB	520	233	192	219	22	50	68,1	593	108	300	6	30	15	15	-	-	62,7
	UKT211H+WB	542	301	240	230	22	65	67,0	631	114	300	6	38	15	19	29,0	59,0	-
55	UCT211+WB	542	301	240	230	22	65	71,4	631	114	300	6	38	15	19	-	-	55,6
	UST211+WB	542	301	240	230	22	65	71,5	631	114	300	6	38	15	19	-	-	45,3
	EST211+WB	542	301	240	230	22	65	74,4	631	114	300	6	38	15	19	-	-	48,4
	EXT211+WB	542	301	240	230	22	65	81,6	631	114	300	6	38	15	19	-	-	71,3
	UKT212H+WB	568	301	240	243	22	65	69,0	651	127	300	6	38	15	19	31,0	62,0	-
60	UCT212+WB	568	301	240	243	22	65	77,7	651	127	300	6	38	15	19	-	-	65,1
	UST212+WB	568	301	240	243	22	65	76,8	651	127	300	6	38	15	19	-	-	53,7
	EST212+WB	568	301	240	243	22	65	75,3	651	127	300	6	38	15	19	-	-	49,3
	EXT212+WB	568	301	240	243	22	65	84,8	651	127	300	6	38	15	19	-	-	77,7
	UKT213H+WB	606	322	260	260	22	65	70,0	699	144	300	6	38	15	24	32,0	65,0	-
65	UCT213+WB	606	322	260	260	22	65	77,7	699	144	300	6	38	15	24	-	-	65,1
	EXT213+WB	606	322	260	260	22	65	89,6	699	144	300	6	38	15	24	-	-	85,7



UST200+WB EST200+WB EXT200+WB UKT200H+WB UCT200CO(CC)+WB

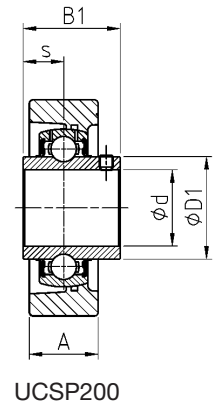
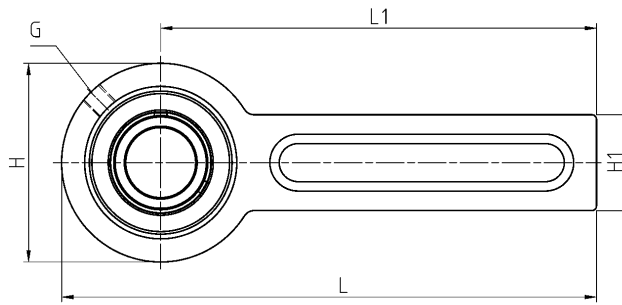
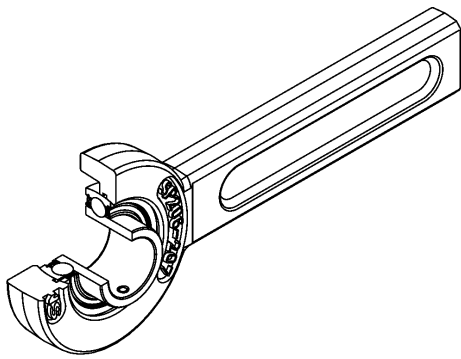
s	D1	D2	Z	Dz	Housing		Tensioning frame	Open protec- tive caps *		Dynamic load rating **	Static load rating	Weight	Shaft diameter
					Bearing insert			C _r	C _{or}				
										[kN]	[kN]	[kg]	[mm]
19,0	57,2	-	68,6	95,0	T209	UC209	WB210	CO	CC	31,85	20,80	11,8	45
10,2	57,2	-	68,6	95,0	T209	US209	WB210	CO	CC	31,85	20,80	11,8	
11,0	-	63,5	***	***	T209	ES209	WB210	***	***	31,85	20,80	11,8	
21,4	-	63,5	***	***	T209	EX209	WB210	***	***	31,85	20,80	12,0	
-	-	70,0	74,1	100,0	T210	UK210 + H2310	WB210	CO	CC	35,10	23,20	12,2	
19,0	61,8	-	74,1	100,0	T210	UC210	WB210	CO	CC	35,10	23,20	12,0	50
10,9	61,8	-	74,1	100,0	T210	US210	WB210	CO	CC	35,10	23,20	12,0	
11,0	-	69,9	***	***	T210	ES210	WB210	***	***	35,10	23,20	12,0	
24,6	-	69,9	***	***	T210	EX210	WB210	***	***	35,10	23,20	12,2	
-	-	75,0	75,6	110,0	T211	UK211 + H2311	WB211	CO	CC	43,55	29,20	18,5	
22,2	69,0	-	75,6	110,0	T211	UC211	WB211	CO	CC	43,55	29,20	18,4	55
11,8	69,0	-	75,6	110,0	T211	US211	WB211	CO	CC	43,55	29,20	18,4	
12,0	-	76,2	***	***	T211	ES211	WB211	***	***	43,55	29,20	18,2	
27,7	-	76,2	***	***	T211	EX211	WB211	***	***	43,55	29,20	18,7	
-	-	80,0	88,6	120,0	T212	UK212 + H2312	WB212	CO	CC	52,50	32,80	20,2	
25,4	74,9	-	88,6	120,0	T212	UC212	WB212	CO	CC	52,50	32,80	20,2	60
14,9	74,9	-	88,6	120,0	T212	US212	WB212	CO	CC	52,50	32,80	20,0	
12,0	-	84,2	***	***	T212	ES212	WB212	***	***	52,50	32,80	19,9	
30,9	-	84,2	***	***	T212	EX212	WB212	***	***	52,50	32,80	20,6	
-	-	85,0	88,6	132,0	T213	UK213 + H2313	WB213	CO	CC	57,20	40,00	25,3	
25,4	82,0	-	88,6	132,0	T213	UC213	WB213	CO	CC	57,20	40,00	25,3	65
34,1	-	86,0	***	***	T213	EX213	WB213	***	***	57,20	40,00	25,8	

* = Equipped with two open protective caps for passing shafts: Suffix CO see example on page 6

** = Equipped with one open and one closed protective cap for shaft ends: Suffix CC see example on page 6

*** = Protective cap for bearing inserts with eccentric locking collar at request

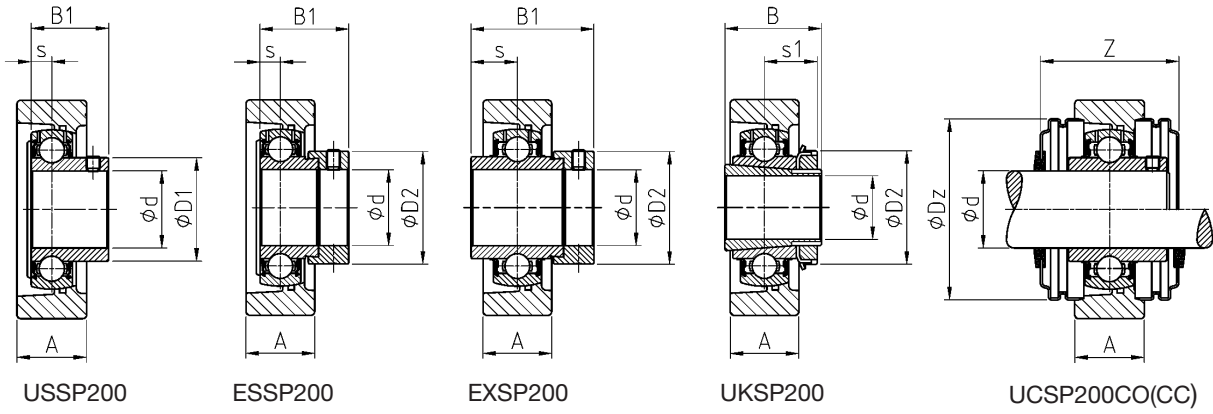
Housing SP200 relubricatable



Shaft diameter
Unit

Main dimensions [mm]

d [mm]	Unit	L	H	L1	H1	A	s1	B	B1	s	D1	D2	G	Z	Dz
12	UCSP201	264	78	225	41	21	-	-	31,0	12,7	29,0	-	R1/8"	48,8	60,0
	USSP201	264	78	225	41	21	-	-	22,0	6,0	24,6	-	R1/8"	48,8	60,0
	ESSP201	264	78	225	41	21	-	-	28,6	6,5	-	28,6	R1/8"	***	***
	EXSP201	264	78	225	41	21	-	-	43,5	17,0	-	33,3	R1/8"	***	***
15	UCSP202	264	78	225	41	21	-	-	31,0	12,7	29,0	-	R1/8"	48,8	60,0
	USSP202	264	78	225	41	21	-	-	22,0	6,0	24,6	-	R1/8"	48,8	60,0
	ESSP202	264	78	225	41	21	-	-	28,6	6,5	-	28,6	R1/8"	***	***
	EXSP202	264	78	225	41	21	-	-	43,5	17,0	-	33,3	R1/8"	***	***
17	UCSP203	264	78	225	41	21	-	-	31,0	12,7	29,0	-	R1/8"	48,8	60,0
	USSP203	264	78	225	41	21	-	-	22,0	6,0	24,6	-	R1/8"	48,8	60,0
	ESSP203	264	78	225	41	21	-	-	28,6	6,5	-	28,6	R1/8"	***	***
	EXSP203	264	78	225	41	21	-	-	43,5	17,0	-	33,3	R1/8"	***	***
20	UCSP204	264	78	225	41	21	-	-	31,0	12,7	29,0	-	R1/8"	48,8	60,0
	USSP204	264	78	225	41	21	-	-	25,0	7,0	29,0	-	R1/8"	48,8	60,0
	ESSP204	264	78	225	41	21	-	-	30,9	7,5	-	33,3	R1/8"	***	***
	EXSP204	264	78	225	41	21	-	-	43,5	17,0	-	33,3	R1/8"	***	***
	UKSP205H	264	78	225	41	21	18,5	35,0	-	-	-	38,0	R1/8"	48,8	60,0
25	UCSP205	264	78	225	41	21	-	-	34,0	14,3	34,0	-	R1/8"	48,8	60,0
	USSP205	264	78	225	41	21	-	-	27,0	7,5	34,0	-	R1/8"	48,8	60,0
	ESSP205	264	78	225	41	21	-	-	30,9	7,5	-	38,1	R1/8"	***	***
	EXSP205	264	78	225	41	21	-	-	44,3	17,4	-	38,1	R1/8"	***	***
	UKSP206H	274	98	225	41	21	20,5	38,0	-	-	-	45,0	R1/8"	58,4	80,0
30	UCSP206	274	98	225	41	21	-	-	38,1	15,9	40,3	-	R1/8"	58,4	80,0
	USSP206	274	98	225	41	21	-	-	30,0	8,0	40,3	-	R1/8"	58,4	80,0
	ESSP206	274	98	225	41	21	-	-	35,7	9,0	-	44,5	R1/8"	***	***
	EXSP206	274	98	225	41	21	-	-	48,3	18,2	-	44,5	R1/8"	***	***
	UKSP207H	274	98	225	41	21	22,5	43,0	-	-	-	52,0	R1/8"	58,4	80,0
35	UCSP207	274	98	225	41	21	-	-	42,9	17,5	48,0	-	R1/8"	58,4	80,0
	USSP207	274	98	225	41	21	-	-	32,0	8,5	48,0	-	R1/8"	58,4	80,0
	ESSP207	274	98	225	41	21	-	-	38,9	9,5	-	55,6	R1/8"	***	***
	EXSP207	274	98	225	41	21	-	-	51,1	18,8	-	55,6	R1/8"	***	***
	UKSP208H	320	120	260	61	31	24,5	46,0	-	-	-	58,0	R1/8"	75,6	100,0
40	UCSP208	320	120	260	61	31	-	-	49,2	19,0	53,0	-	R1/8"	75,6	100,0
	USSP208	320	120	260	61	31	-	-	34,0	9,0	53,0	-	R1/8"	75,6	100,0
	ESSP208	320	120	260	61	31	-	-	43,7	11,0	-	60,3	R1/8"	***	***
	EXSP208	320	120	260	61	31	-	-	56,3	21,4	-	60,3	R1/8"	***	***
	UKSP209H	320	120	260	61	31	26,0	50,0	-	-	-	65,0	R1/8"	75,6	100,0



Housing
Bearing insert
Stretcher frame **** (page 136)
Open protec-
tive caps *
Closed protec-
tive caps **
Dynamic load
rating
Static load
rating
Weight
Shaft diameter

								C_r	C_{or}		d
								[kN]	[kN]	[kg]	[mm]
203-205/47	UC201	SPR1	SPR11	SPR12	SPR14	CO	CC	12,80	6,65	1,7	12
03-205/40	US201	SPR1	SPR11	SPR12	SPR14	CO	CC	9,55	4,78	1,6	
03-205/40	ES201	SPR1	SPR11	SPR12	SPR14	***	***	9,55	4,78	1,6	
03-205/47	EX201	SPR1	SPR11	SPR12	SPR14	***	***	12,80	6,65	1,8	
03-205/47	UC202	SPR1	SPR11	SPR12	SPR14	CO	CC	12,80	6,65	1,7	15
03-205/40	US202	SPR1	SPR11	SPR12	SPR14	CO	CC	9,55	4,78	1,6	
03-205/40	ES202	SPR1	SPR11	SPR12	SPR14	***	***	9,55	4,78	1,6	
03-205/47	EX202	SPR1	SPR11	SPR12	SPR14	***	***	12,80	6,65	1,8	
03-205/47	UC203	SPR1	SPR11	SPR12	SPR14	CO	CC	12,80	6,65	1,7	17
03-205/40	US203	SPR1	SPR11	SPR12	SPR14	CO	CC	9,55	4,78	1,6	
03-205/40	ES203	SPR1	SPR11	SPR12	SPR14	***	***	9,55	4,78	1,6	
03-205/47	EX203	SPR1	SPR11	SPR12	SPR14	***	***	12,80	6,65	1,8	
03-205/47	UC204	SPR1	SPR11	SPR12	SPR14	CO	CC	12,80	6,65	1,7	20
03-205/40	US204	SPR1	SPR11	SPR12	SPR14	CO	CC	12,80	6,65	1,6	
03-205/40	ES204	SPR1	SPR11	SPR12	SPR14	***	***	12,80	6,65	1,7	
03-205/47	EX204	SPR1	SPR11	SPR12	SPR14	***	***	12,80	6,65	1,7	
03-205/52	UK205 + H2305	SPR1	SPR11	SPR12	SPR14	CO	CC	14,00	7,88	1,7	
03-205/52	UC205	SPR1	SPR11	SPR12	SPR14	CO	CC	14,00	7,88	1,7	25
03-205/52	US205	SPR1	SPR11	SPR12	SPR14	CO	CC	14,00	7,88	1,7	
03-205/52	ES205	SPR1	SPR11	SPR12	SPR14	***	***	14,00	7,88	1,7	
03-205/52	EX205	SPR1	SPR11	SPR12	SPR14	***	***	14,00	7,88	1,8	
06-207/62	UK206 + H2306	SPR1	SPR11	SPR12	SPR14	CO	CC	19,50	11,20	2,0	
06-207/62	UC206	SPR1	SPR11	SPR12	SPR14	CO	CC	19,50	11,20	1,9	30
06-207/62	US206	SPR1	SPR11	SPR12	SPR14	CO	CC	19,50	11,20	1,9	
06-207/62	ES206	SPR1	SPR11	SPR12	SPR14	***	***	19,50	11,20	1,9	
06-207/62	EX206	SPR1	SPR11	SPR12	SPR14	***	***	19,50	11,20	2,0	
06-207/72	UK207 + H2307	SPR1	SPR11	SPR12	SPR14	CO	CC	25,70	15,20	2,1	
06-207/72	UC207	SPR1	SPR11	SPR12	SPR14	CO	CC	25,70	15,20	2,1	35
06-207/72	US207	SPR1	SPR11	SPR12	SPR14	CO	CC	25,70	15,20	2,0	
06-207/72	ES207	SPR1	SPR11	SPR12	SPR14	***	***	25,70	15,20	2,1	
06-207/72	EX207	SPR1	SPR11	SPR12	SPR14	***	***	25,70	15,20	2,2	
08-210/80	UK208 + H2308	SPR2	SPR21	SPR22	SPR24	CO	CC	29,60	18,20	4,3	
08-210/80	UC208	SPR2	SPR21	SPR22	SPR24	CO	CC	29,60	18,20	4,2	40
08-210/80	US208	SPR2	SPR21	SPR22	SPR24	CO	CC	29,60	18,20	4,2	
08-210/80	ES208	SPR2	SPR21	SPR22	SPR24	***	***	29,60	18,20	4,2	
08-210/80	EX208	SPR2	SPR21	SPR22	SPR24	***	***	29,60	18,20	4,3	
08-210/85	UK209 + H2309	SPR2	SPR21	SPR22	SPR24	CO	CC	31,85	20,80	4,3	

* = Equipped with two open protective caps for passing shafts: Suffix CO see example on page 6

** = Equipped with one open and one closed protective cap for shaft ends: Suffix CC see example on page 6

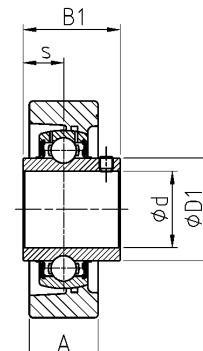
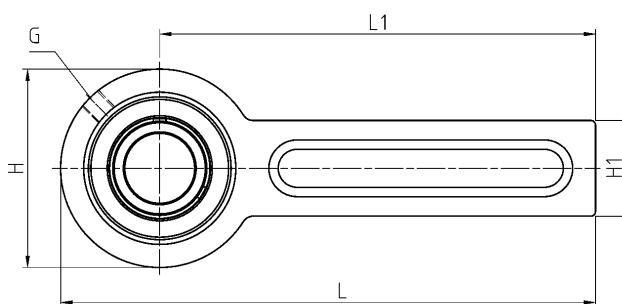
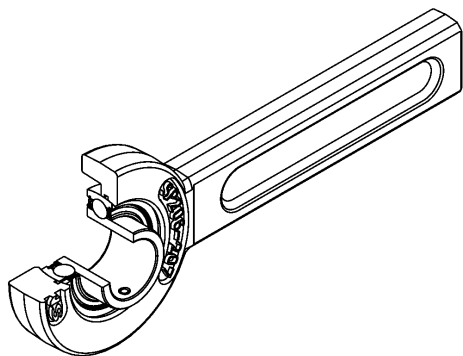
*** = Protective cap for bearing inserts with eccentric locking collar at request

**** = must be ordered separately



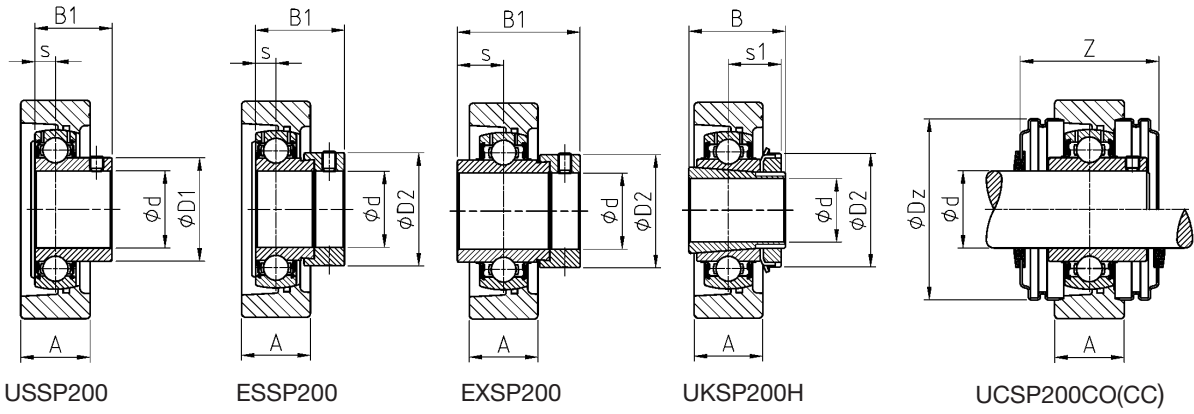
SNR Industry Conveyor belt tensioner unit

Housing SP200 relubricatable



UCSP200

Shaft diameter		Unit		Main dimensions [mm]												
d [mm]		L	H	L1	H1	A	s1	B	B1	s	D1	D2	G	Z	Dz	
45	UCSP209	320	120	260	61	31	-	-	49,2	19,0	57,2	-	R1/8"	75,6	100,0	
	USSP209	320	120	260	61	31	-	-	41,2	10,2	57,2	-	R1/8"	75,6	100,0	
	ESSP209	320	120	260	61	31	-	-	43,7	11,0	-	63,5	R1/8"	***	***	
	EXSP209	320	120	260	61	31	-	-	56,3	21,4	-	63,5	R1/8"	***	***	
	UKSP210H	320	120	260	61	31	27,5	55,0	-	-	-	70,0	R1/8"	75,6	100,0	
50	UCSP210	320	120	260	61	31	-	-	51,6	19,0	61,8	-	R1/8"	75,6	100,0	
	USSP210	320	120	260	61	31	-	-	43,5	10,9	61,8	-	R1/8"	75,6	100,0	
	ESSP210	320	120	260	61	31	-	-	43,7	11,0	-	69,9	R1/8"	***	***	
	EXSP210	320	120	260	61	31	-	-	62,7	24,6	-	69,9	R1/8"	***	***	



Housing
 Bearing insert
 Stretcher frame **** (page 136)
 Open protective caps *
 Closed protective caps **
 Dynamic load rating
 Static load rating
 Weight
 Shaft diameter

								C_r [kN]	C_{0r} [kN]	[kg]	d [mm]
08-210/85	UC209	SPR2	SPR21	SPR22	SPR24	CO	CC	31,85	20,80	4,2	45
08-210/85	US209	SPR2	SPR21	SPR22	SPR24	CO	CC	31,85	20,80	4,2	45
08-210/85	ES209	SPR2	SPR21	SPR22	SPR24	***	***	31,85	20,80	4,2	45
08-210/85	EX209	SPR2	SPR21	SPR22	SPR24	***	***	31,85	20,80	4,4	45
08-210/90	UK210 + H2310	SPR2	SPR21	SPR22	SPR24	CO	CC	35,10	23,20	4,4	50
08-210/90	UC210	SPR2	SPR21	SPR22	SPR24	CO	CC	35,10	23,20	4,2	50
08-210/90	US210	SPR2	SPR21	SPR22	SPR24	CO	CC	35,10	23,20	4,2	50
08-210/90	ES210	SPR2	SPR21	SPR22	SPR24	***	***	35,10	23,20	4,2	50
08-210/90	EX210	SPR2	SPR21	SPR22	SPR24	***	***	35,10	23,20	4,4	50

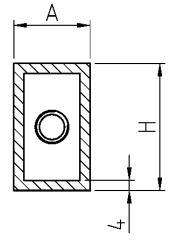
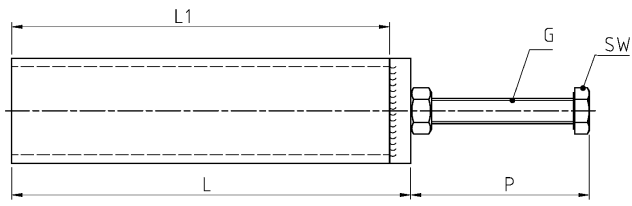
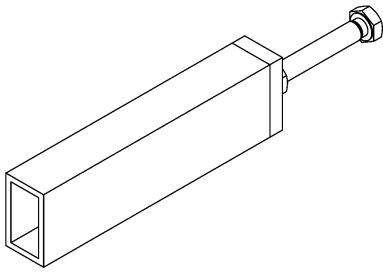
* = Equipped with two open protective caps for passing shafts: Suffix CO see example on page 6

** = Equipped with one open and one closed protective cap for shaft ends: Suffix CC see example on page 6

*** = Protective cap for bearing inserts with eccentric locking collar at request

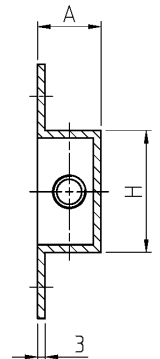
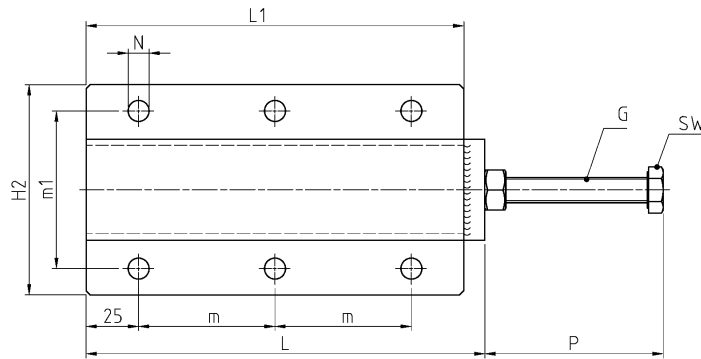
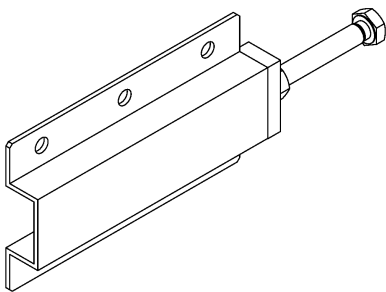
**** = must be ordered separately

Housing SPR

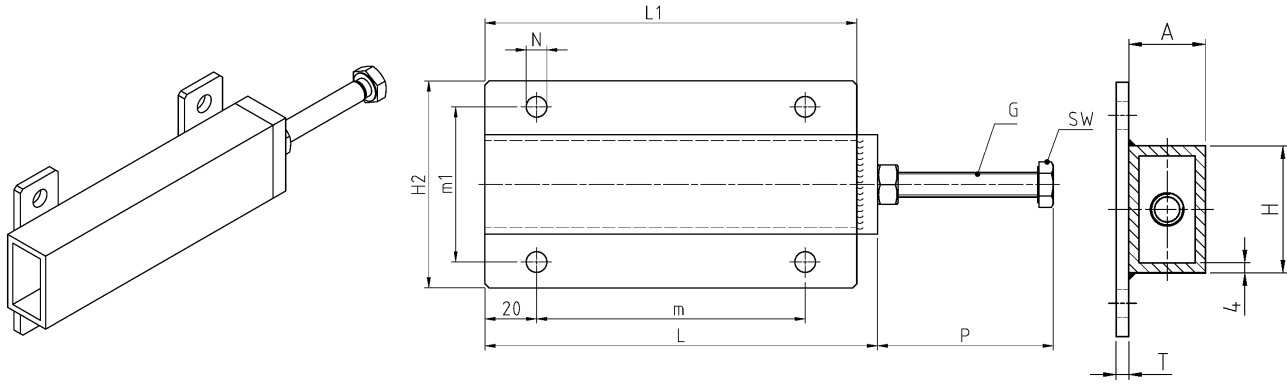


SPR1+2

d	Shaft diameter	Designation	for housing	Main dimensions [mm]					
				L	L1	H	H2	m	m1
	SPR1	SP203-207		190	180	50	-	-	-
	SPR2	SP208-210		225	210	70	-	-	-
	SPR11	SP203-207		190	180	50	100	130	80
	SPR21	SP208-210		225	210	70	140	160	100
	SPR12	SP203-207		190	180	48	100	65	75
	SPR22	SP208-210		225	210	68	130	80	100
	SPR14	SP203-207		190	180	48	103	140	80
	SPR24	SP208-210		235	220	68	130	180	100

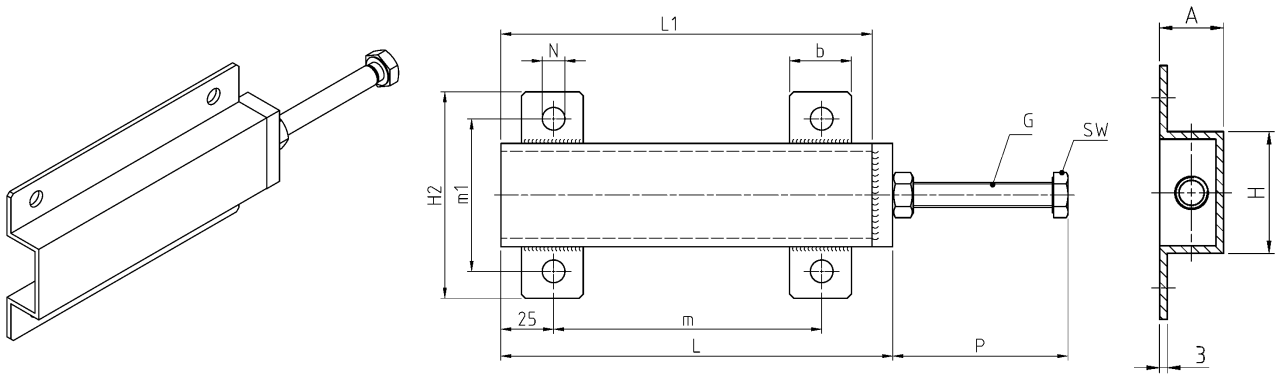


SPR12+22



SPR11+21

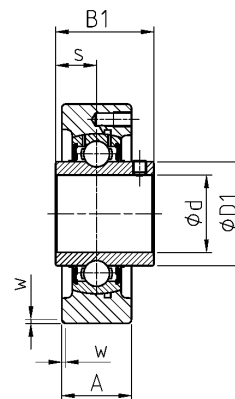
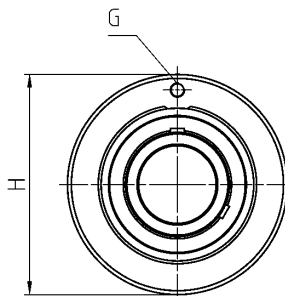
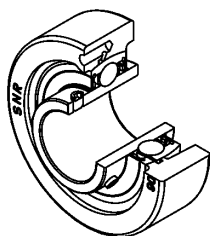
A	b	T	P _{max}	G	N	WA
30	-	-	85	M12x90	-	18
40	-	-	105	M16x110	-	24
30	30	5	85	M12x90	11,0	18
40	40	6	105	M16x110	14,0	24
25	-	-	85	M12x90	10,0	18
35	-	-	105	M16x110	12,0	24
25	-	-	97	M12x100	11,5	18
35	-	-	111	M16x120	14,0	24



SPR14+24

Housing

C200 relubricatable
C300 relubricatable

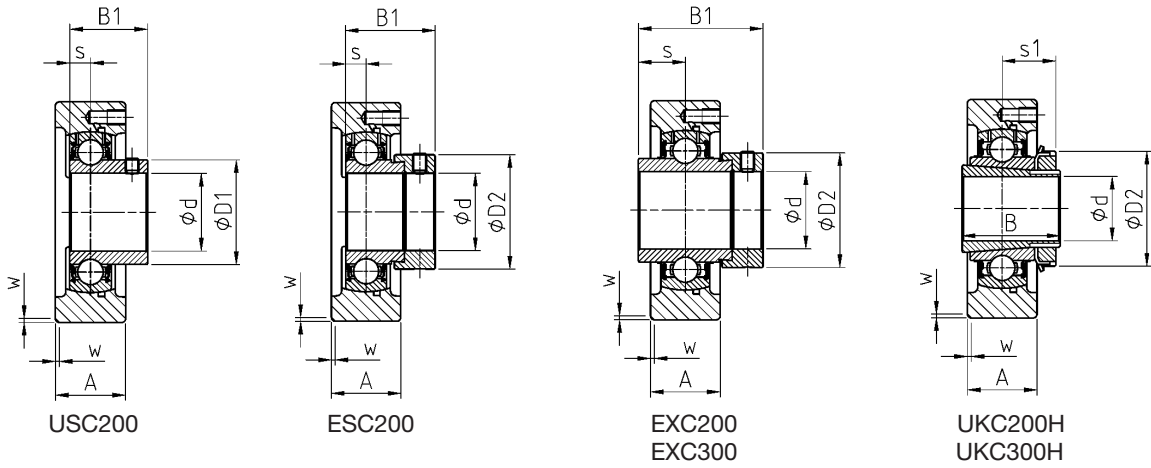


UCC200
UCC300

Shaft diameter
Unit

Main dimensions [mm]

d [mm]	Unit	H h7	A	w	s1	B	B1	s
12	UCC201	72	20	1,5	-	-	31,0	12,7
	USC201	67	20	1,5	-	-	22,0	6,0
	ESC201	67	20	1,5	-	-	28,6	6,5
	EXC201	72	20	1,5	-	-	43,5	17,0
15	UCC202	72	20	1,5	-	-	31,0	12,7
	USC202	67	20	1,5	-	-	22,0	6,0
	ESC202	67	20	1,5	-	-	28,6	6,5
	EXC202	72	20	1,5	-	-	43,5	17,0
17	UCC203	72	20	1,5	-	-	31,0	12,7
	USC203	67	20	1,5	-	-	22,0	6,0
	ESC203	67	20	1,5	-	-	28,6	6,5
	EXC203	72	20	1,5	-	-	43,5	17,0
20	UCC204	72	20	1,5	-	-	31,0	12,7
	USC204	72	20	1,5	-	-	25,0	7,0
	ESC204	72	20	1,5	-	-	30,9	7,5
	EXC204	72	20	1,5	-	-	43,5	17,0
	UKC205H	80	22	1,5	18,5	35,0	-	-
	UKC305H	90	26	2,5	21,5	35,0	-	-
25	UCC205	80	22	1,5	-	-	34,0	14,3
	USC205	80	22	1,5	-	-	27,0	7,5
	ESC205	80	22	1,5	-	-	30,9	7,5
	EXC205	80	22	1,5	-	-	44,3	17,4
	UKC206H	85	27	1,5	20,5	38,0	-	-
	UCC305	90	26	2,5	-	-	38,0	15,0
	EXC305	90	26	2,5	-	-	46,8	16,7
	UKC306H	100	28	2,5	23,0	38,0	-	-
30	UCC206	85	27	1,5	-	-	38,1	15,9
	USC206	85	27	1,5	-	-	30,0	8,0
	ESC206	85	27	1,5	-	-	35,7	9,0
	EXC206	85	27	1,5	-	-	48,3	18,2
	UKC207H	90	28	2,0	22,5	43,0	-	-
	UCC306	100	28	2,5	-	-	43,0	17,0
	EXC306	100	28	2,5	-	-	50,0	17,5
	UKC307H	110	32	3,0	25,5	43,0	-	-



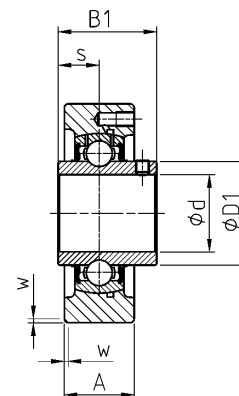
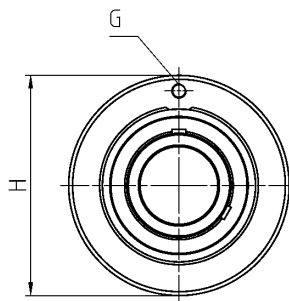
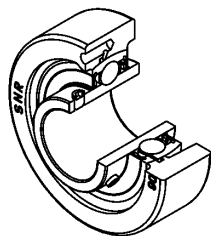
Housing *Bearing insert* *Dynamic load rating* *Static load rating* *Weight* *Shaft diameter*

D1	D2	G			C _r [kN]	C _{0r} [kN]	Weight [kg]	d [mm]
29,0	-	M6x1	C204	UC201	12,80	6,65	0,5	12
24,6	-	M6x1	C203	US201	9,55	4,78	0,4	
-	28,6	M6x1	C203	ES201	9,55	4,78	0,4	
-	33,3	M6x1	C204	EX201	12,80	6,65	0,6	
29,0	-	M6x1	C204	UC202	12,80	6,65	0,5	15
24,6	-	M6x1	C203	US202	9,55	4,78	0,4	
-	28,6	M6x1	C203	ES202	9,55	4,78	0,4	
-	33,3	M6x1	C204	EX202	12,80	6,65	0,6	
29,0	-	M6x1	C204	UC203	12,80	6,65	0,5	17
24,6	-	M6x1	C203	US203	9,55	4,78	0,4	
-	28,6	M6x1	C203	ES203	9,55	4,78	0,4	
-	33,3	M6x1	C204	EX203	12,80	6,65	0,6	
29,0	-	M6x1	C204	UC204	12,80	6,65	0,5	20
29,0	-	M6x1	C204	US204	12,80	6,65	0,5	
-	33,3	M6x1	C204	ES204	12,80	6,65	0,5	
-	33,3	M6x1	C204	EX204	12,80	6,65	0,5	
-	38,0	M6x1	C205	UK205 + H2305	14,00	7,88	0,7	
35,4	38,0	M6x1	C305	UK305 + H2305	22,36	11,50	1,5	
34,0	-	M6x1	C205	UC205	14,00	7,88	0,7	25
34,0	-	M6x1	C205	US205	14,00	7,88	0,7	
-	38,1	M6x1	C205	ES205	14,00	7,88	0,7	
-	38,1	M6x1	C205	EX205	14,00	7,88	0,7	
-	45,0	M6x1	C206	UK206 + H2306	19,50	11,20	1,0	
35,4	-	M6x1	C305	UC305	22,36	11,50	1,4	
-	42,8	M6x1	C305	EX305	22,36	11,50	1,4	
-	45,0	M6x1	C306	UK306 + H2306	27,00	15,20	1,7	
40,3	-	M6x1	C206	UC206	19,50	11,20	1,0	30
40,3	-	M6x1	C206	US206	19,50	11,20	0,9	
-	44,5	M6x1	C206	ES206	19,50	11,20	1,0	
-	44,5	M6x1	C206	EX206	19,50	11,20	1,1	
-	52,0	M6x1	C207	UK207 + H2307	25,70	15,20	1,1	
44,6	-	M6x1	C306	UC306	27,00	15,20	1,7	
-	50,0	M6x1	C306	EX306	27,00	15,20	1,8	
-	52,0	M6x1	C307	UK307 + H2307	33,50	19,20	1,9	



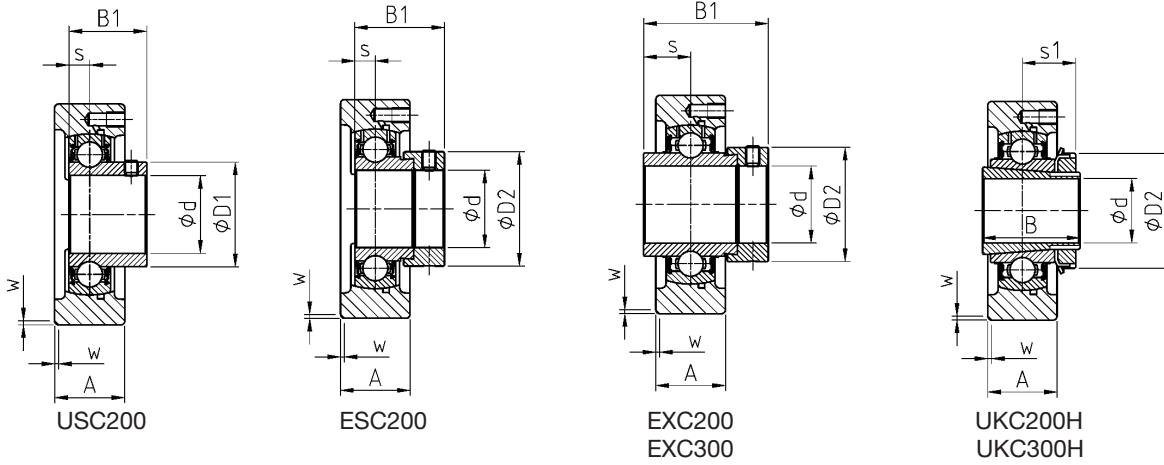
Housing

C200 relubricatable
C300 relubricatable



UCC200
UCC300

Shaft diameter		Unit							Main dimensions [mm]				
d [mm]		H h7	A	w	s1	B	B1	s					
35	UCC207	90	28	2,0	-	-	42,9	17,5					
	USC207	90	28	2,0	-	-	32,0	8,5					
	ESC207	90	28	2,0	-	-	38,9	9,5					
	EXC207	90	28	2,0	-	-	51,1	18,8					
	UKC208H	100	30	2,0	24,5	46,0	-	-					
	UCC307	110	32	3,0	-	-	48,0	19,0					
	EXC307	110	32	3,0	-	-	51,6	18,3					
	UKC308H	120	34	3,0	27,5	46,0	-	-					
40	UCC208	100	30	2,0	-	-	49,2	19,0					
	USC208	100	30	2,0	-	-	34,0	9,0					
	ESC208	100	30	2,0	-	-	43,7	11,0					
	EXC208	100	30	2,0	-	-	56,3	21,4					
	UKC209H	110	31	2,0	26,0	50,0	-	-					
	UCC308	120	34	3,0	-	-	52,0	19,0					
	EXC308	120	34	3,0	-	-	57,1	19,8					
	UKC309H	130	38	3,5	30,0	50,0	-	-					
45	UCC209	110	31	2,0	-	-	49,2	19,0					
	USC209	110	31	2,0	-	-	41,2	10,2					
	ESC209	110	31	2,0	-	-	43,7	11,0					
	EXC209	110	31	2,0	-	-	56,3	21,4					
	UKC210H	120	33	2,0	27,5	55,0	-	-					
	UCC309	130	38	3,5	-	-	57,0	22,0					
	EXC309	130	38	3,5	-	-	58,7	19,8					
	UKC310H	140	40	3,5	32,0	55,0	-	-					
50	UCC210	120	33	2,0	-	-	51,6	19,0					
	USC210	120	33	2,0	-	-	43,5	10,9					
	ESC210	120	33	2,0	-	-	43,7	11,0					
	EXC210	120	33	2,0	-	-	62,7	24,6					
	UKC211H	125	35	2,5	29,0	59,0	-	-					
	UCC310	140	40	3,5	-	-	61,0	22,0					
	EXC310	140	40	3,5	-	-	66,6	24,6					
	UKC311H	150	44	3,5	34,0	59,0	-	-					



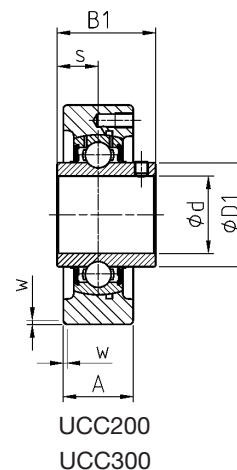
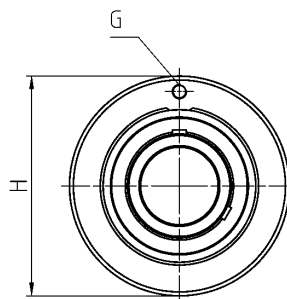
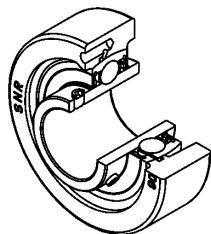
Housing *Bearing insert* *Dynamic load rating* *Static load rating* *Weight* *Shaft diameter*

D1	D2	G			C _r [kN]	C _{0r} [kN]	Weight [kg]	d [mm]
48,0	-	M6x1	C207	UC207	25,70	15,20	1,1	35
48,0	-	M6x1	C207	US207	25,70	15,20	1,0	
-	55,6	M6x1	C207	ES207	25,70	15,20	1,1	
-	55,6	M6x1	C207	EX207	25,70	15,20	1,2	
-	58,0	M6x1	C208	UK208 + H2308	29,60	18,20	1,4	
48,9	-	M6x1	C307	UC307	33,50	19,20	1,7	
-	55,0	M6x1	C307	EX307	33,50	19,20	1,8	
-	58,0	M6x1	C308	UK308 + H2308	40,56	24,00	2,1	
53,0	-	M6x1	C208	UC208	29,60	18,20	1,3	40
53,0	-	M6x1	C208	US208	29,60	18,20	1,3	
-	60,3	M6x1	C208	ES208	29,60	18,20	1,4	
-	60,3	M6x1	C208	EX208	29,60	18,20	1,5	
-	65,0	M6x1	C209	UK209 + H2309	31,85	20,80	1,6	
56,5	-	M6x1	C308	UC308	40,56	24,00	2,1	
-	63,5	M6x1	C308	EX308	40,56	24,00	2,2	
-	65,0	M6x1	C309	UK309 + H2309	53,00	31,80	3,1	
57,2	-	M6x1	C209	UC209	31,85	20,80	1,5	45
57,2	-	M6x1	C209	US209	31,85	20,80	1,5	
-	63,5	M6x1	C209	ES209	31,85	20,80	1,5	
-	63,5	M6x1	C209	EX209	31,85	20,80	1,7	
-	70,0	M6x1	C210	UK210 + H2310	35,10	23,20	2,1	
61,8	-	M6x1	C309	UC309	53,00	31,80	2,9	
-	70,0	M6x1	C309	EX309	53,00	31,80	3,1	
-	70,0	M6x1	C310	UK310 + H2310	62,00	37,80	3,3	
61,8	-	M6x1	C210	UC210	35,10	23,20	1,9	50
61,8	-	M6x1	C210	US210	35,10	23,20	1,9	
-	69,9	M6x1	C210	ES210	35,10	23,20	1,9	
-	69,9	M6x1	C210	EX210	35,10	23,20	2,1	
-	75,0	M6x1	C211	UK211 + H2311	43,55	29,20	2,3	
68,7	-	M6x1	C310	UC310	62,00	37,80	3,3	
-	76,2	M6x1	C310	EX310	62,00	37,80	3,5	
-	75,0	M6x1	C311	UK311 + H2311	71,50	44,80	4,2	

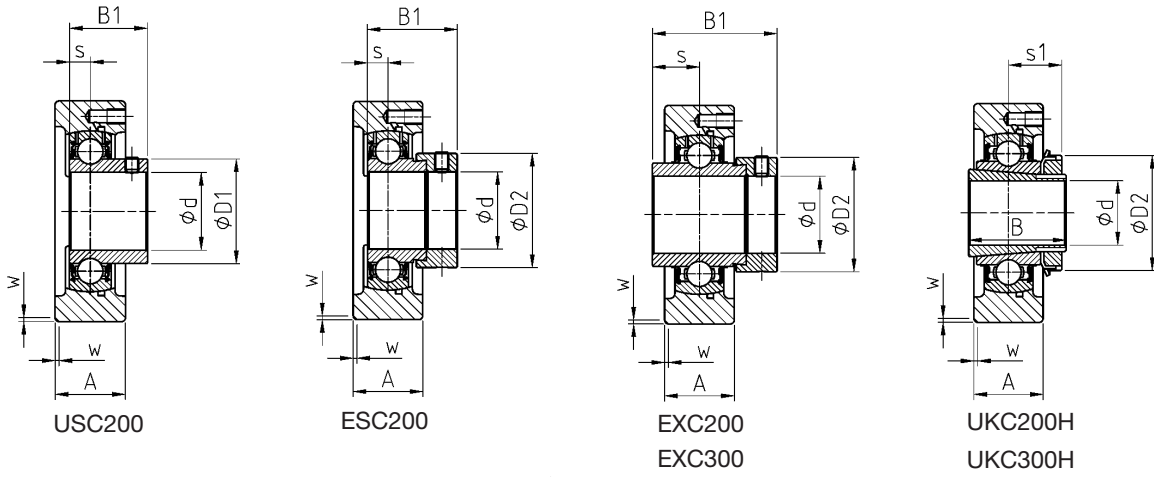


Housing

C200 relubricatable
C300 relubricatable



Shaft diameter		Unit							Main dimensions [mm]			
d [mm]		H h7	A	w	s1	B	B1	s				
55	UCC211	125	35	2,5	-	-	55,6	22,2				
	USC211	125	35	2,5	-	-	45,3	11,8				
	ESC211	125	35	2,5	-	-	48,4	12,0				
	EXC211	125	35	2,5	-	-	71,3	27,7				
	UKC212H	130	38	2,5	31,0	62,0	-	-				
	UCC311	150	44	3,5	-	-	66,0	25,0				
	EXC311	150	44	3,5	-	-	73,0	27,8				
	UKC312H	160	46	3,5	36,5	62,0	-	-				
60	UCC212	130	38	2,5	-	-	65,1	25,4				
	USC212	130	38	2,5	-	-	53,7	14,9				
	ESC212	130	38	2,5	-	-	49,3	12,0				
	EXC212	130	38	2,5	-	-	77,7	30,9				
	UKC213H	140	40	2,5	32,0	65,0	-	-				
	UCC312	160	46	3,5	-	-	71,0	26,0				
	EXC312	160	46	3,5	-	-	79,4	31,0				
	UKC313H	170	50	3,5	38,5	65,0	-	-				
65	UCC213	140	40	2,5	-	-	65,1	25,4				
	EXC213	140	40	2,5	-	-	85,7	34,1				
	UKC215H	160	44	2,0	35,5	73,0	-	-				
	UCC313	170	50	3,5	-	-	75,0	30,0				
	EXC313	170	50	3,5	-	-	85,7	32,5				
	UKC315H	190	55	4,0	42,5	73,0	-	-				
70	UCC214	150	44	2,0	-	-	74,6	30,2				
	EXC214	150	44	2,0	-	-	85,7	34,1				
	UKC216H	170	48	2,0	39,0	78,0	-	-				
	UCC314	180	52	4,0	-	-	78,0	33,0				
	EXC314	180	52	4,0	-	-	92,1	34,2				
	UKC316H	200	60	4,0	44,5	78,0	-	-				
75	UCC215	160	44	2,0	-	-	77,8	33,3				
	EXC215	160	44	2,0	-	-	92,1	37,3				
	UCC315	190	55	4,0	-	-	82,0	32,0				
	EXC315	190	55	4,0	-	-	100,0	37,3				
	UKC317H	215	64	4,0	48,0	82,0	-	-				

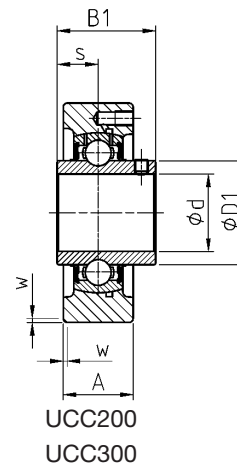
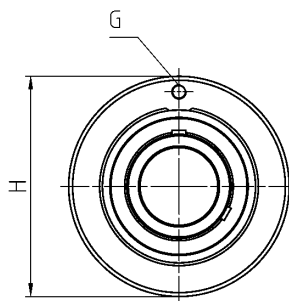
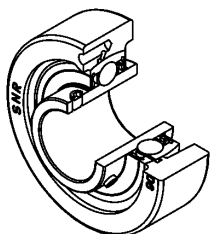


Housing *Bearing insert* *Dynamic load rating* *Static load rating* *Weight* *Shaft diameter*

D1	D2	G			C _r [kN]	C _{0r} [kN]	[kg]	d [mm]
69,0	-	M6x1	C211	UC211	43,55	29,20	2,3	55
69,0	-	M6x1	C211	US211	43,55	29,20	2,2	
-	76,2	M6x1	C211	ES211	43,55	29,20	2,0	
-	76,2	M6x1	C211	EX211	43,55	29,20	2,5	
-	80,0	M6x1	C212	UK212 + H2312	52,50	32,80	2,7	
74,9	-	M6x1	C311	UC311	71,50	44,80	3,9	60
-	83,0	M6x1	C311	EX311	71,50	44,80	4,3	
-	80,0	M6x1	C312	UK312 + H2312	81,60	51,80	4,6	
74,9	-	M6x1	C212	UC212	52,50	32,80	2,7	
74,9	-	M6x1	C212	US212	52,50	32,80	2,5	
-	84,2	M6x1	C212	ES212	52,50	32,80	2,4	
-	84,2	M6x1	C212	EX212	52,50	32,80	3,1	
-	85,0	M6x1	C213	UK213 + H2313	57,20	40,00	3,2	
81,0	-	M6x1	C312	UC312	81,60	51,80	4,7	65
-	89,0	M6x1	C312	EX312	81,60	51,80	5,0	
-	85,0	M6x1	C313	UK313 + H2313	93,86	60,50	5,7	
82,0	-	M6x1	C213	UC213	57,20	40,00	3,2	
-	86,0	M6x1	C213	EX213	57,20	40,00	3,7	
-	98,0	M6x1	C215	UK215 + H2315	66,00	49,50	4,0	
87,5	-	M6x1	C313	UC313	93,86	60,50	5,7	70
-	97,0	M6x1	C313	EX313	93,86	60,50	6,1	
-	98,0	M10x1	C315	UK315 + H2315	113,36	76,80	9,0	
86,5	-	M6x1	C214	UC214	62,00	45,00	5,3	
-	96,8	M6x1	C214	EX214	62,00	45,00	5,8	
-	105,0	M6x1	C216	UK216 + H2316	72,50	54,20	6,8	
94,0	-	M10x1	C314	UC314	104,26	68,00	8,0	75
-	102,0	M10x1	C314	EX314	104,26	68,00	8,5	
-	105,0	M10x1	C316	UK316 + H2316	122,85	86,50	9,8	
91,5	-	M6x1	C215	UC215	66,00	49,50	5,6	
-	102,0	M6x1	C215	EX215	66,00	49,50	6,2	
100,5	-	M10x1	C315	UC315	113,36	76,80	8,3	75
-	113,0	M10x1	C315	EX315	113,36	76,80	9,3	
-	110,0	M10x1	C317	UK317 + H2317	132,60	96,50	11,4	

Housing

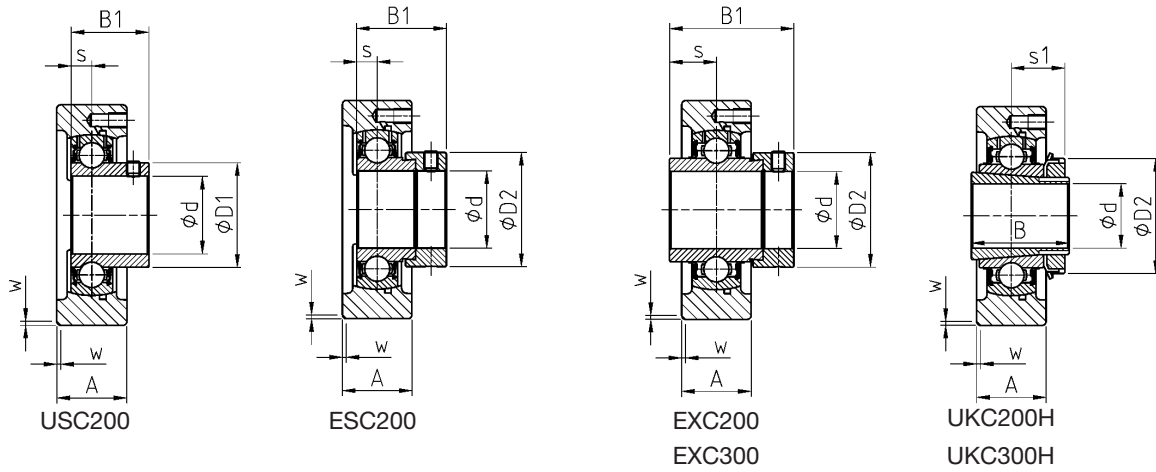
C200 relubricatable
C300 relubricatable



Shaft diameter
Unit

Main dimensions [mm]

d [mm]	Unit	H h7	A	w	s1	B	B1	s
80	UCC216	170	48	2,0	-	-	82,6	33,3
	EXC216	170	48	2,0	-	-	95,2	37,3
	UCC316	200	60	4,0	-	-	86,0	34,0
	EXC316	200	60	4,0	-	-	106,4	40,5
	UKC318H	225	66	4,0	48,0	86,0	-	-
85	UCC317	215	64	4,0	-	-	96,0	40,0
	EXC317	215	64	4,0	-	-	109,5	42,0
	UKC319H	240	72	4,0	52,0	90,0	-	-
90	UCC318	225	66	4,0	-	-	96,0	40,0
	EXC318	225	66	4,0	-	-	115,9	43,6
	UKC320H	260	75	4,0	54,0	97,0	-	-
95	UCC319	240	72	4,0	-	-	103,0	41,0
	EXC319	240	72	4,0	-	-	122,3	46,8
100	UCC320	260	75	4,0	-	-	108,0	42,0
	EXC320	260	75	4,0	-	-	128,6	50,0
	UKC322H	300	80	5,0	61,0	105,0	-	-
105	UCC321	260	75	4,0	-	-	112,0	44,0
110	UCC322	300	80	5,0	-	-	117,0	46,0
	UKC324H	320	90	5,0	65,0	112,0	-	-
115	UKC326H	340	100	5,0	69,0	121,0	-	-
120	UCC324	320	90	5,0	-	-	126,0	51,0
125	UKC328H	360	100	5,0	73,0	131,0	-	-
130	UCC326	340	100	5,0	-	-	135,0	54,0
140	UCC328	360	100	5,0	-	-	145,0	59,0



Housing

Bearing insert

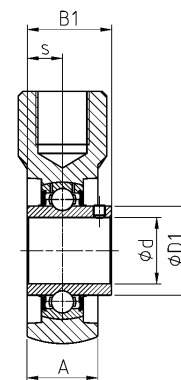
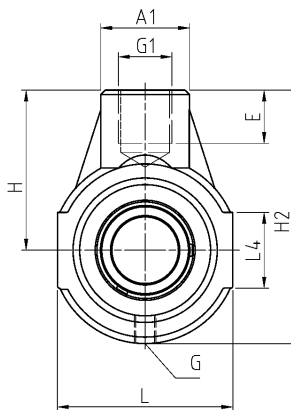
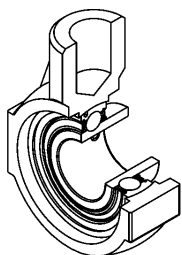
Dynamic load rating

Static load rating

Weight

Shaft diameter

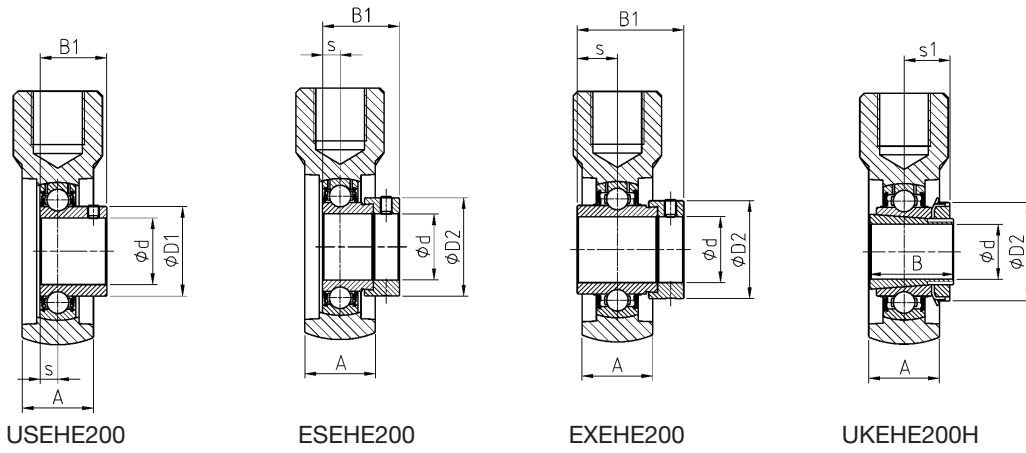
D1	D2	G			C _r [kN]	C _{0r} [kN]	[kg]	d [mm]
98,0	-	M6x1	C216	UC216	72,50	54,20	6,4	80
-	110,0	M6x1	C216	EX216	72,50	54,20	6,7	
107,9	-	M10x1	C316	UC316	122,85	86,50	9,6	85
-	119,0	M10x1	C316	EX316	122,85	86,50	10,7	
-	120,0	M10x1	C318	UK318 + H2318	143,00	108,00	12,9	90
114,0	-	M10x1	C317	UC317	132,60	96,50	11,3	
-	127,0	M10x1	C317	EX317	132,60	96,50	12,5	95
-	125,0	M10x1	C319	UK319 + H2319	156,00	122,00	16,2	
120,0	-	M10x1	C318	UC318	143,00	108,00	12,9	100
-	133,0	M10x1	C318	EX318	143,00	108,00	14,1	
-	130,0	M10x1	C320	UK320 + H2320	171,60	140,00	19,0	105
126,5	-	M10x1	C319	UC319	156,00	122,00	15,9	
-	140,0	M10x1	C319	EX319	156,00	122,00	17,4	110
134,5	-	M10x1	C320	UC320	171,60	140,00	19,2	
-	146,0	M10x1	C320	EX320	171,60	140,00	21,0	115
-	145,0	M10x1	C322	UK322 + H2322	205,00	178,00	31,6	
140,5	-	M10x1	C321	UC321	182,00	155,00	20,2	120
149,0	-	M10x1	C322	UC322	205,00	178,00	28,3	
-	155,0	M10x1	C324	UK324 + H2324	228,00	208,00	36,2	125
-	165,0	M10x1	C326	UK326 + H2326	252,00	242,00	43,9	
163,0	-	M10x1	C324	UC324	228,00	208,00	33,5	130
-	180,0	M10x1	C328	UK328 + H2328	275,00	272,00	51,5	
177,0	-	M10x1	C326	UC326	252,00	242,00	39,0	140
190,0	-	M10x1	C328	UC328	275,00	272,00	45,5	

Housing EHE200 relubricatable

UCEHE200

Shaft diameter
Unit

Main dimensions [mm]

d [mm]		H	L -0,5	H2	A	A1	L4	E	G1	s1	B	B1	s
12	UCEHE201	58	65	91	25	30	38	21	M16	-	-	31,0	12,7
	USEHE201	58	65	91	25	30	38	21	M16	-	-	22,0	6,0
	ESEHE201	58	65	91	25	30	38	21	M16	-	-	28,6	6,5
	EXEHE201	58	65	91	25	30	38	21	M16	-	-	43,5	17,0
15	UCEHE202	58	65	91	25	30	38	21	M16	-	-	31,0	12,7
	USEHE202	58	65	91	25	30	38	21	M16	-	-	22,0	6,0
	ESEHE202	58	65	91	25	30	38	21	M16	-	-	28,6	6,5
	EXEHE202	58	65	91	25	30	38	21	M16	-	-	43,5	17,0
17	UCEHE203	58	65	91	25	30	38	21	M16	-	-	31,0	12,7
	USEHE203	58	65	91	25	30	38	21	M16	-	-	22,0	6,0
	ESEHE203	58	65	91	25	30	38	21	M16	-	-	28,6	6,5
	EXEHE203	58	65	91	25	30	38	21	M16	-	-	43,5	17,0
20	UCEHE204	58	65	91	25	30	38	21	M16	-	-	31,0	12,7
	USEHE204	58	65	91	25	30	38	21	M16	-	-	25,0	7,0
	ESEHE204	58	65	91	25	30	38	21	M16	-	-	30,9	7,5
	EXEHE204	58	65	91	25	30	38	21	M16	-	-	43,5	17,0
	UKEHE205H	64	70	99	28	35	38	22	M20	18,5	35,0	-	-
25	UCEHE205	64	70	99	28	35	38	22	M20	-	-	34,0	14,3
	USEHE205	64	70	99	28	35	38	22	M20	-	-	27,0	7,5
	ESEHE205	64	70	99	28	35	38	22	M20	-	-	30,9	7,5
	EXEHE205	64	70	99	28	35	38	22	M20	-	-	44,3	17,4
	UKEHE206H	72	85	114	32	40	40	24	M24	20,5	38,0	-	-
30	UCEHE206	72	85	114	32	40	40	24	M24	-	-	38,1	15,9
	USEHE206	72	85	114	32	40	40	24	M24	-	-	30,0	8,0
	ESEHE206	72	85	114	32	40	40	24	M24	-	-	35,7	9,0
	EXEHE206	72	85	114	32	40	40	24	M24	-	-	48,3	18,2
	UKEHE207H	76	90	122	32	40	40	24	M24	22,5	43,0	-	-
35	UCEHE207	76	90	122	32	40	40	24	M24	-	-	42,9	17,5
	USEHE207	76	90	122	32	40	40	24	M24	-	-	32,0	8,5
	ESEHE207	76	90	122	32	40	40	24	M24	-	-	38,9	9,5
	EXEHE207	76	90	122	32	40	40	24	M24	-	-	51,1	18,8
	UKEHE208H	85	100	135	36	40	45	24	M24	24,5	46,0	-	-
40	UCEHE208	85	100	135	36	40	45	24	M24	-	-	49,2	19,0
	USEHE208	85	100	135	36	40	45	24	M24	-	-	34,0	9,0
	ESEHE208	85	100	135	36	40	45	24	M24	-	-	43,7	11,0
	EXEHE208	85	100	135	36	40	45	24	M24	-	-	56,3	21,4
	UKEHE209H	90	110	145	40	40	45	24	M24	26,0	50,0	-	-



USEHE200

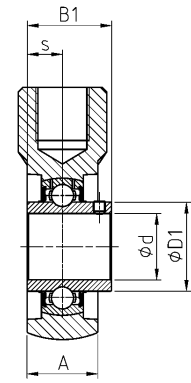
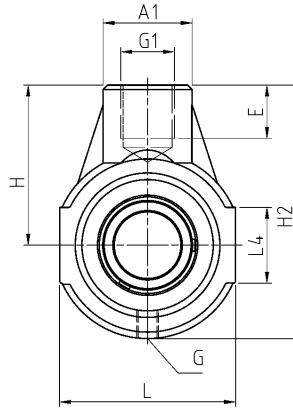
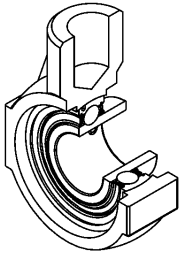
ESEHE200

EXEHE200

UKEHE200H

			Housing	Bearing insert	Dynamic load rating	Static load rating	Weight	Shaft diameter
D1	D2	G			C_r [kN]	C_{or} [kN]	[kg]	d [mm]
29,0	-	R1/8"	EHE204	UC201	12,80	6,65	0,8	12
24,6	-	M6x1	EHE203	US201	9,55	4,78	0,4	12
-	28,6	M6x1	EHE203	ES201	9,55	4,78	0,5	
-	33,3	R1/8"	EHE204	EX201	12,80	6,65	0,8	
29,0	-	R1/8"	EHE204	UC202	12,80	6,65	0,8	
24,6	-	M6x1	EHE203	US202	9,55	4,78	0,4	15
-	28,6	M6x1	EHE203	ES202	9,55	4,78	0,5	
-	33,3	R1/8"	EHE204	EX202	12,80	6,65	0,8	
29,0	-	R1/8"	EHE204	UC203	12,80	6,65	0,5	
24,6	-	M6x1	EHE203	US203	9,55	4,78	0,5	17
-	28,6	M6x1	EHE203	ES203	9,55	4,78	0,5	
-	33,3	R1/8"	EHE204	EX203	12,80	6,65	0,8	
29,0	-	R1/8"	EHE204	UC204	12,80	6,65	0,7	
29,0	-	R1/8"	EHE204	US204	12,80	6,65	0,7	20
-	33,3	R1/8"	EHE204	ES204	12,80	6,65	0,7	
-	33,3	R1/8"	EHE204	EX204	12,80	6,65	0,8	
-	38,0	R1/8"	EHE205	UK205 + H2305	14,00	7,88	1,2	
34,0	-	R1/8"	EHE205	UC205	14,00	7,88	1,2	
34,0	-	R1/8"	EHE205	US205	14,00	7,88	1,1	25
-	38,1	R1/8"	EHE205	ES205	14,00	7,88	1,1	
-	38,1	R1/8"	EHE205	EX205	14,00	7,88	1,2	
-	45,0	R1/8"	EHE206	UK206 + H2306	19,50	11,20	1,4	
40,3	-	R1/8"	EHE206	UC206	19,50	11,20	1,3	
40,3	-	R1/8"	EHE206	US206	19,50	11,20	1,3	30
-	44,5	R1/8"	EHE206	ES206	19,50	11,20	1,3	
-	44,5	R1/8"	EHE206	EX206	19,50	11,20	1,4	
-	52,0	R1/8"	EHE207	UK207 + H2307	25,70	15,20	1,6	
48,0	-	R1/8"	EHE207	UC207	25,70	15,20	1,6	
48,0	-	R1/8"	EHE207	US207	25,70	15,20	1,5	35
-	55,6	R1/8"	EHE207	ES207	25,70	15,20	1,6	
-	55,6	R1/8"	EHE207	EX207	25,70	15,20	1,7	
-	58,0	R1/8"	EHE208	UK208 + H2308	29,60	18,20	1,9	
53,0	-	R1/8"	EHE208	UC208	29,60	18,20	1,8	
53,0	-	R1/8"	EHE208	US208	29,60	18,20	1,8	40
-	60,3	R1/8"	EHE208	ES208	29,60	18,20	1,9	
-	60,3	R1/8"	EHE208	EX208	29,60	18,20	2,0	
-	65,0	R1/8"	EHE209	UK209 + H2309	31,85	20,80	2,0	

Housing EHE200 relubricatable

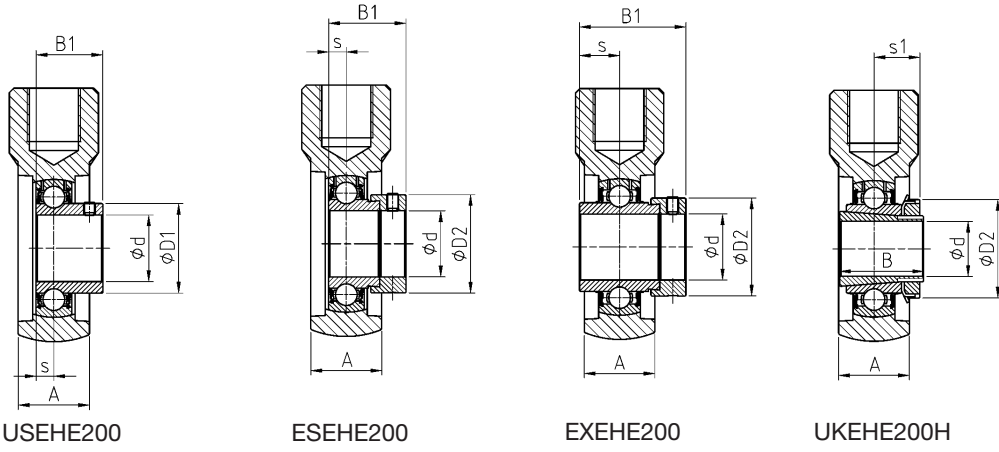


UCEHE200

Shaft diameter
Unit

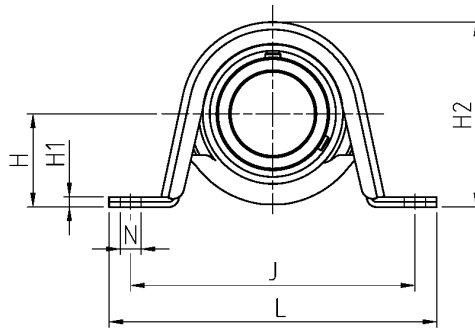
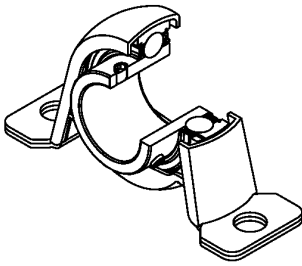
Main dimensions [mm]

d [mm]	Unit	H	L -0,5	H2	A	A1	L4	E	G1	s1	B	B1	s
45	UCEHE209	90	110	145	40	40	45	24	M24	-	-	49,2	19,0
	USEHE209	90	110	145	40	40	45	24	M24	-	-	41,2	10,2
	ESEHE209	90	110	145	40	40	45	24	M24	-	-	43,7	11,0
	EXEHE209	90	110	145	40	40	45	24	M24	-	-	56,3	21,4
	UKEHE210H	90	110	145	40	40	46	24	M24	27,5	55,0	-	-
50	UCEHE210	90	110	145	40	40	46	24	M24	-	-	51,6	19,0
	USEHE210	90	110	145	40	40	46	24	M24	-	-	43,5	10,9
	ESEHE210	90	110	145	40	40	46	24	M24	-	-	43,7	11,0
	EXEHE210	90	110	145	40	40	46	24	M24	-	-	62,7	24,6

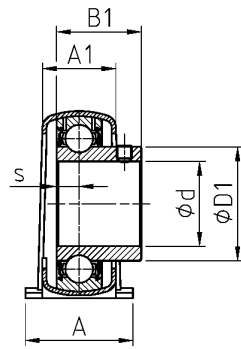


D1	D2	G	Housing	Bearing insert	Dynamic load rating	Static load rating	Weight	Shaft diameter
D1	D2	G			C_r [kN]	C_{Or} [kN]	[kg]	d [mm]
57,2	-	R1/8"	EHE209	UC209	31,85	20,80	1,9	45
57,2	-	R1/8"	EHE209	US209	31,85	20,80	1,9	
-	63,5	R1/8"	EHE209	ES209	31,85	20,80	1,9	
-	63,5	R1/8"	EHE209	EX209	31,85	20,80	2,1	
-	70,0	R1/8"	EHE210	UK210 + H2310	35,10	23,20	2,2	
61,8	-	R1/8"	EHE210	UC210	35,10	23,20	2,0	50
61,8	-	R1/8"	EHE210	US210	35,10	23,20	2,0	
-	69,9	R1/8"	EHE210	ES210	35,10	23,20	2,0	
-	69,9	R1/8"	EHE210	EX210	35,10	23,20	2,2	

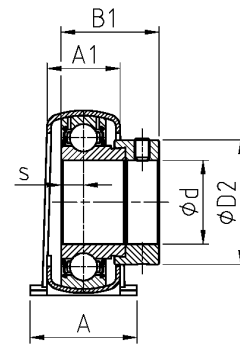
Housing PP200



Shaft diameter		Unit										Main dimensions [mm]	
d [mm]		L	H	H1	H2	A	A1	J	N	B1	s		
12	USPP201	85,7	22,2	2,4	43,2	25,4	15,9	68	9	22,0	6,0		
	ESPP201	85,7	22,2	2,4	43,2	25,4	15,9	68	9	28,6	6,5		
15	USPP202	85,7	22,2	2,4	43,2	25,4	15,9	68	9	22,0	6,0		
	ESPP202	85,7	22,2	2,4	43,2	25,4	15,9	68	9	28,6	6,5		
17	USPP203	85,7	22,2	2,4	43,2	25,4	15,9	68	9	22,0	6,0		
	ESPP203	85,7	22,2	2,4	43,2	25,4	15,9	68	9	28,6	6,5		
20	USPP204	98,4	25,4	2,4	49,9	31,7	21,6	76	9	25,0	7,0		
	ESPP204	98,4	25,4	2,4	49,9	31,7	21,6	76	9	30,9	7,5		
25	USPP205	108,0	28,6	2,8	55,8	31,7	21,6	86	11	27,0	7,5		
	ESPP205	108,0	28,6	2,8	55,8	31,7	21,6	86	11	30,9	7,5		
30	USPP206	117,5	33,3	3,6	65,7	37,5	25,5	95	11	30,0	8,0		
	ESPP206	117,5	33,3	3,6	65,7	37,5	25,5	95	11	35,7	9,0		
35	USPP207	128,6	39,7	4,4	77,5	41,0	28,4	106	11	32,0	8,5		
	ESPP207	128,6	39,7	4,4	77,5	41,0	28,4	106	11	38,9	9,5		



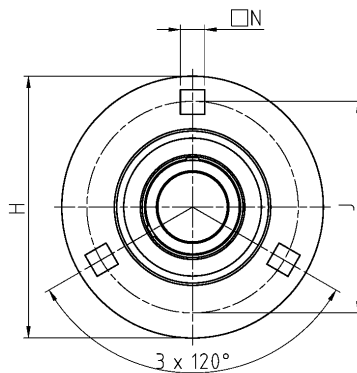
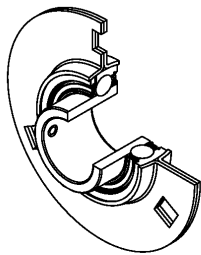
USPP200



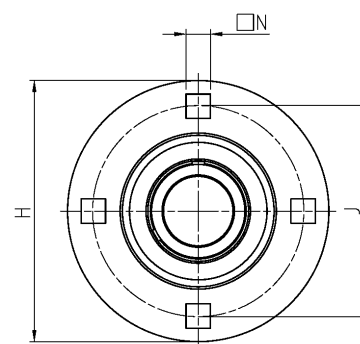
ESPP200

		Housing	Bearing insert	Dynamic load rating	Static load rating	Weight	Shaft diameter
D1	D2			C_r [kN]	C_{or} [kN]	[kg]	d [mm]
24,6	-	PP203	US201	9,55	4,78	0,2	12
-	28,6	PP203	ES201	9,55	4,78	0,2	
24,6	-	PP203	US202	9,55	4,78	0,2	15
-	28,6	PP203	ES202	9,55	4,78	0,2	
24,6	-	PP203	US203	9,55	4,78	0,2	17
-	28,6	PP203	ES203	9,55	4,78	0,2	
29,0	-	PP204	US204	12,80	6,65	0,2	20
-	33,3	PP204	ES204	12,80	6,65	0,3	
34,0	-	PP205	US205	14,00	7,88	0,4	25
-	38,1	PP205	ES205	14,00	7,88	0,4	
40,3	-	PP206	US206	19,50	11,20	0,6	30
-	44,5	PP206	ES206	19,50	11,20	0,6	
48,0	-	PP207	US207	25,70	15,20	0,9	35
-	55,6	PP207	ES207	25,70	15,20	1,0	

Housing PF200



PF203...207

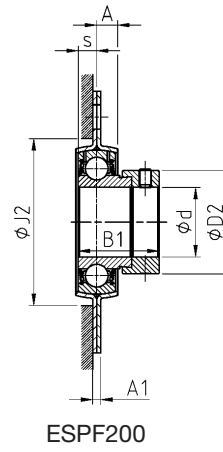
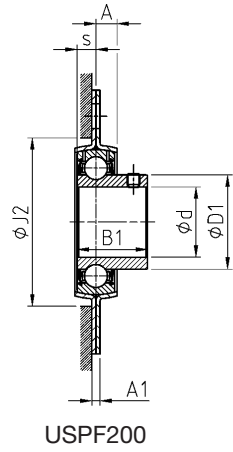


PF208...212

Shaft diameter
Unit

Main dimensions [mm]

d [mm]	Unit	H	J	J2	A	A1	N	B1	s
12	USPF201	81,0	63,5	49,0	6,7	4,0	7,1	22,0	6,0
	ESPF201	81,0	63,5	49,0	6,7	4,0	7,1	28,6	6,5
15	USPF202	81,0	63,5	49,0	6,7	4,0	7,1	22,0	6,0
	ESPF202	81,0	63,5	49,0	6,7	4,0	7,1	28,6	6,5
17	USPF203	81,0	63,5	49,0	6,7	4,0	7,1	22,0	6,0
	ESPF203	81,0	63,5	49,0	6,7	4,0	7,1	28,6	6,5
20	USPF204	90,5	71,5	55,0	7,7	4,0	8,7	25,0	7,0
	ESPF204	90,5	71,5	55,0	7,7	4,0	8,7	30,9	7,5
25	USPF205	95,2	76,0	60,0	8,7	4,0	8,7	27,0	7,5
	ESPF205	95,2	76,0	60,0	8,7	4,0	8,7	30,9	7,5
30	USPF206	112,7	90,5	71,0	9,0	5,0	10,5	30,0	8,0
	ESPF206	112,7	90,5	71,0	9,0	5,0	10,5	35,7	9,0
35	USPF207	122,2	100,0	81,0	10,0	5,0	10,5	32,0	8,5
	ESPF207	122,2	100,0	81,0	10,0	5,0	10,5	38,9	9,5
40	USPF208	147,8	119,0	91,0	10,0	7,0	13,5	34,0	9,0
	ESPF208	147,8	119,0	91,0	10,0	7,0	13,5	43,7	11,0
45	USPF209	149,2	120,5	97,0	10,0	7,0	13,5	41,2	10,2
	ESPF209	149,2	120,5	97,0	10,0	7,0	13,5	43,7	11,0
50	USPF210	155,6	127,0	102,0	10,5	8,0	13,5	43,5	10,9
	ESPF210	155,6	127,0	102,0	10,5	8,0	13,5	43,7	11,0
55	USPF211	166,6	138,0	113,0	10,7	8,0	13,5	45,3	11,8
	ESPF211	166,6	138,0	113,0	10,7	8,0	13,5	48,4	12,0
60	USPF212	176,2	147,6	122,0	11,9	8,0	13,5	53,7	14,9
	ESPF212	176,2	147,6	122,0	11,9	8,0	13,5	49,3	12,0

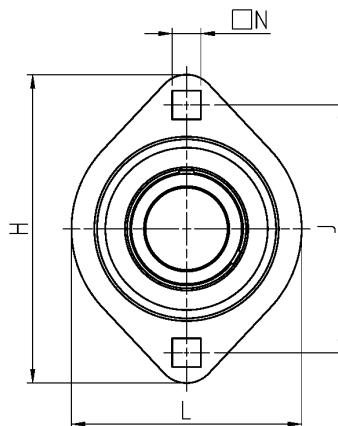
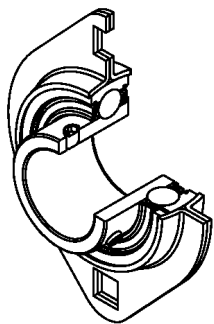


USPF200

ESPF200

		Housing	Bearing insert	Dynamic load rating	Static load rating	Weight	Shaft diameter
D1	D2			C_r [kN]	C_{Or} [kN]	[kg]	d [mm]
24,6	-	PF203	US201	9,55	4,78	0,2	12
-	28,6	PF203	ES201	9,55	4,78	0,2	
24,6	-	PF203	US202	9,55	4,78	0,2	15
-	28,6	PF203	ES202	9,55	4,78	0,2	
24,6	-	PF203	US203	9,55	4,78	0,2	17
-	28,6	PF203	ES203	9,55	4,78	0,2	
29,0	-	PF204	US204	12,80	6,65	0,3	20
-	33,3	PF204	ES204	12,80	6,65	0,3	
34,0	-	PF205	US205	14,00	7,88	0,4	25
-	38,1	PF205	ES205	14,00	7,88	0,4	
40,3	-	PF206	US206	19,50	11,20	0,7	30
-	44,5	PF206	ES206	19,50	11,20	0,7	
48,0	-	PF207	US207	25,70	15,20	0,9	35
-	55,6	PF207	ES207	25,70	15,20	1,0	
53,0	-	PF208	US208	29,60	18,20	1,5	40
-	60,3	PF208	ES208	29,60	18,20	1,6	
57,2	-	PF209	US209	31,85	20,80	1,7	45
-	63,5	PF209	ES209	31,85	20,80	1,7	
61,8	-	PF210	US210	35,10	23,20	1,8	50
-	69,9	PF210	ES210	35,10	23,20	1,8	
69,0	-	PF211	US211	43,55	29,20	2,2	55
-	76,2	PF211	ES211	43,55	29,20	2,0	
74,9	-	PF212	US212	52,50	32,80	2,4	60
-	84,2	PF212	ES212	52,50	32,80	2,3	

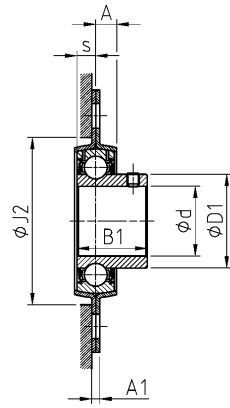
Housing PFL200



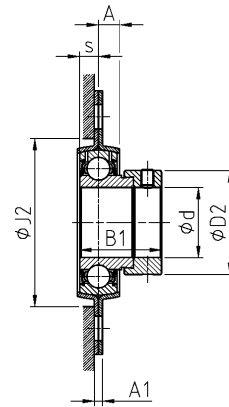
Shaft diameter
Unit

Main dimensions [mm]

d [mm]		L	H	J	J2	A	A1	N	B1
12	USPFL201	58,7	81,0	63,5	49,0	6,7	4,0	7,1	22,0
	ESPFL201	58,7	81,0	63,5	49,0	6,7	4,0	7,1	28,6
15	USPFL202	58,7	81,0	63,5	49,0	6,7	4,0	7,1	22,0
	ESPFL202	58,7	81,0	63,5	49,0	6,7	4,0	7,1	28,6
17	USPFL203	58,7	81,0	63,5	49,0	6,7	4,0	7,1	22,0
	ESPFL203	58,7	81,0	63,5	49,0	6,7	4,0	7,1	28,6
20	USPFL204	66,7	90,5	71,5	55,0	7,7	4,0	8,7	25,0
	ESPFL204	66,7	90,5	71,5	55,0	7,7	4,0	8,7	30,9
25	USPFL205	71,0	95,2	76,2	60,0	8,7	4,0	8,7	27,0
	ESPFL205	71,0	95,2	76,2	60,0	8,7	4,0	8,7	30,9
30	USPFL206	84,0	112,7	90,5	71,0	9,0	5,0	10,5	30,0
	ESPFL206	84,0	112,7	90,5	71,0	9,0	5,0	10,5	35,7
35	USPFL207	93,7	123,0	100,0	81,0	10,5	5,0	10,5	32,0
	ESPFL207	93,7	123,0	100,0	81,0	10,5	5,0	10,5	38,9
40	USPFL208	100,0	151,0	119,0	91,0	11,5	7,0	13,5	34,0
	ESPFL208	100,0	151,0	119,0	91,0	11,5	7,0	13,5	43,7



USPFL200



ESPFL200

Housing

Bearing insert

Dynamic load rating

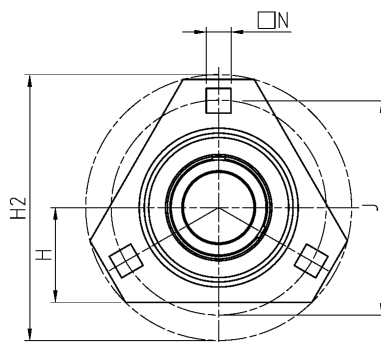
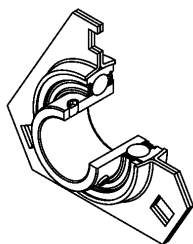
Static load rating

Weight

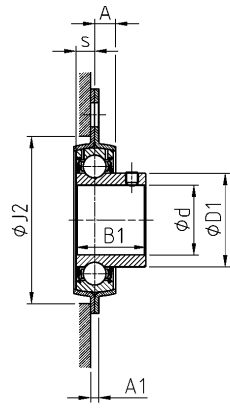
Shaft diameter

s	D1	D2			C_r [kN]	C_{Or} [kN]	[kg]	d [mm]
6,0	24,6	-	PFL203	US201	9,55	4,78	0,2	12
6,5	-	28,6	PFL203	ES201	9,55	4,78	0,2	
6,0	24,6	-	PFL203	US202	9,55	4,78	0,2	15
6,5	-	28,6	PFL203	ES202	9,55	4,78	0,2	
6,0	24,6	-	PFL203	US203	9,55	4,78	0,2	17
6,5	-	28,6	PFL203	ES203	9,55	4,78	0,2	
7,0	29,0	-	PFL204	US204	12,80	6,65	0,2	20
7,5	-	33,3	PFL204	ES204	12,80	6,65	0,3	
7,5	34,0	-	PFL205	US205	14,00	7,88	0,4	25
7,5	-	38,1	PFL205	ES205	14,00	7,88	0,4	
8,0	40,3	-	PFL206	US206	19,50	11,20	0,6	30
9,0	-	44,5	PFL206	ES206	19,50	11,20	0,6	
8,5	48,0	-	PFL207	US207	25,70	15,20	0,9	35
9,5	-	55,6	PFL207	ES207	25,70	15,20	1,0	
9,0	53,0	-	PFL208	US208	29,60	18,20	1,1	40
11,0	-	60,3	PFL208	ES208	29,60	18,20	1,2	

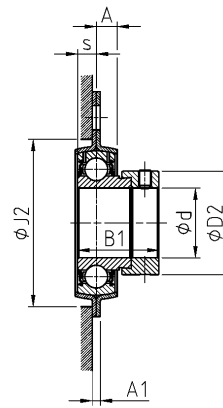
Housing PFT200



Shaft diameter		Unit		Main dimensions [mm]					
d [mm]		H	H2	J	J2	A	A1	N	B1
20	USPFT204	33,3	90,5	71,5	55,0	7,2	4,0	8,7	25,0
	ESPFT204	33,3	90,5	71,5	55,0	7,2	4,0	8,7	30,9
25	USPFT205	34,2	95,2	76,0	60,0	8,7	4,0	8,7	27,0
	ESPFT205	34,2	95,2	76,0	60,0	8,7	4,0	8,7	30,9
30	USPFT206	40,2	112,7	90,5	71,0	10,5	5,0	10,5	30,0
	ESPFT206	40,2	112,7	90,5	71,0	10,5	5,0	10,5	35,7
35	USPFT207	44,2	122,2	100,0	81,0	10,5	5,0	10,5	32,0
	ESPFT207	44,2	122,2	100,0	81,0	10,5	5,0	10,5	38,9



USPFT200

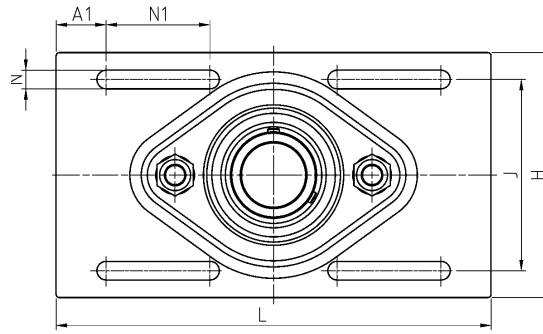
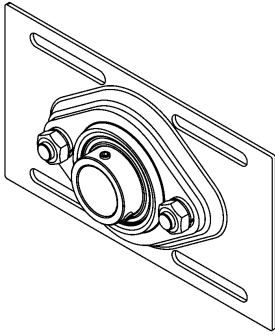


ESPFT200

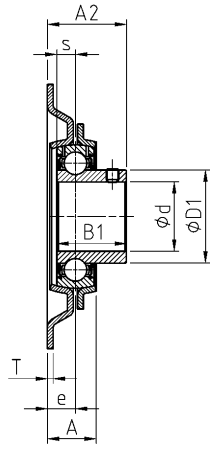
Housing
Bearing insert
Dynamic load rating
Static load rating
Weight
Shaft diameter

s	D1	D2			C_r [kN]	C_{Or} [kN]	Weight [kg]	d [mm]
7,0	29,0	-	PFT204	US204	12,80	6,65	0,2	20
7,5	-	33,3	PFT204	ES204	12,80	6,65	0,3	
7,5	34,0	-	PFT205	US205	14,00	7,88	0,4	25
7,5	-	38,1	PFT205	ES205	14,00	7,88	0,4	
8,0	40,3	-	PFT206	US206	19,50	11,20	0,6	30
9,0	-	44,5	PFT206	ES206	19,50	11,20	0,6	
8,5	48,0	-	PFT207	US207	25,70	15,20	0,9	35
9,5	-	55,6	PFT207	ES207	25,70	15,20	1,0	

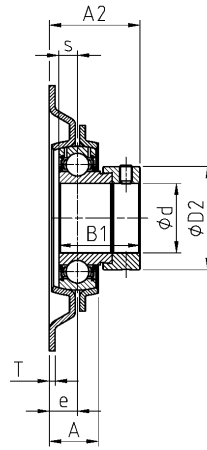
Housing PFE200



		Main dimensions [mm]												
		L	H	J	A	A1	A2	e	N	N1	T	B1	s	
d [mm]	25	203,2	104,8	80,2	19,0	23,4	29,8	10,3	8,7	48,5	2,0	27,0	7,5	
	30	203,2	114,3	89,2	21,1	23,4	34,1	12,1	8,7	48,5	2,5	30,0	8,0	
	ESPFE205	203,2	104,8	80,2	19,0	23,4	33,7	10,3	8,7	48,5	2,0	30,9	7,5	
	USPFE206	203,2	114,3	89,2	21,1	23,4	38,8	12,1	8,7	48,5	2,5	35,7	9,0	
	ESPFE206	203,2	114,3	89,2	21,1	23,4	38,8	12,1	8,7	48,5	2,5	35,7	9,0	

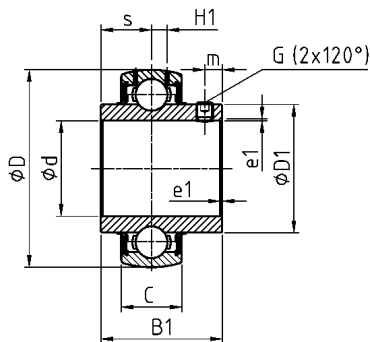
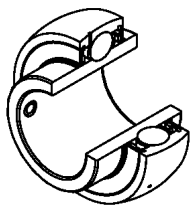


USPFE200



ESPFE200

		Housing	Bearing insert	Dynamic load rating	Static load rating	Weight	Shaft diameter
D1	D2			C_r [kN]	C_{Or} [kN]	[kg]	d [mm]
34,0	-	PFE205	US205	14,00	7,88	0,6	25
-	38,1	PFE205	ES205	14,00	7,88	0,6	25
40,3	-	PFE206	US206	19,50	11,20	0,8	30
-	44,5	PFE206	ES206	19,50	11,20	0,9	30



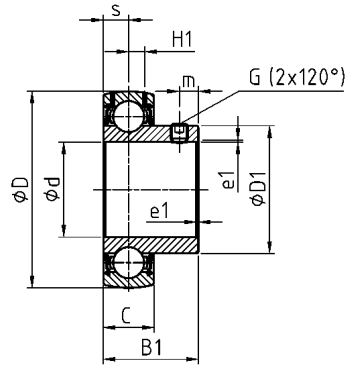
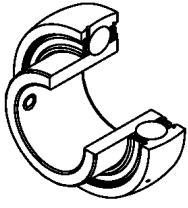
Shaft diameter Insert		Main dimensions [mm]										Dynamic load rating	Static load rating	Weight	Shaft diameter
d [mm]		D	C	B1	s_{max}	D1	H1	m	G	a^*	e1	C_r [kN]	C_{or} [kN]	[kg]	d [mm]
12	UC201	47,0	16,0	31,0	12,7	29,0	4,4	4,7	M6x1	3,0	0,6	12,80	6,65	0,21	12
15	UC202	47,0	16,0	31,0	12,7	29,0	4,4	4,7	M6x1	3,0	0,6	12,80	6,65	0,20	15
17	UC203	47,0	16,0	31,0	12,7	29,0	4,4	4,7	M6x1	3,0	0,6	12,80	6,65	0,18	17
20	UC204	47,0	16,0	31,0	12,7	29,0	4,4	4,7	M6x1	3,0	0,6	12,80	6,65	0,17	20
25	UC205	52,0	17,0	34,0	14,3	34,0	4,3	5,5	M6x1	3,0	0,6	14,00	7,88	0,21	25
30	UC206	62,0	19,0	38,1	15,9	40,3	5,0	5,5	M6x1	3,0	0,6	19,50	11,20	0,32	30
35	UC207	72,0	20,0	42,9	17,5	48,0	5,8	6,5	M8x1	4,0	1,1	25,70	15,20	0,47	35
40	UC208	80,0	21,0	49,2	19,0	53,0	6,3	8,0	M8x1	4,0	1,1	29,60	18,20	0,64	40
45	UC209	85,0	22,0	49,2	19,0	57,2	6,8	8,0	M8x1	4,0	1,1	31,85	20,80	0,68	45
50	UC210	90,0	23,0	51,6	19,0	61,8	6,5	9,0	M10x1,25	5,0	1,1	35,10	23,20	0,80	50
55	UC211	100,0	25,0	55,6	22,2	69,0	7,2	9,0	M10x1,25	5,0	1,1	43,55	29,20	1,12	55
60	UC212	110,0	27,0	65,1	25,4	74,9	8,2	10,5	M10x1,25	5,0	1,1	52,50	32,80	1,53	60
65	UC213	120,0	28,0	65,1	25,4	82,0	8,0	12,0	M12x1,25	6,0	1,5	57,20	40,00	1,86	65
70	UC214	125,0	30,0	74,6	30,2	86,5	9,0	12,0	M12x1,25	6,0	2,0	62,00	45,00	2,05	70
75	UC215	130,0	30,0	77,8	33,3	91,5	9,0	12,0	M12x1,25	6,0	2,0	66,00	49,50	2,21	75
80	UC216	140,0	33,0	82,6	33,3	98,0	10,3	14,0	M12x1,25	6,0	2,0	72,50	54,20	2,79	80
85	UC217	150,0	35,0	85,7	34,1	105,1	11,0	14,0	M12x1,25	6,0	2,0	83,20	63,80	3,38	85
90	UC218	160,0	37,0	96,0	39,7	111,0	12,0	14,0	M12x1,25	6,0	2,0	96,00	71,50	4,45	90

* width across flats (hexagon socket)

Bearing insert

Bearing insert with set screws

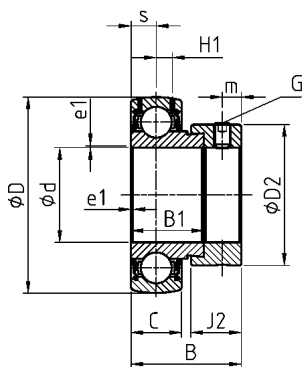
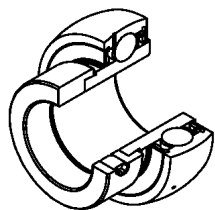
US200 relubricatable



Shaft diameter		Main dimensions [mm]										Dynamic load rating	Static load rating	Weight	Shaft diameter
d [mm]	Insert	D	C	B1	s_{max}	D1	H1	m	G	a^*	e1	C_r [kN]	C_{or} [kN]	[kg]	d [mm]
12	US201	40,0	12,0	22,0	6,0	24,6	3,6	4,0	M5x0,8	2,5	0,6	9,55	4,78	0,09	12
15	US202	40,0	12,0	22,0	6,0	24,6	3,6	4,0	M5x0,8	2,5	0,6	9,55	4,78	0,08	15
17	US203	40,0	12,0	22,0	6,0	24,6	3,6	4,0	M5x0,8	2,5	0,6	9,55	4,78	0,10	17
20	US204	47,0	14,0	25,0	7,0	29,0	4,0	5,0	M6x1	3,0	0,6	12,80	6,65	0,13	20
25	US205	52,0	15,0	27,0	7,5	34,0	4,3	5,5	M6x1	3,0	0,6	14,00	7,88	0,17	25
30	US206	62,0	16,0	30,0	8,0	40,3	5,0	6,0	M6x1	3,0	0,6	19,50	11,20	0,27	30
35	US207	72,0	17,0	32,0	8,5	48,0	5,7	6,5	M6x1	3,0	0,6	25,70	15,20	0,42	35
40	US208	80,0	18,0	34,0	9,0	53,0	6,2	7,0	M8x1	4,0	1,1	29,60	18,20	0,60	40
45	US209	85,0	19,0	41,2	10,2	57,2	6,5	8,2	M8x1	4,0	1,1	31,85	20,80	0,65	45
50	US210	90,0	20,0	43,5	10,9	61,8	6,5	9,2	M8x1	4,0	1,1	35,10	23,20	0,76	50
55	US211	100,0	23,0	45,3	11,8	69,0	7,2	9,8	M10x1,25	5,0	1,1	43,55	29,20	1,07	55
60	US212	110,0	24,0	53,7	14,9	74,9	8,0	9,8	M10x1,25	5,0	1,1	52,50	32,80	1,30	60

* width across flats (hexagon socket)

Bearing insert with eccentric locking collar ES200 relubricatable

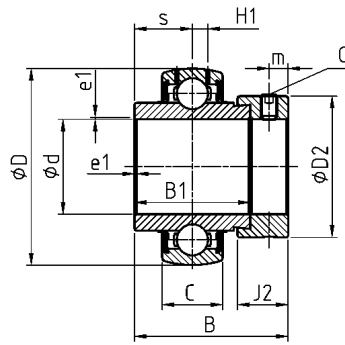
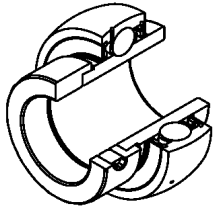


Shaft diameter		Main dimensions [mm]												Dynamic load rating	Static load rating	Weight	Shaft diameter
d	...G2	D	C	B1	J2	B	s_{max}	D2	H1	m	G	a^*	e1	C_r	C_{0r}	[kg]	d
[mm]														[kN]	[kN]		[mm]
12	ES201	40	12	19,1	13,5	28,6	6,5	28,6	3,6	5,0	M6x1	3	0,6	9,55	4,78	0,14	12
15	ES202	40	12	19,1	13,5	28,6	6,5	28,6	3,6	5,0	M6x1	3	0,6	9,55	4,78	0,13	15
17	ES203	40	12	19,1	13,5	28,6	6,5	28,6	3,6	5,0	M6x1	3	0,6	9,55	4,78	0,13	17
20	ES204	47	14	21,4	13,5	30,9	7,5	33,3	4,0	5,0	M6x1	3	0,6	12,80	6,65	0,15	20
25	ES205	52	15	21,4	13,5	30,9	7,5	38,1	4,3	5,0	M6x1	3	0,6	14,00	7,88	0,19	25
30	ES206	62	16	23,8	15,9	35,7	9,0	44,5	5,0	6,0	M8x1	3	0,6	19,50	11,20	0,33	30
35	ES207	72	17	25,4	17,5	38,9	9,5	55,6	5,7	6,5	M8x1	4	1,1	25,70	15,20	0,50	35
40	ES208	80	18	30,2	18,3	43,7	11,0	60,3	6,2	6,5	M8x1	4	1,1	29,60	18,20	0,65	40
45	ES209	85	19	30,2	18,3	43,7	11,0	63,5	6,5	6,5	M8x1	4	1,1	31,85	20,80	0,69	45
50	ES210	90	20	30,2	18,3	43,7	11,0	69,9	6,5	6,5	M8x1	4	1,1	35,10	23,20	0,80	50
55	ES211	100	24	32,5	20,7	48,4	12,0	76,2	7,2	8,0	M10x1,25	5	1,1	43,55	29,20	0,87	55
60	ES212	110	24	33,4	22,3	49,3	12,0	84,2	8,0	8,0	M10x1,25	5	1,1	52,50	32,80	1,20	60

* width across flats (hexagon socket)

Bearing insert

Bearing insert with eccentric locking collar EX200 relubricatable

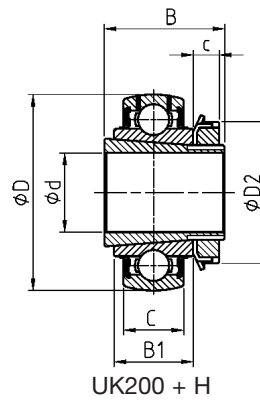
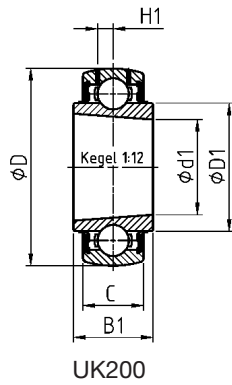
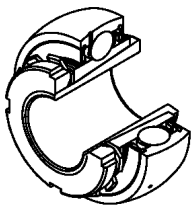


Main dimensions [mm]

d [mm]	...G2	D	C	B1	J2	B	s _{max}	D2	H1	m	G	a*	e1	Dynamic load rating			d
														C _r [kN]	C _{0r} [kN]	Weight [kg]	
12	EX201	47	16	34,0	13,5	43,5	17,0	33,3	4,4	5,0	M6x1	3	0,6	12,80	6,65	0,29	12
15	EX202	47	16	34,0	13,5	43,5	17,0	33,3	4,4	5,0	M6x1	3	0,6	12,80	6,65	0,27	15
17	EX203	47	16	34,0	13,5	43,5	17,0	33,3	4,4	5,0	M6x1	3	0,6	12,80	6,65	0,25	17
20	EX204	47	16	34,0	13,5	43,5	17,0	33,3	4,4	5,0	M6x1	3	0,6	12,80	6,65	0,22	20
25	EX205	52	17	34,8	13,5	44,3	17,4	38,1	4,3	5,0	M6x1	3	0,6	14,00	7,88	0,25	25
30	EX206	62	19	36,4	15,9	48,3	18,2	44,5	5,0	6,0	M6x1	3	0,6	19,50	11,20	0,41	30
35	EX207	72	20	37,6	17,5	51,1	18,8	55,6	5,8	6,5	M8x1	4	1,1	25,70	15,20	0,60	35
40	EX208	80	21	42,8	18,3	56,3	21,4	60,3	6,3	6,5	M8x1	4	1,1	29,60	18,20	0,78	40
45	EX209	85	22	42,8	18,3	56,3	21,4	63,5	6,8	6,5	M8x1	4	1,1	31,85	20,80	0,87	45
50	EX210	90	23	49,2	18,3	62,7	24,6	69,9	6,5	6,5	M8x1	4	1,1	35,10	23,20	1,01	50
55	EX211	100	25	55,4	20,7	71,3	27,7	76,2	7,2	8,0	M10x1,25	5	1,5	43,55	29,20	1,39	55
60	EX212	110	27	61,8	22,3	77,7	30,9	84,2	8,2	8,0	M10x1,25	5	1,5	52,50	32,80	1,87	60
65	EX213	120	28	68,2	23,5	85,7	34,1	86,0	8,0	8,5	M10x1,25	5	1,5	57,20	40,00	2,41	65
70	EX214	125	30	68,2	23,5	85,7	34,1	96,8	9,0	8,5	M10x1,25	5	2,0	62,00	45,00	2,57	70
75	EX215	130	30	74,6	23,9	92,1	37,3	102,0	9,0	8,5	M10x1,25	5	2,0	66,00	49,50	2,84	75
80	EX216	140	33	74,6	27,0	95,2	37,3	110,0	10,3	10,3	M12x1,25	6	2,0	72,50	54,20	3,12	80
85	EX217	150	35	53,2	27,0	73,2	23,4	119,0	11,0	10,0	M12x1,25	6	2,0	83,20	63,80	3,72	85
90	EX218	160	37	55,0	24,0	72,5	24,5	120,0	12,0	9,5	M12x1,25	6	2,0	96,00	71,50	4,90	90

* width across flats (hexagon socket)

Bearing insert with adapter sleeve UK200+H relubrica-



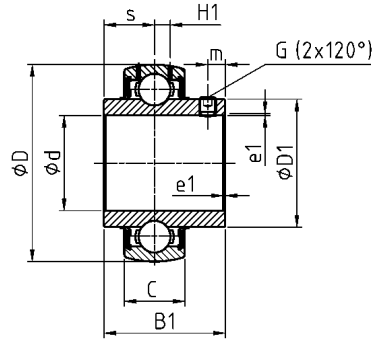
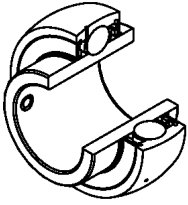
Shaft diameter Insert + Adapter sleeve		Main dimensions [mm]									Insert	Adapter sleeve	Dynamic load rating	Static load rating	Total weight	Weight insert	Shaft diameter
		D	C	B1	c	B	d1	D1	D2	H1							
d [mm]												C _r [kN]	C _{0r} [kN]	[kg]	[kg]	d [mm]	
20	UK205+H	52	17	21	8,0	35	25	34,0	38	4,3	UK205	H2305	14,00	7,88	0,24	0,15	20
25	UK206+H	62	19	25	8,0	38	30	40,3	45	5,0	UK206	H2306	19,50	11,20	0,38	0,25	25
30	UK207+H	72	20	27	9,0	43	35	48,0	52	5,8	UK207	H2307	25,70	15,20	0,54	0,37	30
35	UK208+H	80	21	29	10,0	46	40	53,0	58	6,3	UK208	H2308	29,60	18,20	0,70	0,48	35
40	UK209+H	85	22	30	11,0	50	45	57,2	65	6,8	UK209	H2309	31,85	20,80	0,81	0,53	40
45	UK210+H	90	23	31	12,0	55	50	61,8	70	6,5	UK210	H2310	35,10	23,20	0,95	0,59	45
50	UK211+H	100	25	33	12,5	59	55	69,0	75	7,2	UK211	H2311	43,55	29,20	1,19	0,77	50
55	UK212+H	110	27	36	13,0	62	60	74,9	80	8,2	UK212	H2312	52,50	32,80	1,51	1,03	55
60	UK213+H	120	28	36	14,0	65	65	82,0	85	8,0	UK213	H2313	57,20	40,00	1,92	1,36	60
65	UK215+H	130	30	41	15,0	73	75	91,5	98	9,0	UK215	H2315	66,00	49,50	2,72	1,67	65
70	UK216+H	140	33	44	17,0	78	80	98,0	105	10,3	UK216	H2316	72,50	54,20	3,24	1,96	70
75	UK217+H	150	35	44	18,0	82	85	105,1	110	11,0	UK217	H2317	83,20	63,80	3,87	2,42	75
80	UK218+H	160	37	48	18,0	86	90	111,0	120	12,0	UK218	H2318	96,00	71,50	4,69	3,00	80

Please find the size of the appropriate hook spanner on page 22

Bearing insert

Bearing insert with set screws

UC300 relubricatable

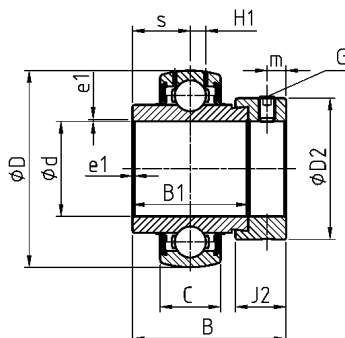
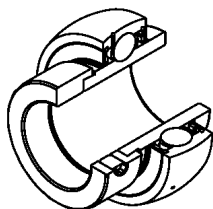


Shaft diameter		Main dimensions [mm]											Dynamic load rating	Static load rating	Weight	Shaft diameter
d	...G2	D	C	B1	s_{max}	D1	H1	m	G	a^*	$e1$	C_r	C_{or}	[kg]	d	
[mm]												[kN]	[kN]		[mm]	
25	UC305	62	21	38	15	35,4	6,2	6,0	M6x1	3	1,5	22,36	11,50	0,35	25	
30	UC306	72	24	43	17	44,6	6,5	6,0	M6x1	3	1,5	27,00	15,20	0,56	30	
35	UC307	80	25	48	19	48,9	7,2	8,0	M8x1	4	2,0	33,50	19,20	0,71	35	
40	UC308	90	28	52	19	56,5	8,5	10,0	M10x1,25	5	2,0	40,56	24,00	0,96	40	
45	UC309	100	30	57	22	61,8	9,0	10,0	M10x1,25	5	2,0	53,00	31,80	1,28	45	
50	UC310	110	32	61	22	68,7	9,9	12,0	M12x1,25	6	2,0	62,00	37,80	1,65	50	
55	UC311	120	34	66	25	74,9	10,6	12,0	M12x1,25	6	2,0	71,50	44,80	1,90	55	
60	UC312	130	36	71	26	81,0	11,3	12,0	M12x1,25	6	2,0	81,60	51,80	2,60	60	
65	UC313	140	38	75	30	87,5	12,1	12,0	M12x1,25	6	2,0	93,86	60,50	3,25	65	
70	UC314	150	40	78	33	94,0	12,8	12,0	M12x1,25	6	2,5	104,26	68,00	3,95	70	
75	UC315	160	42	82	32	100,5	13,5	14,0	M14x1,5	6	2,5	113,36	76,80	4,33	75	
80	UC316	170	44	86	34	107,9	14,5	14,0	M14x1,5	6	3,0	122,85	86,50	5,57	80	
85	UC317	180	46	96	40	114,0	15,5	16,0	M16x1,5	8	3,0	132,60	96,50	6,84	85	
90	UC318	190	48	96	40	120,0	16,5	16,0	M16x1,5	8	3,5	143,00	108,00	7,87	90	
95	UC319	200	50	103	41	126,5	16,7	18,0	M16x1,5	8	3,0	156,00	122,00	8,91	95	
100	UC320	215	54	108	42	134,5	19,0	18,0	M18x1,5	9	3,5	171,60	140,00	11,20	100	
105	UC321	225	57	112	44	140,5	20,0	18,0	M18x1,5	9	3,0	182,00	155,00	12,20	105	
110	UC322	240	60	117	46	149,0	21,0	18,0	M18x1,5	9	3,0	205,00	178,00	14,30	110	
120	UC324	260	64	126	51	163,0	22,0	18,0	M18x1,5	9	3,0	228,00	208,00	18,50	120	
130	UC326	280	68	135	54	177,0	23,0	20,0	M20x1,5	10	4,0	252,00	242,00	23,00	130	
140	UC328	300	73	145	59	190,0	25,0	20,0	M20x1,5	10	4,0	275,00	272,00	28,50	140	

* width across flats (hexagon socket)

Bearing insert with set screws

EX300 relubricatable

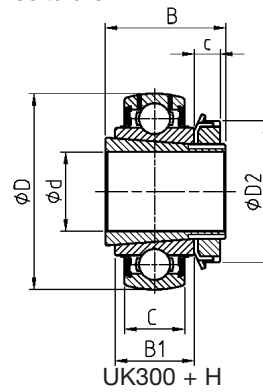
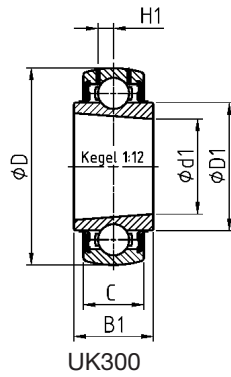
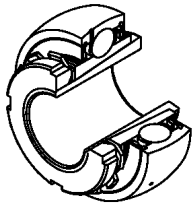


Shaft diameter		Main dimensions [mm]											Dynamic load rating	Static load rating	Weight	Shaft diameter	
d	Insert	D	C	B1	J2	B	s _{max}	D2	H1	m	G	a*	e1	C _r	C _{0r}	[kg]	d
[mm]														[kN]	[kN]		[mm]
25	EX305	62	21	34,9	15,9	46,8	16,7	42,8	6,2	6,0	M8x1	4	1,5	22,36	11,50	0,43	25
30	EX306	72	24	36,5	17,5	50,0	17,5	50,0	6,5	6,7	M8x1	4	1,5	27,00	15,20	0,68	30
35	EX307	80	25	38,1	17,5	51,6	18,3	55,0	7,2	6,7	M8x1	4	2,0	33,50	19,20	0,80	35
40	EX308	90	28	41,3	20,6	57,1	19,8	63,5	8,5	8,0	M10x1,25	5	2,0	40,56	24,00	1,08	40
45	EX309	100	30	42,9	20,6	58,7	19,8	70,0	9,0	8,0	M10x1,25	5	2,0	53,00	31,80	1,45	45
50	EX310	110	32	49,2	22,2	66,6	24,6	76,2	9,9	8,7	M10x1,25	5	2,0	62,00	37,80	1,86	50
55	EX311	120	34	55,6	22,2	73,0	27,8	83,0	10,6	9,0	M10x1,25	5	2,0	71,50	44,80	2,30	55
60	EX312	130	36	61,9	23,9	79,4	31,0	89,0	11,3	9,0	M10x1,25	5	2,0	81,60	51,80	2,89	60
65	EX313	140	38	65,1	27,0	85,7	32,5	97,0	12,1	11,5	M12x1,25	6	2,0	93,86	60,50	3,66	65
70	EX314	150	40	68,3	30,2	92,1	34,2	102,0	12,8	12,0	M12x1,25	6	2,5	104,26	68,00	4,50	70
75	EX315	160	42	74,6	31,8	100,0	37,3	113,0	13,5	13,0	M16x1,5	8	2,5	113,36	76,80	5,34	75
80	EX316	170	44	81,0	31,8	106,4	40,5	119,0	14,5	13,0	M16x1,5	8	3,0	122,85	86,50	6,70	80
85	EX317	180	46	84,1	31,8	109,5	42,0	127,0	15,5	13,0	M16x1,5	8	3,0	132,60	96,50	7,96	85
90	EX318	190	48	87,3	36,5	115,9	43,6	133,0	16,5	14,5	M20x1,5	8	3,0	143,00	108,00	9,10	90
95	EX319	200	50	93,7	36,5	122,3	46,8	140,0	16,7	14,5	M20x1,5	8	3,0	156,00	122,00	10,40	95
100	EX320	215	54	100,0	36,5	128,6	50,0	146,0	19,0	14,5	M20x1,5	9	3,5	171,60	140,00	13,00	100

* width across flats (hexagon socket)

Bearing insert

Bearing insert with adapter sleeve UK300+H relubricatable

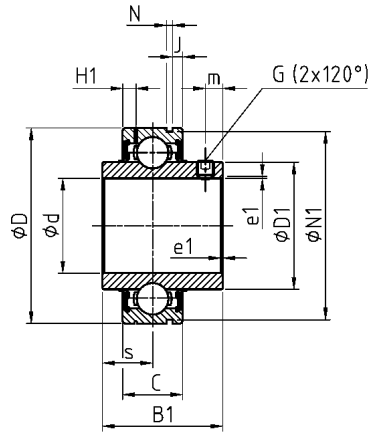
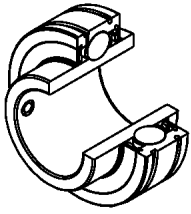


Shaft diameter Insert + Adapter sleeve		Main dimensions [mm]										Insert		Adapter sleeve		Dynamic load rating	Static load rating	Total weight	Weight insert	Shaft diameter
d [mm]		D	C	B1	c	B	d1	D1	D2	H1			C _r [kN]	C _{0r} [kN]	[kg]	[kg]	[kg]	[kg]	d [mm]	
20	UK305+H	62	21	27	8,0	35	25	35,4	38	6,2	UK305	H2305	22,36	11,50	0,49	0,40	20			
25	UK306+H	72	24	30	8,0	38	30	44,6	45	6,5	UK306	H2306	27,00	15,20	0,59	0,46	25			
30	UK307+H	80	25	33	9,0	43	35	48,9	52	7,2	UK307	H2307	33,50	19,20	0,92	0,75	30			
35	UK308+H	90	28	35	10,0	46	40	56,5	58	8,5	UK308	H2308	40,56	24,00	1,03	0,81	35			
40	UK309+H	100	30	38	11,0	50	45	61,8	65	9,0	UK309	H2309	53,00	31,80	1,47	1,19	40			
45	UK310+H	110	32	40	12,0	55	50	68,7	70	9,9	UK310	H2310	62,00	37,80	1,74	1,38	45			
50	UK311+H	120	34	43	12,5	59	55	74,9	75	10,6	UK311	H2311	71,50	44,80	2,20	1,78	50			
55	UK312+H	130	36	47	13,0	62	60	81,0	80	11,3	UK312	H2312	81,60	51,80	2,54	2,06	55			
60	UK313+H	140	38	49	14,0	65	65	87,5	85	12,1	UK313	H2313	93,86	60,50	3,27	2,71	60			
65	UK315+H	160	42	55	15,0	73	75	100,5	98	13,5	UK315	H2315	113,36	76,80	5,03	3,98	65			
70	UK316+H	170	44	55	17,0	78	80	107,9	105	14,5	UK316	H2316	122,85	86,50	5,83	4,55	70			
75	UK317+H	180	46	60	18,0	82	85	114,0	110	15,5	UK317	H2317	132,60	96,50	6,89	5,44	75			
80	UK318+H	190	48	60	18,0	86	90	120,0	120	16,5	UK318	H2318	143,00	108,00	7,94	6,25	80			
85	UK319+H	200	50	66	19,0	90	95	126,5	125	16,7	UK319	H2319	156,00	122,00	9,23	7,31	85			
90	UK320+H	215	54	68	20,0	97	100	134,5	130	19,0	UK320	H2320	171,60	140,00	10,97	8,82	90			
100	UK322+H	240	60	80	21,0	105	110	147,7	145	21,0	UK322	H2322	205,00	178,00	17,64	14,90	100			
110	UK324+H	260	64	86	22,0	112	120	162,1	155	22,0	UK324	H2324	228,00	208,00	21,19	18,00	110			
115	UK326+H	280	68	92	23,0	121	130	176,1	165	23,0	UK326	H2326	252,00	242,00	27,90	23,30	115			
125	UK328+H	300	72	98	24,0	131	140	189,0	180	25,0	UK328	H2328	275,00	272,00	34,45	28,90	125			

Please find the size of the appropriate hook spanner on page 22

Bearing insert with cylindrical outer ring
and set screws

CUC200 relubricatable



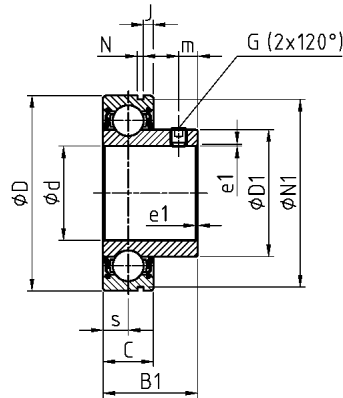
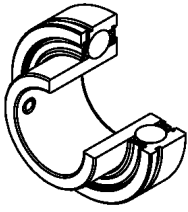
Shaft diameter		Main dimensions [mm]														Dynamic load rating	Static load rating	Weight	Shaft diameter
d	Insert	D	C	B1	s_{max}	D1	H1	m	N	J	N1	G	a^*	e1	C_r	C_{or}	[kg]	d	
[mm]															[kN]	[kN]		[mm]	
20	CUC204	47	17	31,0	12,7	29,0	4,0	4,5	1,35	3,10	44,60	M6 x 1	3	0,6	12,80	6,65	0,20	20	
25	CUC205	52	17	34,0	14,3	34,0	4,1	5,0	1,35	3,20	49,73	M6 x 1	3	0,6	14,00	7,88	0,21	25	
30	CUC206	62	19	38,1	15,9	40,3	4,2	5,5	1,90	3,20	59,61	M6 x 1	3	0,6	19,50	11,20	0,35	30	
35	CUC207	72	20	42,9	17,5	46,9	5,0	6,5	1,90	3,30	68,81	M8 x 1	4	1,1	25,70	15,20	0,47	35	
40	CUC208	80	21	49,2	19,0	53,0	5,0	8,0	1,90	3,40	76,81	M8 x 1	4	1,1	29,60	18,20	0,64	40	
45	CUC209	85	22	49,2	19,0	57,2	5,1	8,0	1,90	3,50	81,81	M8 x 1	4	1,1	31,85	20,80	0,68	45	
50	CUC210	90	23	51,6	19,0	61,8	5,6	9,0	2,70	3,70	86,79	M10x1,25	5	1,1	35,10	23,20	0,80	50	

* width across flats (hexagon socket)

Bearing insert

Bearing insert with cylindrical outer ring
and set screws

CUS200



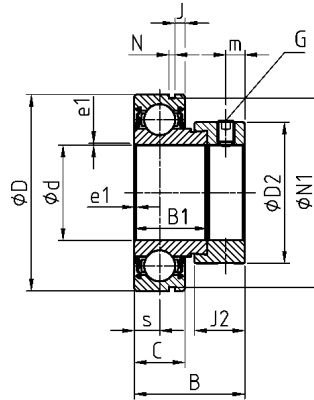
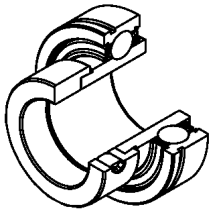
Main dimensions [mm]

Shaft diameter	Insert	Main dimensions [mm]											Dynamic load rating	Static load rating	Weight	Shaft diameter	
d [mm]		D	C	B1	s_{max}	D1	m	N	J	N1	G	a^*	e1	C_r [kN]	C_{or} [kN]	[kg]	d [mm]
20	CUS204	47	14	25,0	7,0	28,3	5	1,35	2,38	44,60	M6 x 1	3	1,0	12,80	6,65	0,13	20
25	CUS205	52	15	27,0	7,5	34,0	5	1,35	2,38	49,73	M6 x 1	3	1,0	14,00	7,88	0,17	25
30	CUS206	62	16	30,0	8,0	40,0	5,5	1,90	3,18	59,61	M6 x 1	3	1,0	19,50	11,20	0,27	30
35	CUS207	72	17	32,0	8,5	46,9	6	1,90	3,18	68,81	M6 x 1	3	1,0	25,70	15,20	0,42	35
40	CUS208	80	18	34,0	9,0	52,4	8	1,90	3,18	76,81	M8 x 1	4	1,0	29,60	18,20	0,48	40
45	CUS209	85	19	41,2	9,5	57,6	8	1,90	3,18	81,81	M8 x 1	4	1,5	31,85	20,80	0,57	45
50	CUS210	90	20	43,5	10,0	63,2	9	2,70	3,70	86,79	M8 x 1	4	1,5	35,10	23,20	0,66	50

* width across flats (hexagon socket)

Bearing insert with cylindrical outer ring and eccentric locking collar

CES200



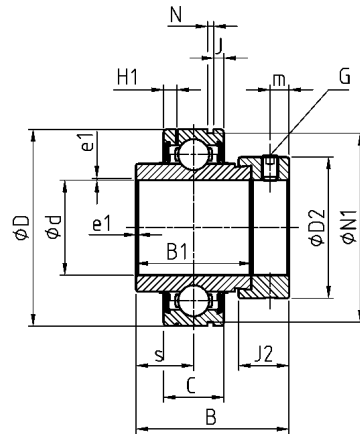
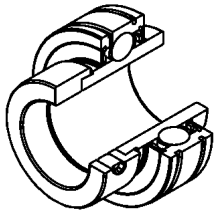
Shaft diameter	Insert	Main dimensions [mm]														Dynamic load rating	Static load rating	Weight	Shaft diameter
d [mm]		D	C	B1	J2	B	s _{max}	D2	m	N	J	N1	G	a*	e1	C _r [kN]	C _{0r} [kN]	[kg]	d [mm]
20	CES204	47	14	21,5	13,5	31,0	7,0	33,3	5,0	1,35	2,38	44,60	M6x1	3	1,0	12,80	6,65	0,15	20
25	CES205	52	15	21,5	13,5	31,0	7,5	38,1	5,0	1,35	2,38	49,73	M6x1	3	1,0	14,00	7,88	0,19	25
30	CES206	62	16	23,8	15,9	35,7	8,0	44,5	6,0	1,90	3,18	59,61	M6x1	3	1,0	19,50	11,20	0,33	30
35	CES207	72	17	25,4	17,5	38,9	8,5	55,6	6,5	1,90	3,18	68,81	M8x1	4	1,5	25,70	15,20	0,50	35
40	CES208	80	18	30,2	18,3	43,7	9,0	60,3	6,5	1,90	3,18	76,81	M8x1	4	1,5	29,60	18,20	0,65	40
45	CES209	85	19	30,2	18,3	43,7	9,5	63,5	6,5	1,90	3,18	81,81	M8x1	4	1,5	31,85	20,80	0,69	45
50	CES210	90	20	30,2	18,3	43,7	10,0	69,9	6,5	2,70	3,70	86,79	M8x1	4	1,5	35,10	23,20	0,80	50

* width across flats (hexagon socket)

Bearing insert

Bearing insert with cylindrical outer ring
eccentric locking collar

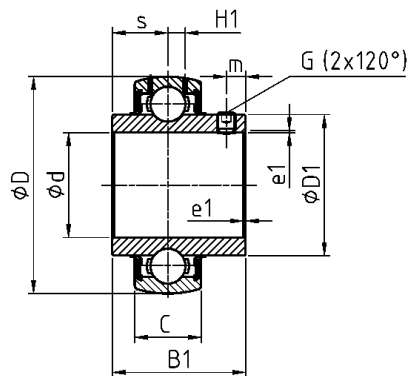
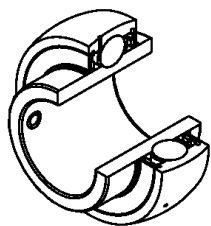
CEX200 relubricatable and



Main dimensions [mm]

Shaft diameter Insert	Main dimensions [mm]															Dynamic load rating Static load rating	Weight	Shaft diameter		
	d [mm]	D	C	B1	J2	B	s _{max}	D2	H1	m	N	J	N1	G	a* e1				C _r [kN]	C _{0r} [kN]
20	CEX204	47	17	34,2	13,5	43,7	17,1	33,3	4,0	5,0	1,35	3,1	44,60	M6x1	3	1,0	12,80	6,65	0,22	20
25	CEX205	52	17	34,9	13,5	44,4	17,5	38,1	4,1	5,0	1,35	3,2	49,73	M6x1	3	1,0	14,00	7,88	0,25	25
30	CEX206	62	19	36,5	15,9	48,4	18,3	44,5	4,2	6,0	1,90	3,2	59,61	M6x1	3	1,0	19,50	11,20	0,41	30
35	CEX207	72	20	37,6	17,5	51,1	18,8	55,5	5,0	6,5	1,90	3,3	68,81	M8x1	4	1,5	25,70	15,20	0,60	35
40	CEX208	80	21	42,8	18,3	56,3	21,4	60,3	5,0	6,5	1,90	3,4	76,81	M8x1	4	1,5	29,60	18,20	0,78	40
45	CEX209	85	22	42,8	18,3	56,3	21,4	63,5	5,1	6,5	1,90	3,5	81,81	M8x1	4	1,5	31,85	20,80	0,87	45
50	CEX210	90	24	49,2	18,3	62,7	24,6	69,5	5,6	6,5	2,70	3,7	86,79	M8x1	4	1,5	35,10	23,20	1,01	50

* width across flats (hexagon socket)



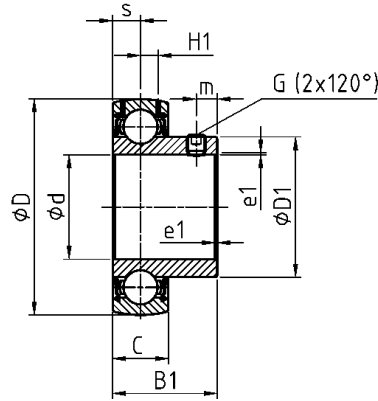
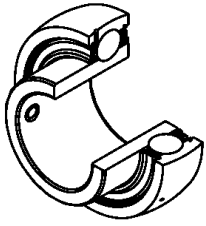
Shaft diameter		Main dimensions [mm]										Dynamic load rating	Static load rating	Weight	Shaft diameter
d	Insert	D	C	B1	s _{max}	D1	H1	m	G	a*	e1	C _r	C _{or}	[kg]	d
[inch]										[inch]		[kN]	[kN]		[inch]
1/2	UC201-08	47	16	31,0	12,7	29,0	4,4	4,7	1/4-28UNF	1/8	0,6	12,80	6,65	0,21	1/2
5/8	UC202-10	47	16	31,0	12,7	29,0	4,4	4,7	1/4-28UNF	1/8	0,6	12,80	6,65	0,20	5/8
11/16	UC203-11	47	16	31,0	12,7	29,0	4,4	4,7	1/4-28UNF	1/8	0,6	12,80	6,65	0,18	11/16
3/4	UC204-12	47	16	31,0	12,7	29,0	4,4	4,7	1/4-28UNF	1/8	0,6	12,80	6,65	0,17	3/4
7/8	UC205-14	52	17	34,0	14,3	34,0	4,3	5,5	1/4-28UNF	1/8	0,6	14,00	7,88	0,21	7/8
15/16	UC205-15	52	17	34,0	14,3	34,0	4,3	5,5	1/4-28UNF	1/8	0,6	14,00	7,88	0,21	15/16
1	UC205-16	52	17	34,0	14,3	34,0	4,3	5,5	1/4-28UNF	1/8	0,6	14,00	7,88	0,20	1
1 1/8	UC206-18	62	19	38,1	15,9	40,3	5,0	5,5	1/4-28UNF	1/8	0,6	19,50	11,20	0,34	1 1/8
1 3/16	UC206-19	62	19	38,1	15,9	40,3	5,0	5,5	1/4-28UNF	1/8	0,6	19,50	11,20	0,31	1 3/16
1 1/4	UC206-20	62	19	38,1	15,9	40,3	5,0	5,5	1/4-28UNF	1/8	0,6	19,50	11,20	0,30	1 1/4
1 3/8	UC207-22	72	20	42,9	17,5	48,0	5,8	6,5	5/16-24UNF	5/32	1,1	25,70	15,20	0,48	1 3/8
1 7/16	UC207-23	72	20	42,9	17,5	48,0	5,8	6,5	5/16-24UNF	5/32	1,1	25,70	15,20	0,45	1 7/16
1 1/2	UC208-24	80	21	49,2	19,0	53,0	6,3	8,0	5/16-24UNF	5/32	1,1	29,60	18,20	0,68	1 1/2
1 5/8	UC209-26	85	22	49,2	19,0	57,2	6,8	8,0	5/16-24UNF	5/32	1,1	31,85	20,80	0,78	1 5/8
1 11/16	UC209-27	85	22	49,2	19,0	57,2	6,8	8,0	5/16-24UNF	5/32	1,1	31,85	20,80	0,74	1 11/16
1 3/4	UC209-28	85	22	49,2	19,0	57,2	6,8	8,0	5/16-24UNF	5/32	1,1	31,85	20,80	0,70	1 3/4
1 7/8	UC210-30	90	23	51,6	19,0	61,8	6,5	9,0	3/8-24UNF	3/16	1,1	35,10	23,20	0,87	1 7/8
1 15/16	UC210-31	90	23	51,6	19,0	61,8	6,5	9,0	3/8-24UNF	3/16	1,1	35,10	23,20	0,82	1 15/16
2	UC211-32	100	25	55,6	22,2	69,0	7,2	9,0	3/8-24UNF	3/16	1,1	43,55	29,20	1,27	2
2 3/16	UC211-35	100	25	55,6	22,2	69,0	7,2	9,0	3/8-24UNF	3/16	1,1	43,55	29,20	1,10	2 3/16
2 1/4	UC212-36	110	27	65,1	25,4	74,9	8,2	10,5	3/8-24UNF	3/16	1,1	52,50	32,80	1,67	2 1/4
2 7/16	UC212-39	110	27	65,1	25,4	74,9	8,2	10,5	3/8-24UNF	3/16	1,1	52,50	32,80	1,45	2 7/16
2 1/2	UC213-40	120	28	65,1	25,4	82,0	8,0	12,0	3/8-24UNF	3/16	1,5	57,20	40,00	1,94	2 1/2
2 11/16	UC214-43	125	30	74,6	30,2	86,5	9,0	12,0	3/8-24UNF	3/16	2,0	62,00	45,00	2,02	2 11/16
2 3/4	UC214-44	125	30	74,6	30,2	86,5	9,0	12,0	7/16-20UNF	7/32	2,0	62,00	45,00	2,06	2 3/4
2 15/16	UC215-47	130	30	77,8	33,3	91,5	9,0	12,0	7/16-20UNF	7/32	2,0	66,00	49,50	2,30	2 15/16
3	UC215-48	130	30	77,8	33,3	91,5	9,0	12,0	7/16-20UNF	7/32	2,0	66,00	49,50	2,13	3
3 1/4	UC217-52	150	35	85,7	34,1	105,1	11,0	14,0	7/16-20UNF	7/32	2,0	83,20	63,80	3,32	3 1/4
3 1/2	UC218-56	160	37	96,0	39,7	111,0	12,0	14,0	1/2-20UNF	1/4	2,0	96,00	71,50	4,56	3 1/2

* width across flats (hexagon socket)

Bearing insert - inch

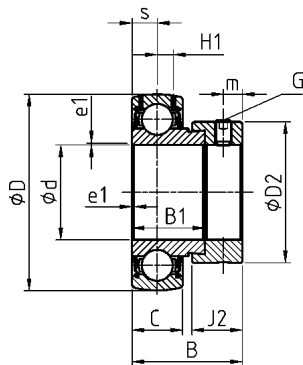
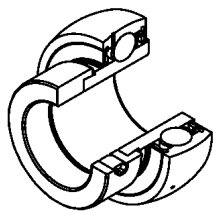
Bearing insert with set screws

US200 relubricatable



d [inch]	Insert	Main dimensions [mm]										C _r [kN]	C _{or} [kN]	Weight [kg]	d [inch]
		D	C	B1	s _{max}	D1	H1	m	G	a*	e1				
1/2	US201-08	40	12	22,0	6,0	24,6	3,6	4,0	10-32UNF	3/32	0,6	9,55	4,78	0,09	1/2
5/8	US202-10	40	12	22,0	6,0	24,6	3,6	4,0	10-32UNF	3/32	0,6	9,55	4,78	0,08	5/8
11/16	US203-11	40	12	22,0	6,0	24,6	3,6	4,0	10-32UNF	3/32	0,6	9,55	4,78	0,10	11/16
3/4	US204-12	47	14	25,0	7,0	29,0	4,0	5,0	1/4-28UNF	1/8	0,6	12,80	6,65	0,13	3/4
7/8	US205-14	52	15	27,0	7,5	34,0	4,3	5,5	1/4-28UNF	1/8	0,6	14,00	7,88	0,18	7/8
15/16	US205-15	52	15	27,0	7,5	34,0	4,3	5,5	1/4-28UNF	1/8	0,6	14,00	7,88	0,18	15/16
1	US205-16	52	15	27,0	7,5	34,0	4,3	5,5	1/4-28UNF	1/8	0,6	14,00	7,88	0,16	1
1 1/8	US206-18	62	16	30,0	8,0	40,3	5,0	6,0	1/4-28UNF	1/8	0,6	19,50	11,20	0,28	1 1/8
1 3/16	US206-19	62	16	30,0	8,0	40,3	5,0	6,0	1/4-28UNF	1/8	0,6	19,50	11,20	0,25	1 3/16
1 1/4	US206-20	62	16	30,0	8,0	40,3	5,0	6,0	1/4-28UNF	1/8	0,6	19,50	11,20	0,24	1 1/4
1 3/8	US207-22	72	17	32,0	8,5	48,0	5,7	6,5	5/16-24UNF	5/32	0,6	25,70	15,20	0,38	1 3/8
1 7/16	US207-23	72	17	32,0	8,5	48,0	5,7	6,5	5/16-24UNF	5/32	0,6	25,70	15,20	0,37	1 7/16
1 1/2	US208-24	80	18	34,0	9,0	53,0	6,2	7,0	5/16-24UNF	5/32	1,1	29,60	18,20	0,60	1 1/2
1 5/8	US209-26	85	19	41,2	10,2	57,2	6,5	8,2	5/16-24UNF	5/32	1,1	31,85	20,80	0,75	1 5/8
1 11/16	US209-27	85	19	41,2	10,2	57,2	6,5	8,2	5/16-24UNF	5/32	1,1	31,85	20,80	0,72	1 11/16
1 3/4	US209-28	85	19	41,2	10,2	57,2	6,5	8,2	5/16-24UNF	5/32	1,1	31,85	20,80	0,67	1 3/4
1 7/8	US210-30	90	20	43,5	10,9	61,8	6,5	9,2	5/16-24UNF	5/32	1,1	35,10	23,20	0,80	1 7/8
1 15/16	US210-31	90	20	43,5	10,9	61,8	6,5	9,2	5/16-24UNF	5/32	1,1	35,10	23,20	0,78	1 15/16
2	US211-32	100	23	45,3	11,8	69,0	7,2	9,8	5/16-24UNF	5/32	1,1	43,55	29,20	1,10	2
2 3/16	US211-35	100	23	45,3	11,8	69,0	7,2	9,8	5/16-24UNF	5/32	1,1	43,55	29,20	1,05	2 3/16
2 1/4	US212-36	110	24	53,7	14,9	74,9	8,0	9,8	3/8-24UNF	3/16	1,1	52,50	32,80	1,30	2 1/4
2 7/16	US212-39	110	24	53,7	14,9	74,9	8,0	9,8	3/8-24UNF	3/16	1,1	52,50	32,80	1,22	2 7/16

*width across flats (hexagon socket)

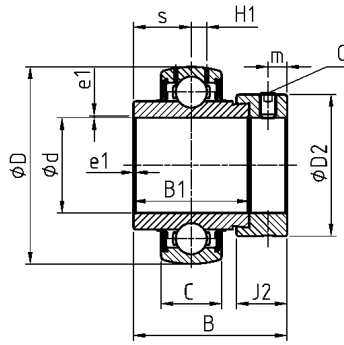
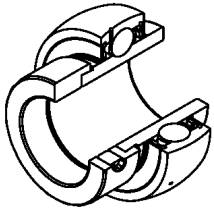


Shaft diameter		Insert		Main dimensions [mm]										Dynamic load rating		Static load rating		Weight		Shaft diameter	
d		D	C	B1	J2	B	s _{max}	D2	H1	m	G	a*	e1	C _r	C _{0r}	[kg]	d				
[inch]												[inch]		[kN]	[kN]		[inch]				
1/2	ES201-08	40	12	19,1	13,5	28,6	6,5	28,6	3,6	5,0	1/4-28UNF	1/8	0,6	9,55	4,78	0,14	1/2				
5/8	ES202-10	40	12	19,1	13,5	28,6	6,5	28,6	3,6	5,0	1/4-28UNF	1/8	0,6	9,55	4,78	0,13	5/8				
11/16	ES203-11	40	12	19,1	13,5	28,6	6,5	28,6	3,6	5,0	1/4-28UNF	1/8	0,6	9,55	4,78	0,13	11/16				
3/4	ES204-12	47	14	21,4	13,5	30,9	7,5	33,3	4,0	5,0	1/4-28UNF	1/8	0,6	12,80	6,65	0,15	3/4				
7/8	ES205-14	52	15	21,4	13,5	30,9	7,5	38,1	4,3	5,0	1/4-28UNF	1/8	0,6	14,00	7,88	0,19	7/8				
15/16	ES205-15	52	15	21,4	13,5	30,9	7,5	38,1	4,3	5,0	1/4-28UNF	1/8	0,6	14,00	7,88	0,19	15/16				
1	ES205-16	52	15	21,4	13,5	30,9	7,5	38,1	4,3	5,0	1/4-28UNF	1/8	0,6	14,00	7,88	0,18	1				
1 1/8	ES206-18	62	16	23,8	15,9	35,7	9,0	44,5	5,0	6,0	5/16-24UNF	5/32	0,6	19,50	11,20	0,35	1 1/8				
1 3/16	ES206-19	62	16	23,8	15,9	35,7	9,0	44,5	5,0	6,0	5/16-24UNF	5/32	0,6	19,50	11,20	0,31	1 3/16				
1 1/4	ES206-20	62	16	23,8	15,9	35,7	9,0	44,5	5,0	6,0	5/16-24UNF	5/32	0,6	19,50	11,20	0,28	1 1/4				
1 3/8	ES207-22	72	17	25,4	17,5	38,9	9,5	55,6	5,7	6,5	5/16-24UNF	5/32	1,1	25,70	15,20	0,51	1 3/8				
1 7/16	ES207-23	72	17	25,4	17,5	38,9	9,5	55,6	5,7	6,5	5/16-24UNF	5/32	1,1	25,70	15,20	0,48	1 7/16				
1 1/2	ES208-24	80	18	30,2	18,3	43,7	11,0	60,3	6,2	6,5	5/16-24UNF	5/32	1,1	29,60	18,20	0,68	1 1/2				
1 5/8	ES209-26	85	19	30,2	18,3	43,7	11,0	63,5	6,5	6,5	5/16-24UNF	5/32	1,1	31,85	20,80	0,82	1 5/8				
1 11/16	ES209-27	85	19	30,2	18,3	43,7	11,0	63,5	6,5	6,5	5/16-24UNF	5/32	1,1	31,85	20,80	0,76	1 11/16				
1 3/4	ES209-28	85	19	30,2	18,3	43,7	11,0	63,5	6,5	6,5	5/16-24UNF	5/32	1,1	31,85	20,80	0,73	1 3/4				
1 7/8	ES210-30	90	20	30,2	18,3	43,7	11,0	69,9	6,5	6,5	5/16-24UNF	5/32	1,1	35,10	23,20	0,85	1 7/8				
1 15/16	ES210-31	90	20	30,2	18,3	43,7	11,0	69,9	6,5	6,5	5/16-24UNF	5/32	1,1	35,10	23,20	0,83	1 15/16				
2	ES211-32	100	24	32,5	20,7	48,4	12,0	76,2	7,2	8,0	3/8-24UNF	3/16	1,1	43,55	29,20	1,18	2				
2 3/16	ES211-35	100	24	32,5	20,7	48,4	12,0	76,2	7,2	8,0	3/8-24UNF	3/16	1,1	43,55	29,20	0,81	2 3/16				
2 1/4	ES212-36	110	24	33,4	22,3	49,3	12,0	84,2	8,0	8,0	3/8-24UNF	3/16	1,1	52,50	32,80	1,30	2 1/4				
2 7/16	ES212-39	110	24	33,4	22,3	49,3	12,0	84,2	8,0	8,0	3/8-24UNF	3/16	1,1	52,50	32,80	1,09	2 7/16				

* width across flats (hexagon socket)

Bearing insert - inch

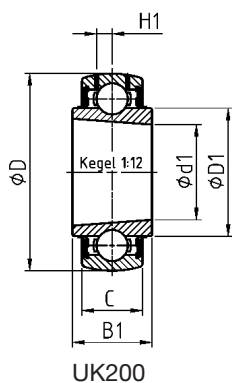
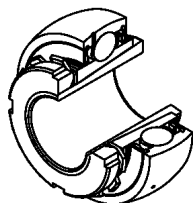
Bearing insert with eccentric locking collar EX200 relubricatable



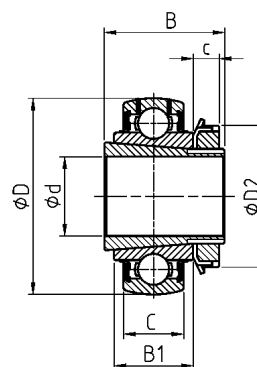
Shaft diameter		Main dimensions [mm]													Dynamic load rating		Static load rating	Weight	Shaft diameter
d	Insert	D	C	B1	J2	B	s _{max}	D2	H1	m	G	a*	e1	C _r	C _{0r}			d	
[inch]												[inch]		[kN]	[kN]	[kg]		[inch]	
1/2	EX201-08	47	16	34,0	13,5	43,5	17,0	33,3	4,4	5,0	1/4-28UNF	1/8	0,6	12,80	6,65	0,29		1/2	
5/8	EX202-10	47	16	34,0	13,5	43,5	17,0	33,3	4,4	5,0	1/4-28UNF	1/8	0,6	12,80	6,65	0,27		5/8	
11/16	EX203-11	47	16	34,0	13,5	43,5	17,0	33,3	4,4	5,0	1/4-28UNF	1/8	0,6	12,80	6,65	0,24		11/16	
3/4	EX204-12	47	16	34,0	13,5	43,5	17,0	33,3	4,4	5,0	1/4-28UNF	1/8	0,6	12,80	6,65	0,22		3/4	
7/8	EX205-14	52	17	34,8	13,5	44,3	17,4	38,1	4,3	5,0	1/4-28UNF	1/8	0,6	14,00	7,88	0,25		7/8	
15/16	EX205-15	52	17	34,8	13,5	44,3	17,4	38,1	4,3	5,0	1/4-28UNF	1/8	0,6	14,00	7,88	0,25		15/16	
1	EX205-16	52	17	34,8	13,5	44,3	17,4	38,1	4,3	5,0	1/4-28UNF	1/8	0,6	14,00	7,88	0,24		1	
1 1/8	EX206-18	62	19	36,4	15,9	48,3	18,2	44,5	5,0	6,0	5/16-24UNF	5/32	0,6	19,50	11,20	0,43		1 1/8	
1 3/16	EX206-19	62	19	36,4	15,9	48,3	18,2	44,5	5,0	6,0	5/16-24UNF	5/32	0,6	19,50	11,20	0,40		1 3/16	
1 1/4	EX206-20	62	19	36,4	15,9	48,3	18,2	44,5	5,0	6,0	5/16-24UNF	5/32	0,6	19,50	11,20	0,38		1 1/4	
1 3/8	EX207-22	72	20	37,6	17,5	51,1	18,8	55,6	5,8	6,5	5/16-24UNF	5/32	1,1	25,70	15,20	0,61		1 3/8	
1 7/16	EX207-23	72	20	37,6	17,5	51,1	18,8	55,6	5,8	6,5	5/16-24UNF	5/32	1,1	25,70	15,20	0,58		1 7/16	
1 1/2	EX208-24	80	21	42,8	18,3	56,3	21,4	60,3	6,3	6,5	5/16-24UNF	5/32	1,1	29,60	18,20	0,83		1 1/2	
1 5/8	EX209-26	85	22	42,8	18,3	56,3	21,4	63,5	6,8	6,5	5/16-24UNF	5/32	1,1	31,85	20,80	0,96		1 5/8	
1 11/16	EX209-27	85	22	42,8	18,3	56,3	21,4	63,5	6,8	6,5	5/16-24UNF	5/32	1,1	31,85	20,80	0,91		1 11/16	
1 3/4	EX209-28	85	22	42,8	18,3	56,3	21,4	63,5	6,8	6,5	5/16-24UNF	5/32	1,1	31,85	20,80	0,87		1 3/4	
1 7/8	EX210-30	90	23	49,2	18,3	62,7	24,6	69,9	6,5	6,5	5/16-24UNF	5/32	1,1	35,10	23,20	1,10		1 7/8	
1 15/16	EX210-31	90	23	49,2	18,3	62,7	24,6	69,9	6,5	6,5	5/16-24UNF	5/32	1,1	35,10	23,20	1,04		1 15/16	
2	EX211-32	100	25	55,4	20,7	71,3	27,7	76,2	7,2	8,0	3/8-24UNF	3/16	1,5	43,55	29,20	1,58		2	
2 3/16	EX211-35	100	25	55,4	20,7	71,3	27,7	76,2	7,2	8,0	3/8-24UNF	3/16	1,5	43,55	29,20	1,36		2 3/16	
2 1/4	EX212-36	110	27	61,8	22,3	77,7	30,9	84,2	8,2	8,0	3/8-24UNF	3/16	1,5	52,50	32,80	2,03		2 1/4	
2 7/16	EX212-39	110	27	61,8	22,3	77,7	30,9	84,2	8,2	8,0	3/8-24UNF	3/16	1,5	52,50	32,80	1,76		2 7/16	
2 1/2	EX213-40	120	28	68,2	23,5	85,7	34,1	86,0	8,0	8,5	3/8-24UNF	3/16	1,5	57,20	40,00	2,51		2 1/2	
2 11/16	EX214-43	125	30	68,2	23,5	85,7	34,1	96,8	9,0	8,5	3/8-24UNF	3/16	2,0	62,00	45,00	2,62		2 11/16	
2 3/4	EX214-44	125	30	68,2	23,5	85,7	34,1	96,8	9,0	8,5	3/8-24UNF	3/16	2,0	62,00	45,00	2,58		2 3/4	
2 15/16	EX215-47	130	30	74,6	23,9	92,1	37,3	102,0	9,0	8,5	3/8-24UNF	3/16	2,0	66,00	49,50	2,80		2 15/16	
3	EX215-48	130	30	74,6	23,9	92,1	37,3	102,0	9,0	8,5	3/8-24UNF	3/16	2,0	66,00	49,50	2,74		3	
3 1/4	EX217-52	150	35	53,2	27,0	73,2	23,4	119,0	11,0	10,0	7/16-20UNF	7/32	2,0	83,20	63,80	3,65		3 1/4	
3 1/2	EX218-56	160	37	55,0	24,0	72,5	24,5	120,0	10,3	9,5	7/16-20UNF	7/32	2,0	96,00	71,50	5,00		3 1/2	

* width across flats (hexagon socket)

Bearing insert with adapter sleeve UK200+H relubricatable



UK200



UK200 + H

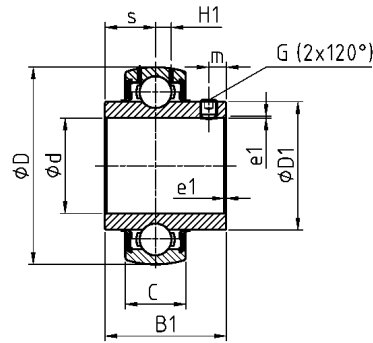
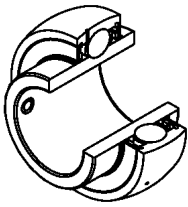
Shaft diameter		Insert+ Adapter sleeve		Main dimensions [mm]							Insert		Adapter sleeve		Dynamic load rating	Static load rating	Total weight	Weight Insert	Shaft diameter
d		D	C	B1	c	B	d1	D1	D2	H1			C _r	C _{0r}	[kg]	[kg]	d		
[inch]													[kN]	[kN]			[inch]		
3/4	UK205+H-12	52	17	21	8,0	35	25	34,0	38	4,3	UK205	H2305-12	14,00	7,88	0,24	0,15	3/4		
7/8	UK206+H-14	62	19	25	8,0	38	30	40,3	45	5,0	UK206	H2306-14	19,50	11,20	0,40	0,25	7/8		
15/16	UK206+H-15	62	19	25	8,0	38	30	40,3	45	5,0	UK206	H2306-15	19,50	11,20	0,39	0,25	15/16		
1	UK206+H-16	62	19	25	8,0	38	30	40,3	45	5,0	UK206	H2306-16	19,50	11,20	0,36	0,25	1		
1 1/8	UK207+H-18	72	20	27	9,0	43	35	48,0	52	5,8	UK207	H2307-18	25,70	15,20	0,55	0,37	1 1/8		
1 3/16	UK207+H-19	72	20	27	9,0	43	35	48,0	52	5,8	UK207	H2307-19	25,70	15,20	0,53	0,37	1 3/16		
1 1/4	UK208+H-20	80	21	29	10,0	46	40	53,0	58	6,3	UK208	H2308-20	29,60	18,20	0,76	0,48	1 1/4		
1 3/8	UK208+H-22	80	21	29	10,0	46	40	53,0	58	6,3	UK208	H2308-22	29,60	18,20	0,74	0,48	1 3/8		
1 7/16	UK209+H-23	85	22	30	11,0	50	45	57,2	65	6,8	UK209	H2309-23	31,85	20,80	0,80	0,53	1 7/16		
1 1/2	UK209+H-24	85	22	30	11,0	50	45	57,2	65	6,8	UK209	H2309-24	31,85	20,80	0,84	0,53	1 1/2		
1 5/8	UK210+H-26	90	23	31	12,0	55	50	61,8	70	6,5	UK210	H2310-26	35,10	23,20	1,00	0,59	1 5/8		
1 11/16	UK210+H-27	90	23	31	12,0	55	50	61,8	70	6,5	UK210	H2310-27	35,10	23,20	0,99	0,59	1 11/16		
1 3/4	UK210+H-28	90	23	31	12,0	55	50	61,8	70	6,5	UK210	H2310-28	35,10	23,20	0,95	0,59	1 3/4		
1 7/8	UK211+H-30	100	25	33	12,5	59	55	69,0	75	7,2	UK211	H2311-30	43,55	29,20	1,20	0,77	1 7/8		
1 15/16	UK211+H-31	100	25	33	12,5	59	55	69,0	75	7,2	UK211	H2311-31	43,55	29,20	1,19	0,77	1 15/16		
2	UK211+H-32	100	25	33	12,5	59	55	69,0	75	7,2	UK211	H2311-32	43,55	29,20	1,13	0,77	2		
2 3/16	UK213+H-35	120	28	36	14,0	65	65	82,0	85	8,0	UK213	H2313-35	57,20	40,00	2,11	1,36	2 3/16		
2 1/4	UK213+H-36	120	28	36	14,0	65	65	82,0	85	8,0	UK213	H2313-36	57,20	40,00	2,01	1,36	2 1/4		
2 7/16	UK215+H-39	130	30	41	15,0	73	75	91,5	98	9,0	UK215	H2315-39	66,00	49,50	2,82	1,67	2 7/16		
2 1/2	UK215+H-40	130	30	41	15,0	73	75	91,5	98	9,0	UK215	H2315-40	66,00	49,50	2,81	1,67	2 1/2		
2 11/16	UK216+H-43	140	33	44	17,0	78	80	98,0	105	10,3	UK216	H2316-43	72,50	54,20	3,26	1,96	2 11/16		
2 3/4	UK216+H-44	140	33	44	17,0	78	80	98,0	105	10,3	UK216	H2316-44	72,50	54,20	3,16	1,96	2 3/4		
2 15/16	UK217+H-47	150	35	44	18,0	82	85	105,1	110	11,0	UK217	H2317-47	83,20	63,80	3,82	2,42	2 15/16		
3	UK217+H-48	150	35	44	18,0	82	85	105,1	110	11,0	UK217	H2317-48	83,20	63,80	3,72	2,42	3		

Please find the size of the appropriate hook spanner on page 22

Bearing insert - inch

Bearing insert with set screws

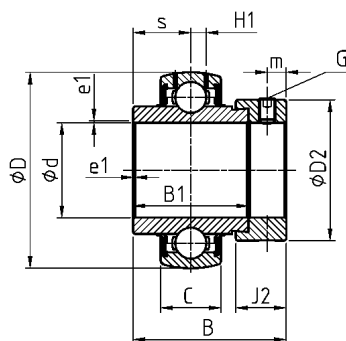
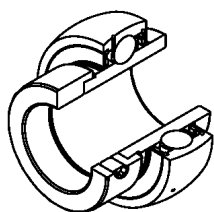
UC300 relubricatable



Shaft diameter	Insert	Main dimensions [mm]										Dynamic load rating	Static load rating	Weight	Shaft diameter
d [inch]		D	C	B1	s _{max}	D1	H1	m	G	a* [inch]	e1	C _r [kN]	C _{or} [kN]	[kg]	d [inch]
7/8	UC305-14	62	21	38	15	35,4	6,2	6	1/4-28UNF	1/8	1,5	22,36	11,50	0,35	7 / 8
15/16	UC305-15	62	21	38	15	35,4	6,2	6	1/4-28UNF	1/8	1,5	22,36	11,50	0,35	15/16
1	UC305-16	62	21	38	15	35,4	6,2	6	1/4-28UNF	1/8	1,5	22,36	11,50	0,34	1
1 1/8	UC306-18	72	24	43	17	44,6	6,5	6	1/4-28UNF	1/8	1,5	27,00	15,20	0,58	1 1/8
1 3/16	UC306-19	72	24	43	17	44,6	6,5	6	1/4-28UNF	1/8	1,5	27,00	15,20	0,56	1 3/16
1 1/4	UC307-20	80	25	48	19	48,9	7,2	8	5/16-24UNF	5/32	2,0	33,50	19,20	0,77	1 1/4
1 3/8	UC307-22	80	25	48	19	48,9	7,2	8	5/16-24UNF	5/32	2,0	33,50	19,20	0,71	1 3/8
1 7/16	UC307-23	80	25	48	19	48,9	7,2	8	5/16-24UNF	5/32	2,0	33,50	19,20	0,70	1 7/16
1 1/2	UC308-24	90	28	52	19	56,5	8,5	10	3/8-24UNF	3/16	2,0	40,56	24,00	1,00	1 1/2
1 5/8	UC309-26	100	30	57	22	61,8	9,0	10	3/8-24UNF	3/16	2,0	53,00	31,80	1,36	1 5/8
1 11/16	UC309-27	100	30	57	22	61,8	9,0	10	3/8-24UNF	3/16	2,0	53,00	31,80	1,33	1 11/16
1 3/4	UC309-28	100	30	57	22	61,8	9,0	10	3/8-24UNF	3/16	2,0	53,00	31,80	1,30	1 3/4
1 7/8	UC310-30	110	32	61	22	68,7	9,9	12	7/16-20UNF	7/32	2,0	62,00	37,80	1,74	1 7/8
1 15/16	UC310-31	110	32	61	22	68,7	9,9	12	7/16-20UNF	7/32	2,0	62,00	37,80	1,68	1 15/16
2	UC311-32	120	34	66	25	74,9	10,6	12	7/16-20UNF	7/32	2,0	71,50	44,80	2,08	2
2 3/16	UC311-35	120	34	66	25	74,9	10,6	12	7/16-20UNF	7/32	2,0	71,50	44,80	1,87	2 3/16
2 1/4	UC312-36	130	36	71	26	81,0	11,3	12	7/16-20UNF	7/32	2,0	81,60	51,80	2,65	2 1/4
2 7/16	UC312-39	130	36	71	26	81,0	11,3	12	7/16-20UNF	7/32	2,0	81,60	51,80	2,50	2 7/16
2 1/2	UC313-40	140	38	75	30	87,5	12,1	12	7/16-20UNF	7/32	2,0	93,86	60,50	3,30	2 1/2
2 11/16	UC314-43	150	40	78	33	94,0	12,8	12	7/16-20UNF	7/32	2,5	104,26	68,00	4,00	2 11/16
2 3/4	UC314-44	150	40	78	33	94,0	12,8	12	7/16-20UNF	7/32	2,5	104,26	68,00	3,96	2 3/4
2 15/16	UC315-47	160	42	82	32	100,5	13,5	14	1/2-20UNF	1/4	2,5	113,36	76,80	4,29	2 15/16
3	UC315-48	160	42	82	32	100,5	13,5	14	1/2-20UNF	1/4	2,5	113,36	76,80	4,24	3
3 1/4	UC317-52	180	46	96	40	114,0	15,5	16	5/8-18UNF	5/16	3,0	132,60	96,50	6,76	3 1/4
3 1/2	UC318-56	190	48	96	40	120,0	16,5	16	5/8-18UNF	5/16	3,5	143,00	108,00	8,03	3 1/2
3 15/16	UC320-63	215	54	108	42	134,5	19,0	18	5/8-18UNF	5/16	3,5	171,60	140,00	11,00	3 15/16

* width across flats (hexagon socket)

Bearing insert with eccentric locking collar EX300 relubricatable

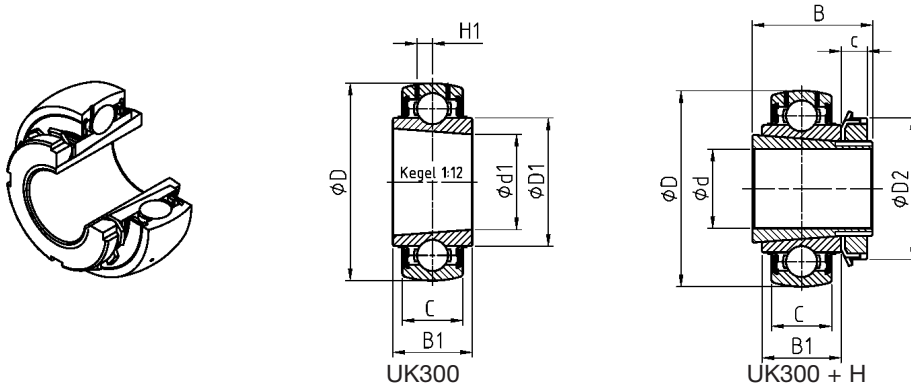


Shaft diameter	Insert	Main dimensions [mm]											Dynamic load rating	Static load rating	Weight	Shaft diameter	
d [inch]		D	C	B1	J2	B	s _{max}	D2	H1	m	G	a* [inch]	e1	C _r [kN]	C _{0r} [kN]	[kg]	d [inch]
7/8	EX305-14	62	21	34,9	15,9	46,8	16,7	42,8	6,2	6,0	5/16-24UNF	5/32	1,5	22,36	11,50	0,43	7/8
15/16	EX305-15	62	21	34,9	15,9	46,8	16,7	42,8	6,2	6,0	5/16-24UNF	5/32	1,5	22,36	11,50	0,43	15/16
1	EX305-16	62	21	34,9	15,9	46,8	16,7	42,8	6,2	6,0	5/16-24UNF	5/32	1,5	22,36	11,50	0,43	1
1 1/8	EX306-18	72	24	36,5	17,5	50,0	17,5	50,0	6,5	6,7	5/16-24UNF	5/32	1,5	27,00	15,20	0,71	1 1/8
1 3/16	EX306-19	72	24	36,5	17,5	50,0	17,5	50,0	6,5	6,7	5/16-24UNF	5/32	1,5	27,00	15,20	0,68	1 3/16
1 1/4	EX307-20	80	25	38,1	17,5	51,6	18,3	55,0	7,2	6,7	5/16-24UNF	5/32	2,0	33,50	19,20	0,86	1 1/4
1 3/8	EX307-22	80	25	38,1	17,5	51,6	18,3	55,0	7,2	6,7	5/16-24UNF	5/32	2,0	33,50	19,20	0,80	1 3/8
1 7/16	EX307-23	80	25	38,1	17,5	51,6	18,3	55,0	7,2	6,7	5/16-24UNF	5/32	2,0	33,50	19,20	0,78	1 7/16
1 1/2	EX308-24	90	28	41,3	20,6	57,1	19,8	63,5	8,5	8,0	3/8-24UNF	3/16	2,0	40,56	24,00	1,13	1 1/2
1 5/8	EX309-26	100	30	42,9	20,6	58,7	19,8	70,0	9,0	8,0	3/8-24UNF	3/16	2,0	53,00	31,80	1,57	1 5/8
1 11/16	EX309-27	100	30	42,9	20,6	58,7	19,8	70,0	9,0	8,0	3/8-24UNF	3/16	2,0	53,00	31,80	1,52	1 11/16
1 3/4	EX309-28	100	30	42,9	20,6	58,7	19,8	70,0	9,0	8,0	3/8-24UNF	3/16	2,0	53,00	31,80	1,47	1 3/4
1 7/8	EX310-30	110	32	49,2	22,2	66,6	24,6	76,2	9,9	8,7	3/8-24UNF	3/16	2,0	62,00	37,80	1,93	1 7/8
1 15/16	EX310-31	110	32	49,2	22,2	66,6	24,6	76,2	9,9	8,7	3/8-24UNF	3/16	2,0	62,00	37,80	1,88	1 15/16
2	EX311-32	120	34	55,6	22,2	73,0	27,8	83,0	10,6	9,0	3/8-24UNF	3/16	2,0	71,50	44,80	2,49	2
2 3/16	EX311-35	120	34	55,6	22,2	73,0	27,8	83,0	10,6	9,0	3/8-24UNF	3/16	2,0	71,50	44,80	2,24	2 3/16
2 1/4	EX312-36	130	36	61,9	23,9	79,4	31,0	89,0	11,3	9,0	3/8-24UNF	3/16	2,0	81,60	51,80	2,95	2 1/4
2 7/16	EX312-39	130	36	61,9	23,9	79,4	31,0	89,0	11,3	9,0	3/8-24UNF	3/16	2,0	81,60	51,80	2,86	2 7/16
2 1/2	EX313-40	140	38	65,1	27,0	85,7	32,5	97,0	12,1	11,5	7/16-20UNF	7/32	2,0	93,86	60,50	3,85	2 1/2
2 11/16	EX314-43	150	40	68,3	30,2	92,1	34,2	102,0	12,8	12,0	7/16-20UNF	7/32	2,5	104,26	68,00	4,45	2 11/16
2 3/4	EX314-44	150	40	68,3	30,2	92,1	34,2	102,0	12,8	12,0	7/16-20UNF	7/32	2,5	104,26	68,00	4,40	2 3/4
2 15/16	EX315-47	160	42	74,6	31,8	100,0	37,3	113,0	13,5	13,0	5/8-18UNF	5/16	2,5	113,36	76,80	5,40	2 15/16
3	EX315-48	160	42	74,6	31,8	100,0	37,3	113,0	13,5	13,0	5/8-18UNF	5/16	2,5	113,36	76,80	5,28	3
3 1/4	EX317-52	180	46	84,1	31,8	109,5	42,0	127,0	15,5	14,0	5/8-18UNF	5/16	3,0	132,60	96,50	7,88	3 1/4
3 1/2	EX318-56	190	48	87,3	36,5	87,3	43,6	133,0	16,5	15,0	3/4-16UNF	3/8	3,0	143,00	108,00	9,20	3 1/2
3 15/16	EX320-63	215	54	100,0	36,5	128,6	50,0	146,0	19,0	16,0	3/4-16UNF	3/8	3,5	171,60	140,00	12,85	3 15/16

* width across flats (hexagon socket)

Bearing insert - inch

Bearing insert with adapter sleeve UK300+H relubricatable

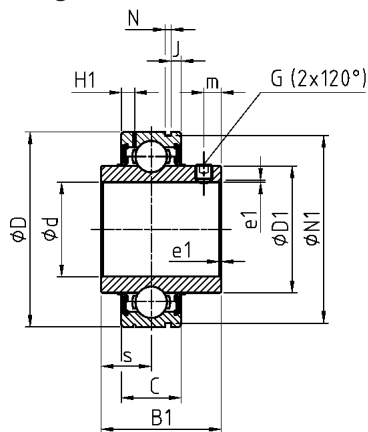
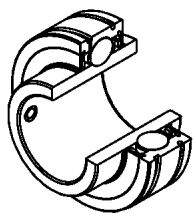


Main dimensions [mm]		Main dimensions [mm]															Dynamic load rating		Static load rating		Total weight		Weight insert		Shaft diameter
Shaft diameter	Insert+ Adapter sleeve	D	C	B1	c	B	d1	D1	D2	H1	Insert	Adapter sleeve	C_r	C_{or}	[kg]	[kg]	[kg]	[kg]	d						
[inch]													[kN]	[kN]					[inch]						
3/4	UK305+H-12	62	21	27	8,0	35	25	35,4	38	6,2	UK305	H2305-12	22,36	11,50	0,49	0,40			3/4						
7/8	UK306+H-14	72	24	30	8,0	38	30	44,6	45	6,5	UK306	H2306-14	27,00	15,20	0,61	0,46			7/8						
15/16	UK306+H-15	72	24	30	8,0	38	30	44,6	45	6,5	UK306	H2306-15	27,00	15,20	0,60	0,46			15/16						
1	UK306+H-16	72	24	30	8,0	38	30	44,6	45	6,5	UK306	H2306-16	27,00	15,20	0,57	0,46			1						
1 1/8	UK307+H-18	80	25	33	9,0	43	35	48,9	52	7,2	UK307	H2307-18	33,50	19,20	0,93	0,75			1 1/8						
1 3/16	UK307+H-19	80	25	33	9,0	43	35	48,9	52	7,2	UK307	H2307-19	33,50	19,20	0,91	0,75			1 3/16						
1 1/4	UK308+H-20	90	28	35	10,0	46	40	56,5	58	8,5	UK308	H2308-20	40,56	24,00	1,09	0,81			1 1/4						
1 3/8	UK308+H-22	90	28	35	10,0	46	40	56,5	58	8,5	UK308	H2308-22	40,56	24,00	1,09	0,81			1 3/8						
1 7/16	UK309+H-23	100	30	38	11,0	50	45	61,8	65	9,0	UK309	H2309-23	53,00	31,80	1,46	1,19			1 7/16						
1 1/2	UK309+H-24	100	30	38	11,0	50	45	61,8	65	9,0	UK309	H2309-24	53,00	31,80	1,50	1,19			1 1/2						
1 5/8	UK310+H-26	110	32	40	12,0	55	50	68,7	70	9,9	UK310	H2310-26	62,00	37,80	1,68	1,38			1 5/8						
1 11/16	UK310+H-27	110	32	40	12,0	55	50	68,7	70	9,9	UK310	H2310-27	62,00	37,80	1,78	1,38			1 11/16						
1 3/4	UK310+H-28	110	32	40	12,0	55	50	68,7	70	9,9	UK310	H2310-28	62,00	37,80	1,74	1,38			1 3/4						
1 7/8	UK311+H-30	120	34	43	12,5	59	55	74,9	75	10,6	UK311	H2311-30	71,50	44,80	2,21	1,78			1 7/8						
1 15/16	UK311+H-31	120	34	43	12,5	59	55	74,9	75	10,6	UK311	H2311-31	71,50	44,80	2,20	1,78			1 15/16						
2	UK311+H-32	120	34	43	12,5	59	55	74,9	75	10,6	UK311	H2311-32	71,50	44,80	2,14	1,78			2						
2 3/16	UK313+H-35	140	38	49	14,0	65	65	87,5	85	12,1	UK313	H2313-35	93,86	60,50	3,46	2,71			2 3/16						
2 1/4	UK313+H-36	140	38	49	14,0	65	65	87,5	85	12,1	UK313	H2313-36	93,86	60,50	3,36	2,71			2 1/4						
2 7/16	UK315+H-39	160	42	55	15,0	73	75	100,5	98	13,5	UK315	H2315-39	113,36	76,80	5,13	3,98			2 7/16						
2 1/2	UK315+H-40	160	42	55	15,0	73	75	100,5	98	13,5	UK315	H2315-40	113,36	76,80	5,10	3,98			2 1/2						
2 11/16	UK316+H-43	170	44	55	17,0	78	80	107,9	105	14,5	UK316	H2316-43	122,85	86,50	5,85	4,55			2 11/16						
2 3/4	UK316+H-44	170	44	55	17,0	78	80	107,9	105	14,5	UK316	H2316-44	122,85	86,50	5,75	4,55			2 3/4						
2 15/16	UK317+H-47	180	46	60	18,0	82	85	114,0	110	15,5	UK317	H2317-47	132,60	96,50	6,84	5,44			2 15/16						
3	UK317+H-48	180	46	60	18,0	82	85	114,0	110	15,5	UK317	H2317-48	132,60	96,50	6,74	5,44			3						
3 1/4	UK319+H-55	200	50	66	19,0	90	95	126,5	125	16,7	UK319	H2319-55	156,00	122,00	9,66	7,31			3 1/4						
3 1/2	UK320+H-56	215	54	68	20,0	97	100	134,5	130	19,0	UK320	H2320-56	171,60	140,00	10,62	8,82			3 1/2						

Please find the size of the appropriate hook spanner on page 22

Bearing insert with cylindrical outer ring

CUC200 relubricatable and set screws



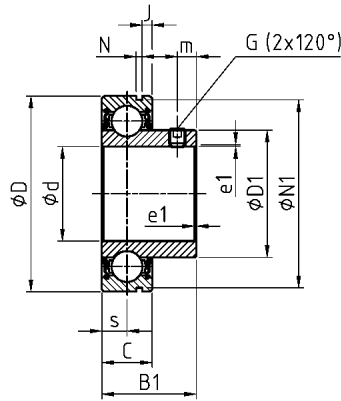
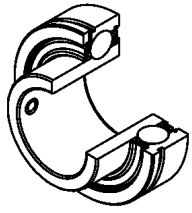
Shaft diameter	Insert	Main dimensions [mm]											Dynamic load rating	Static load rating	Weight	Shaft diameter		
d [inch]		D	C	B1	s_{max}	D1	H1	m	N	J	N1	G	a^* [inch]	e1	C_r [kN]	C_{or} [kN]	[kg]	d [inch]
3/4	CUC204-12	47	17	31,0	12,7	29,0	4,0	4,5	1,35	3,1	44,60	1/4-28UNF	1/8	0,6	12,80	6,65	0,20	3/4
7/8	CUC205-14	52	17	34,0	14,3	34,0	4,1	5,0	1,35	3,2	49,73	1/4-28UNF	1/8	0,6	14,00	7,88	0,21	7/8
15/16	CUC205-15	52	17	34,0	14,3	34,0	4,1	5,0	1,35	3,2	49,73	1/4-28UNF	1/8	0,6	14,00	7,88	0,21	15/16
1	CUC205-16	52	17	34,0	14,3	34,0	4,1	5,0	1,35	3,2	49,73	1/4-28UNF	1/8	0,6	14,00	7,88	0,21	1
1 1/8	CUC206-18	62	19	38,1	15,9	40,3	4,2	5,5	1,90	3,2	59,61	1/4-28UNF	1/8	0,6	19,50	11,20	0,34	1 1/8
1 3/16	CUC206-19	62	19	38,1	15,9	40,3	4,2	5,5	1,90	3,2	59,61	1/4-28UNF	1/8	0,6	19,50	11,20	0,31	1 3/16
1 1/4	CUC206-20	62	19	38,1	15,9	40,3	4,2	5,5	1,90	3,2	59,61	1/4-28UNF	1/8	0,6	19,50	11,20	0,30	1 1/4
1 3/8	CUC207-22	72	20	42,9	17,5	46,9	5,0	6,5	1,90	3,3	68,81	5/16-24UNF	5/32	1,1	25,70	15,20	0,48	1 3/8
1 7/16	CUC207-23	72	20	42,9	17,5	46,9	5,0	6,5	1,90	3,3	68,81	5/16-24UNF	5/32	1,1	25,70	15,20	0,45	1 7/16
1 1/2	CUC208-24	80	21	49,2	19,0	53,0	5,0	8,0	1,90	3,4	76,81	5/16-24UNF	5/32	1,1	29,60	18,20	0,68	1 1/2
1 5/8	CUC209-26	85	22	49,2	19,0	57,2	5,1	8,0	1,90	3,5	81,81	5/16-24UNF	5/32	1,1	31,85	20,80	0,78	1 5/8
1 11/16	CUC209-27	85	22	49,2	19,0	57,2	5,1	8,0	1,90	3,5	81,81	5/16-24UNF	5/32	1,1	31,85	20,80	0,74	1 11/16
1 3/4	CUC209-28	85	22	49,2	19,0	57,2	5,1	8,0	1,90	3,5	81,81	5/16-24UNF	5/32	1,1	31,85	20,80	0,70	1 3/4
1 7/8	CUC210-30	90	23	51,6	19,0	61,8	5,6	9,0	2,70	3,7	86,79	3/8-24UNF	3/16	1,1	35,10	23,20	0,80	1 7/8
1 15/16	CUC210-31	90	23	51,6	19,0	61,8	5,6	9,0	2,70	3,7	86,79	3/8-24UNF	3/16	1,1	35,10	23,20	0,82	1 15/16

* width across flats (hexagon socket)

Bearing insert - inch

Bearing insert with cylindrical outer ring and set screws

CUS200

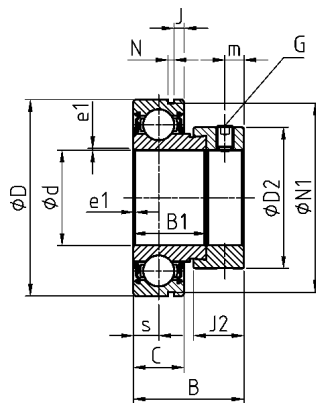
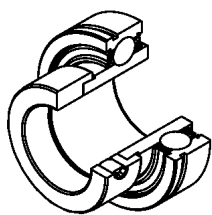


Shaft diameter	Insert	Main dimensions [mm]											Dynamic load rating	Static load rating	Weight	Shaft diameter	
d [inch]		D	C	B1	s_{max}	D1	m	N	J	N1	G	a^* [inch]	e1	C_r [kN]	C_{or} [kN]	[kg]	d [inch]
3/4	CUS204-12	47	14	25,0	7,0	28,3	5	1,35	2,38	44,60	1/4-28UNF	1/8	1,0	12,80	6,65	0,13	3/4
7/8	CUS205-14	52	15	27,0	7,5	34,0	5	1,35	2,38	49,73	1/4-28UNF	1/8	1,0	14,00	7,88	0,18	7/8
15/16	CUS205-15	52	15	27,0	7,5	34,0	5	1,35	2,38	49,73	1/4-28UNF	1/8	1,0	14,00	7,88	0,18	15/16
1	CUS205-16	52	15	27,0	7,5	34,0	5	1,35	2,38	49,73	1/4-28UNF	1/8	1,0	14,00	7,88	0,18	1
1 1/8	CUS206-18	62	16	30,0	8,0	40,0	5,5	1,90	3,18	59,61	1/4-28UNF	1/8	1,0	19,50	11,20	0,28	1 1/8
1 3/16	CUS206-19	62	16	30,0	8,0	40,0	5,5	1,90	3,18	59,61	1/4-28UNF	1/8	1,0	19,50	11,20	0,25	1 3/16
1 1/4	CUS206-20	62	16	30,0	8,0	40,0	5,5	1,90	3,18	59,61	1/4-28UNF	1/8	1,0	19,50	11,20	0,24	1 1/4
1 3/8	CUS207-22	72	17	32,0	8,5	46,9	6	1,90	3,18	68,81	1/4-28UNF	1/8	1,0	25,70	15,20	0,38	1 3/8
1 7/16	CUS207-23	72	17	32,0	8,5	46,9	6	1,90	3,18	68,81	1/4-28UNF	1/8	1,0	25,70	15,20	0,37	1 7/16
1 1/2	CUS208-24	80	18	34,0	9,0	52,4	8	1,90	3,18	76,81	5/16-24UNF	5/32	1,0	29,60	18,20	0,60	1 1/2
1 5/8	CUS209-26	85	19	41,2	9,5	57,6	8	1,90	3,18	81,81	5/16-24UNF	5/32	1,5	31,85	20,80	0,75	1 5/8
1 11/16	CUS209-27	85	19	41,2	9,5	57,6	8	1,90	3,18	81,81	5/16-24UNF	5/32	1,5	31,85	20,80	0,72	1 11/16
1 3/4	CUS209-28	85	19	41,2	9,5	57,6	8	1,90	3,18	81,81	5/16-24UNF	5/32	1,5	31,85	20,80	0,67	1 3/4
1 7/8	CUS210-30	90	20	43,5	10,0	63,2	9	2,70	3,70	86,79	5/16-24UNF	5/32	1,5	35,10	23,20	0,80	1 7/8
1 15/16	CUS210-31	90	20	43,5	10,0	63,2	9	2,70	3,70	86,79	5/16-24UNF	5/32	1,5	35,10	23,20	0,78	1 15/16

* width across flats (hexagon socket)

Bearing insert with cylindrical outer ring and eccentric locking collar

CES200



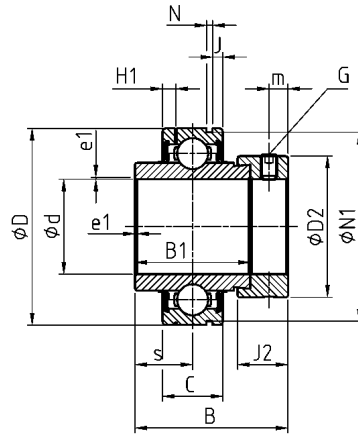
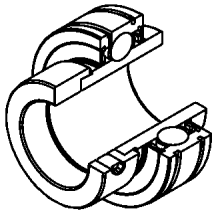
Shaft diameter		Main dimensions [mm]																		Dynamic load rating			Static load rating	Weight	Shaft diameter
d	Insert	D	C	B1	J2	B	s _{max}	D2	m	N	J	N1	G	a*	e1	C _r	C _{or}			d					
[inch]														[inch]		[kN]	[kN]	[kg]		[inch]					
3/4	CES204-12	47	14	21,5	13,5	31,0	7,0	33,3	5,0	1,35	2,38	44,60	1/4-28UNF	1/8	1,0	12,80	6,65	0,15		3/4					
7/8	CES205-14	52	15	21,5	13,5	31,0	7,5	38,1	5,0	1,35	2,38	49,73	1/4-28UNF	1/8	1,0	14,00	7,88	0,19		7/8					
15/16	CES205-15	52	15	21,5	13,5	31,0	7,5	38,1	5,0	1,35	2,38	49,73	1/4-28UNF	1/8	1,0	14,00	7,88	0,19		15/16					
1	CES205-16	52	15	21,5	13,5	31,0	7,5	38,1	5,0	1,35	2,38	49,73	1/4-28UNF	1/8	1,0	14,00	7,88	0,18		1					
1 1/8	CES206-18	62	16	23,8	15,9	35,7	8,0	44,5	6,0	1,90	3,18	59,61	5/16-24UNF	5/32	1,0	19,50	11,20	0,35	1	1/8					
1 3/16	CES206-19	62	16	23,8	15,9	35,7	8,0	44,5	6,0	1,90	3,18	59,61	5/16-24UNF	5/32	1,0	19,50	11,20	0,31	1	3/16					
1 1/4	CES206-20	62	16	23,8	15,9	35,7	8,0	44,5	6,0	1,90	3,18	59,61	5/16-24UNF	5/32	1,0	19,50	11,20	0,28	1	1/4					
1 3/8	CES207-22	72	17	25,4	17,5	38,9	8,5	55,6	6,5	1,90	3,18	68,81	5/16-24UNF	5/32	1,5	25,70	15,20	0,51	1	3/8					
1 7/16	CES207-23	72	17	25,4	17,5	38,9	8,5	55,6	6,5	1,90	3,18	68,81	5/16-24UNF	5/32	1,5	25,70	15,20	0,48	1	7/16					
1 1/2	CES208-24	80	18	30,2	18,3	43,7	9,0	60,3	6,5	1,90	3,18	76,81	5/16-24UNF	5/32	1,5	29,60	18,20	0,68	1	1/2					
1 5/8	CES209-26	85	19	30,2	18,3	43,7	9,5	63,5	6,5	1,90	3,18	81,81	5/16-24UNF	5/32	1,5	31,85	20,80	0,82	1	5/8					
1 11/16	CES209-27	85	19	30,2	18,3	43,7	9,5	63,5	6,5	1,90	3,18	81,81	5/16-24UNF	5/32	1,5	31,85	20,80	0,76	1	11/16					
1 3/4	CES209-28	85	19	30,2	18,3	43,7	9,5	63,5	6,5	1,90	3,18	81,81	5/16-24UNF	5/32	1,5	31,85	20,80	0,73	1	3/4					
1 7/8	CES210-30	90	20	30,2	18,3	43,7	10,0	69,9	6,5	2,70	3,70	86,79	5/16-24UNF	5/32	1,5	35,10	23,20	0,85	1	7/8					
1 15/16	CES210-31	90	20	30,2	18,3	43,7	10,0	69,9	6,5	2,70	3,70	86,79	5/16-24UNF	5/32	1,5	35,10	23,20	0,83	1	15/16					

* width across flats (hexagon socket)

Bearing insert - inch

Bearing insert with cylindrical outer ring
eccentric locking collar

CEX200 relubricatable and



Shaft diameter		Main dimensions [mm]																	Dynamic load rating			Static load rating	Weight	Shaft diameter
d	Insert	D	C	B1	J2	B	s _{max}	D2	H1	m	N	J	N1	G	a*	e1	C _r	C _{0r}			d			
[inch]															[inch]		[kN]	[kN]	[kg]		[inch]			
3/4	CEX204-12	47	17	34,2	13,5	43,7	17,1	33,3	4,0	5,0	1,35	3,1	44,60	1/4-28UNF	1/8	1,0	12,80	6,65	0,22		3/4			
7/8	CEX205-14	52	17	34,9	13,5	44,4	17,5	38,1	4,1	5,0	1,35	3,2	49,73	1/4-28UNF	1/8	1,0	14,00	7,88	0,25		7/8			
15/16	CEX205-15	52	17	34,9	13,5	44,4	17,5	38,1	4,1	5,0	1,35	3,2	49,73	1/4-28UNF	1/8	1,0	14,00	7,88	0,25		15/16			
1	CEX205-16	52	17	34,9	13,5	44,4	17,5	38,1	4,1	5,0	1,35	3,2	49,73	1/4-28UNF	1/8	1,0	14,00	7,88	0,24		1			
1 1/8	CEX206-18	62	19	36,5	15,9	48,4	18,3	44,5	4,2	6,0	1,90	3,2	59,61	5/16-24UNF	5/32	1,0	19,50	11,20	0,43		1 1/8			
1 3/16	CEX206-19	62	19	36,5	15,9	48,4	18,3	44,5	4,2	6,0	1,90	3,2	59,61	5/16-24UNF	5/32	1,0	19,50	11,20	0,40		1 3/16			
1 1/4	CEX206-20	62	19	36,5	15,9	48,4	18,3	44,5	4,2	6,0	1,90	3,2	59,61	5/16-24UNF	5/32	1,0	19,50	11,20	0,38		1 1/4			
1 3/8	CEX207-22	72	20	37,6	17,5	51,1	18,8	55,5	5,0	6,5	1,90	3,3	68,81	5/16-24UNF	5/32	1,5	25,70	15,20	0,61		1 3/8			
1 7/16	CEX207-23	72	20	37,6	17,5	51,1	18,8	55,5	5,0	6,5	1,90	3,3	68,81	5/16-24UNF	5/32	1,5	25,70	15,20	0,58		1 7/16			
1 1/2	CEX208-24	80	21	42,8	18,3	56,3	21,4	60,3	5,0	6,5	1,90	3,4	76,81	5/16-24UNF	5/32	1,5	29,60	18,20	0,83		1 1/2			
1 5/8	CEX209-26	85	22	42,8	18,3	56,3	21,4	63,5	5,1	6,5	1,90	3,5	81,81	5/16-24UNF	5/32	1,5	31,85	20,80	0,96		1 5/8			
1 11/16	CEX209-27	85	22	42,8	18,3	56,3	21,4	63,5	5,1	6,5	1,90	3,5	81,81	5/16-24UNF	5/32	1,5	31,85	20,80	0,91		1 11/16			
1 3/4	CEX209-28	85	22	42,8	18,3	56,3	21,4	63,5	5,1	6,5	1,90	3,5	81,81	5/16-24UNF	5/32	1,5	31,85	20,80	0,87		1 3/4			
1 7/8	CEX210-30	90	24	49,2	18,3	62,7	24,6	69,5	5,6	6,5	3,70	3,7	86,79	5/16-24UNF	5/32	1,5	35,10	23,20	1,10		1 7/8			
1 15/16	CEX210-31	90	24	49,2	18,3	62,7	24,6	69,5	5,6	6,5	3,70	3,7	86,79	5/16-24UNF	5/32	1,5	35,10	23,20	1,04		1 15/16			

*width across flats (hexagon socket)

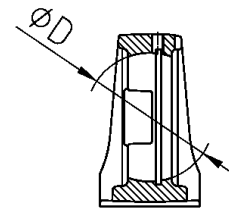
Tolerances and Fixing of housings



Tolerances of cast iron housings

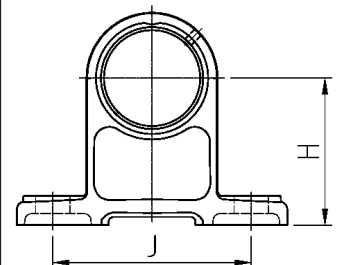
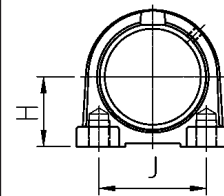
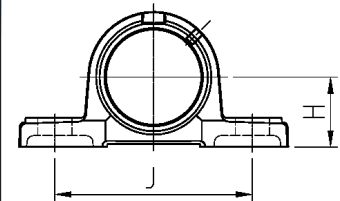
Tolerance of spherical bearing seat

Nominal size bearing seat D1 [mm]		Fit
over	incl.	
	180	J7
180	300	H7



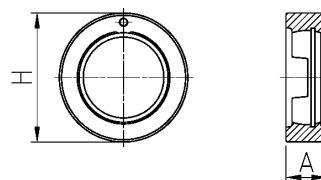
Tolerances of pillow block housings

Housing							Tolerances [μm]		
P	PLE	PE	PH / PG	PA / PAE	PP	H	J		
203		203	203	203	203				
204		204	204	204	204				
205	305	205	205	205	205				
206	306	206	206	206	206	±150	±700		
207	307	207	207	207	207				
208	308	208	208	208					
209	309	209	209	209					
210	310	210	210	210					
211	311	211		211					
212	312	212		212		±200	±1000		
213	313								
214	314	214							
215	315	215							
216	316	216							
217	317	217							
218	318	218				±300	±1000		
	319								
	320								
	321								
	322								
	324								
	326								
	328								

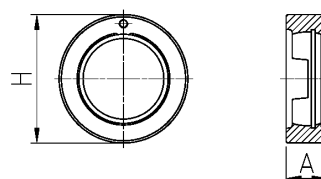


Tolerances of cartridge housings

Housing	Tolerances [μm]			Radial Runout max.
	H		A	
C200	max.	min.		
203	0	-30	± 200	200
204				
205				
206	0	-35		
207				
208				
209	0	-35	± 300	300
210				
211				
212				
213				
214				
215	0	-46		
216	0	-46		



Housing	Tolerances [μm]			Radial Runout max.		
	H		A			
C300	max.	min.				
305	0	-35	± 200	200		
306						
307						
308	0	-40			± 300	300
309						
310						
311	0	-40				
312						
313						
314	0	-46	± 300	300		
315						
316						
317						
318						
319						
320	0	-52	± 400	300		
321						
322						
324	0	-57			± 400	300
326						
328						

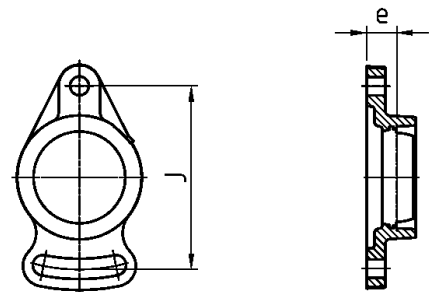
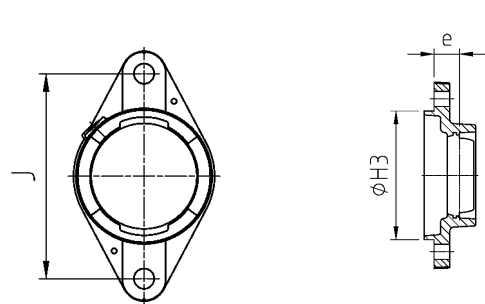
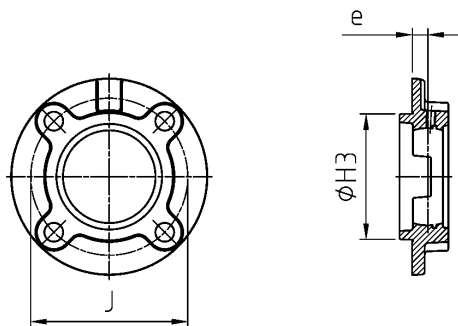


Tolerances and Fixing of housings

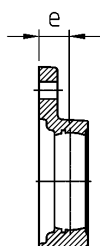
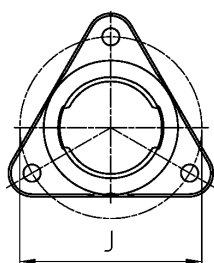
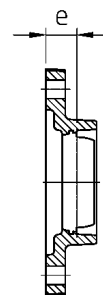
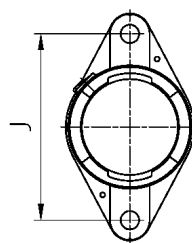
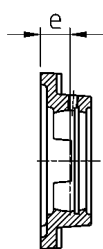
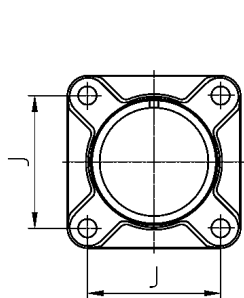


Tolerances of flanged housings

Housing											
F	FE	FCE	FC	FEE	FS	FTE	FLE	FL		FLZ	
203		203		203			203	203	203		
204		204	204	204			204	204	204		204
205	305	205	205	205	205	305	205	205	205	305	205
206	306	206	206	206	206	306	206	206	206	306	206
207	307	207	207	207	207	307	207	207	207	307	207
208	308	208	208	208	208	308	208	208	208	308	208
209	309	209	209	209	209	309	209	209	209	309	209
210	310	210	210	210	210	310	210	210	210	310	210
211	311	211	211	211		311		211	211	311	
212	312	212	212	212	212	312		212	212	312	212
213	313	213	213	213		313			213	313	
214	314	214	214	214		314		214	214	314	
215	315	215	215	215		315		215	215	315	
216	316	216	216	216		316			216	316	
217	317	217	217	217		317			217	317	
218	318	218	218	218		318			218	318	
	319					319				319	
	320					320				320	
	321					321				321	
	322					322				322	
	324					324				324	
	326					326				326	
	328					328				328	



			Tolerances [μm]			Radial Runout max.
FD	FA	FAE	J	e	H3	
203	203		± 700	± 500	H3	200
204	204	204				
205	205	205				
206	206	206				
207	207	207				
208	208		± 1000	± 800	h8	300
	209					
	210					
	211					
	212					
						400

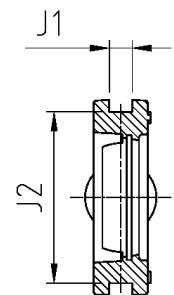
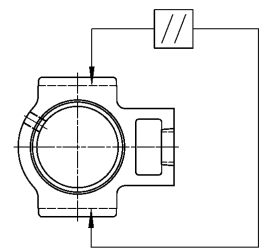


Tolerances and Fixing of housings



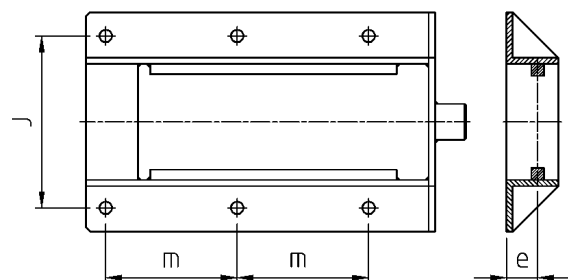
Tolerances of take-up housings

Housing		Tolerances [μm]				
		J1		J2		Parallelism of guiding groove max.
T		max.	min.	max.	min.	
204		+200	0	0	-500	500
205	305					
206	306					
207	307					
208	308					
209	309					
210	310	+300	0	0	-800	600
211	311					
212	312					
213	313					
214	314					
215	315					
216	316					700
217	317					
218	318					
	319					
	320					
	321					
	322	800				
	324					
	326					
	328					



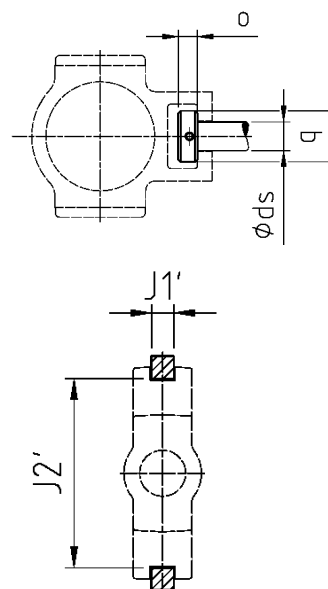
Tolerances of stretcher frames

Housing	Tolerances [μm]		
	m	J	e
WB 204 - 213	± 700	± 700	± 500



Tolerances stretcher frame accessories

Housing	Dimensions [mm]				
	Guiding rail		nut of threaded spindle		
T200	J2' $\pm 0,5$	J1'	ds	q	o
204	77	11	16	28	12
205			20		
206	90	15	24	42	14
207			24		
208	103	20	30	56	20
209					26
210	131	24	60	60	26
211					26
212	152	24	60	60	26
213					26



Housing	Dimensions [mm]				
	Guiding rail		nut of threaded spindle		
T300	J2' $\pm 0,5$	J1'	ds	q	o
305	81	11	22	32	12
306	91	15	24	38	14
307	101	16	26	40	16
308	113		28	46	18
309	126	18	30	50	20
310	141		32	55	22
311	151	20	34	60	24
312	161		36	64	
313	172	24	38	75	26
314	182		42		28
315	194	28	46	90	34
316	206				
317	216	30	50	95	38
318	230				
319	242	32	52	100	38
320	262				
321	287	36	55	110	42
322		36	55	110	42
326	322	42	60	120	48
326	352	46	65	130	52
328	382	46	70	140	56

Tolerances and Fixing of housings



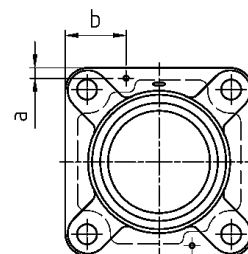
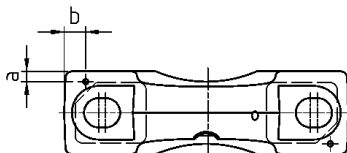
Fixing of housings

Pin placing

To meet an exact positioning of bearing units when mounted, the following cast iron housings are equipped with additional supporting surface for the positioning of pins.

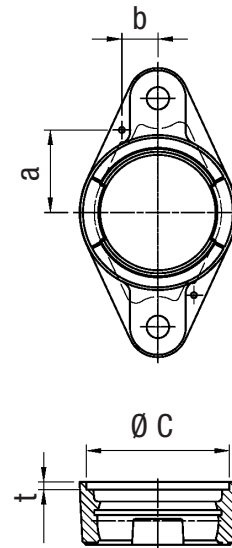
Housing		Dimensions [mm]			
P	PH	a	b	Thickness of housing	recommended Pin Ø
203	203	5,0	8,0	15	3
204	204	5,0	8,0	15	3
205	205	6,0	9,0	16	3
206	206	6,0	13,0	18	3
207	207	6,0	11,0	19	4
208	208	9,0	12,0	19	4
209	209	9,0	12,0	20	5
210	210	10,0	13,0	22	5
211		10,0	13,0	22	6
212		10,0	17,0	25	6
213		9,0	18,5	27	6
214		9,0	15,0	27	6
215		9,5	16,0	28	6
216		11,0	17,0	30	8
217		11,0	17,0	32	8
218		11,0	18,0	34	10
305		5,5	12,5	16	4
306		6,5	11,5	19	4
307		8,0	13,0	21	5
308		9,0	13,0	23	5
309		10,0	14,0	25	6
310		10,0	15,0	28	6
311		12,0	19,0	31	8
312		13,0	22,5	33	8
313		12,5	22,0	36	10
314		13,0	21,0	40	10
315		13,0	26,0	40	10
316		15,0	30,0	45	10
317		15,0	30,0	45	10
318		15,0	30,0	50	10
319		20,0	32,0	50	10
320		20,0	32,0	55	13
321		20,0	32,0	55	13
322		22,5	35,0	60	13
324		25,0	35,0	70	13
326		29,0	35,0	80	13
328		29,0	35,0	80	16

Housing		Dimensions [mm]			
F		a	b	Thickness of housing	recommended Pin Ø
203		6	30	9	3
204		6	30	9	3
205		6	34	9	3
206		6	35	10	3
207		7	38	12	4
208		8	40	12	4
209		8	43	14	5
210		8	47	14	5
211		8	47	15	6
212		8	50	15	6
213		9	52	15	6
214		9	54	20	6
215		9	54	20	6
216		10	55	20	8
217		10	58	20	8
218		11	62	20	10
305		6	37	9	4
306		7	40	11	4
307		8	46	12	5
308		8	48	13	5
309		8	48	14	6
310		9	52	15	6
311		10	55	16	8
312		10	56	17	8
313		11	56	17	10
314		11	62	20	10
315		11	65	20	10
316		11	70	22	10
317		11	70	22	11
318		12	78	24	10
319		12	80	24	10
320		14	85	26	13
321		14	85	26	13
322		14	90	29	13
324		14	95	34	13
326		15	105	39	13
328		17	120	42	16

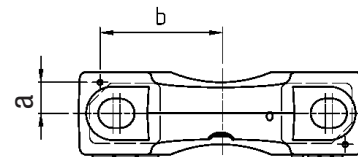


Fixing of housings

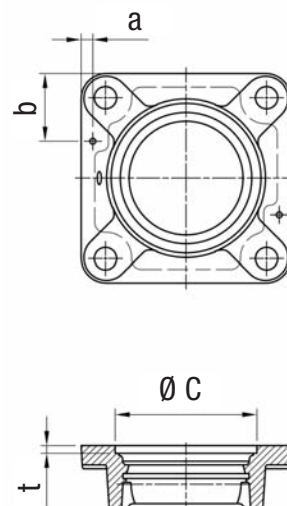
Housing	Dimensions [mm]					
	FLE	a	b	Thickness of housing	recom- mended Pin Ø	centering-Ø C ^{+0,2}
203	28,0	14,0	8,0	3	44,80	3,2
204	31,0	14,5	8,5	3	50,80	3,2
205	35,0	16,0	9,0	3	63,50	3,2
206	42,5	17,0	10,0	3	73,00	4,0
207	50,0	17,0	11,0	4	82,50	4,0
208	55,0	19,0	11,0	4	88,90	4,0
209	58,0	21,0	11,0	5	98,42	4,0
210	60,0	22,5	11,0	5	101,60	4,0
211	70,0	26,0	13,0	6	107,95	4,0
212	75,0	26,0	14,0	6	125,40	4,0
213	85,0	28,0	15,0	6	142,00	4,0
214	85,0	28,0	15,0	6	142,00	4,0
215	85,0	30,0	15,0	6	142,00	4,0



Housing	Dimensions [mm]			
	PE	a	b	Thickness of housing
204	10,0	59,0	14,5	3
205	12,0	59,0	14,5	3
206	13,0	72,0	17,0	3
207	14,5	73,5	19,0	4
208	16,0	81,5	19,0	4
209	16,0	88,0	21,5	5
210	18,0	91,0	21,5	5
211	20,0	101,0	22,5	6
212	20,0	110,0	25,0	6
214	21,5	119,0	27,5	6
215	22,0	121,5	27,5	6
216	26,0	132,0	30,0	8
218	28,5	151,0	35,0	10



Housing	Dimensions [mm]					
	FE	a	b	Thickness of housing	recom- mended Pin Ø	centering-Ø C ^{+0,2}
203	32,0	12	9,5	3	44,80	3,2
204	36,0	13	10,0	3	50,80	3,2
205	40,5	15	11,0	3	63,50	3,2
206	46,0	17	12,0	3	76,20	4,0
207	51,0	18	12,5	4	88,90	4,0
208	57,0	20	13,0	4	88,90	4,0
209	60,5	21	13,0	5	98,42	4,0
210	63,5	22	13,0	5	101,60	4,0
211	71,0	25	15,0	6	107,95	4,0
212	77,5	27	16,0	6	125,40	4,0
213	85,0	29	18,0	6	161,92	4,0
214	85,0	29	18,0	6	161,92	4,0
215	88,5	30	20,0	6	161,92	4,0
216	88,5	30	20,0	6	161,92	4,0
218	103,5	36	22,0	6	179,37	4,0



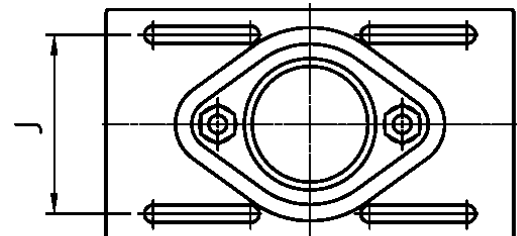
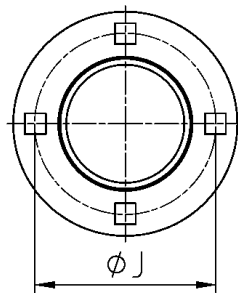
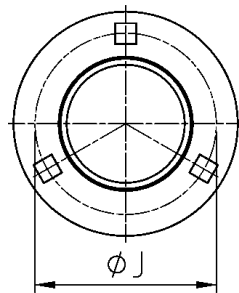
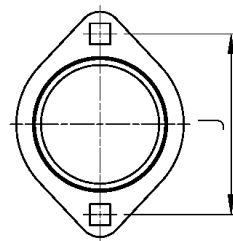
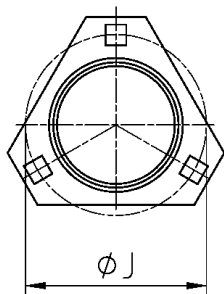
Tolerances and Fixing of housings



Tolerances of pressed steel housings

Tolerances of flanged housings

Housing			Tolerance [μm]
PF / PFT	PFL	PFE	J
203	203		
204	204		
205	205	205	± 500
206	206	206	
207	207		
	208		
209			
210			± 1000
211			
212			

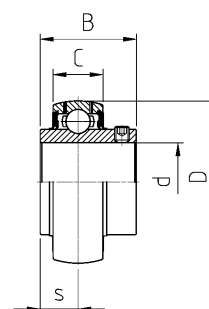


4 mounting holes from shaft diameter 40 on

Tolerances of bearing inserts

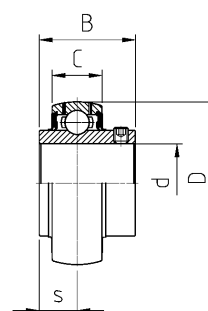
Tolerances of outer ring

Nominal diameter D [mm]		Dmp [μm]		K _{ea} [μm] max.
over	incl.	min.	max.	
	50	-11	0	20
50	80	-13	0	25
80	120	-15	0	35
120	150	-18	0	40
150	180	-25	0	45
180	250	-30	0	50
250	315	-35	0	60



Tolerances of inner ring

Nominal diameter d [mm]		Tolerance of S [μm]
over	incl.	
	50	±200
50	80	±250
80	120	±300
120	140	±350



CUC/CUS/CES/CEX

Nominal diameter d [mm]		Δdmp [μm]		K _{ia} [μm] max.	ΔBs [μm]	
over	incl.	min.	max.		min.	max.
	18	+15	0	10	-120	0
18	30	+18	0	10	-120	0
30	50	+21	0	13	-120	0

Tolerances and Fixing of housings



Tolerances of inner ring

UC/ES/US/EX

Nominal diameter d [mm]		Δd_{mp} [μm]		K_{ia} [μm]	ΔB_s [μm]	
over	incl.	min.	max.	max.	min.	max.
	18	0	+15	12	-120	0
18	30	0	+18	15	-120	0
30	50	0	+21	18	-120	0
50	80	0	+24	22	-150	0
80	120	0	+28	28	-200	0
120	140	0	+33	35	-250	0

Δd_{mp} = Allowance of the average bore diameter in a single plane

ΔD_{mp} = Allowance of the average outer diameter in a single plane

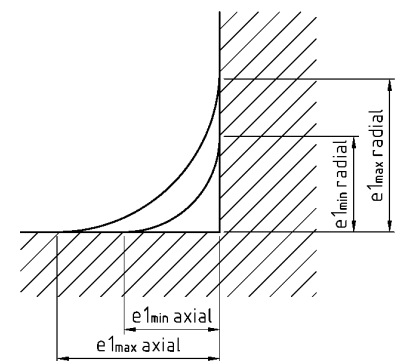
K_{ia} = Radial runout of the inner race in an assembled bearing bearing insert

K_{ea} = Radial runout of the outer race in an assembled bearing bearing insert

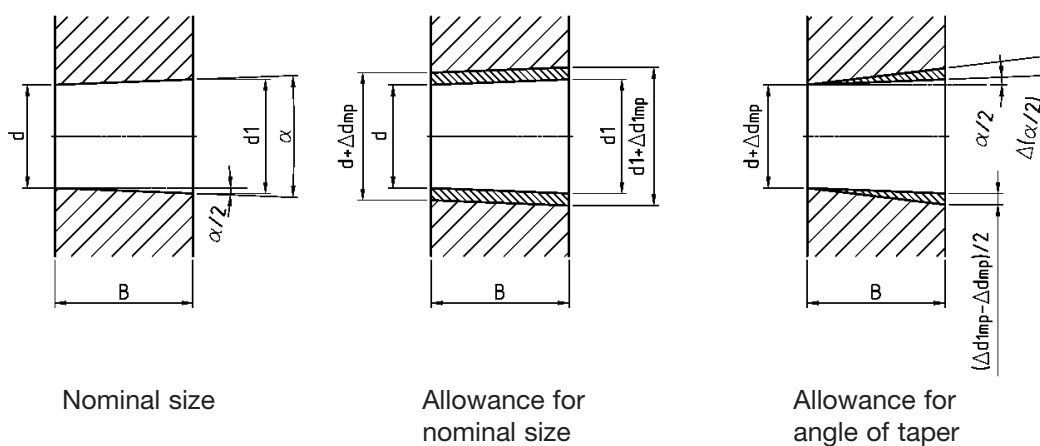
ΔB_s = Allowance of a single inner race width

Tolerances of edge clearances

Nominal size of edge clearance e1 [mm]	Bore diameter [mm]		$e1_{min}$ [mm]		$e1_{max}$ [mm]	
	over	incl.	radial	axial	radial	axial
0,6		40,0	0,6	0,6	1,0	2,0
1,0		50,0	1,0	1,0	1,5	3,0
1,1		120,0	1,1	1,1	2,0	3,5
1,5		120,0	1,5	1,5	2,3	4,0
2,0		80,0	2,0	2,0	3,0	4,5
	80,0				3,5	5,0
2,5		100,0	2,5	2,5	3,8	6,0
3,0		280,0	3,0	3,0	5,0	8,0
4,0			4,0	4,0	6,5	9,0



Tolerance of tapered bore



Nominal diameter d [mm]		Deviation			
		Δd_{mp} [μm]		$\Delta d_{1mp} - \Delta d_{mp}$ [μm]	
over	incl.	min.	max.	min.	max.
18	30	0	+33	0	+21
30	50	0	+39	0	+25
50	80	0	+46	0	+30
80	120	0	+54	0	+35
120	180	0	+63	0	+40

- α = Nominal angle of taper = $4^{\circ}46'18,8''$
 $\alpha/2$ = Angle of inclination at end of cone = $2^{\circ}23'9,4''$
 $\Delta\alpha/2$ = Deviation of angle of inclination = $1,716 \cdot \frac{\Delta d_{1mp} - \Delta d_{mp}}{B}$ [minutes]
 B = Width of inner ring
 d = Nominal bore diameter
 d_1 = Bore diameter at large cone end = $d + 0,083333 \cdot B$
 Δd_{mp} = Deviation of average bore diameter in a single plane
 Δd_{1mp} = Deviation of bore diameter d_1

Custom-built bearing units



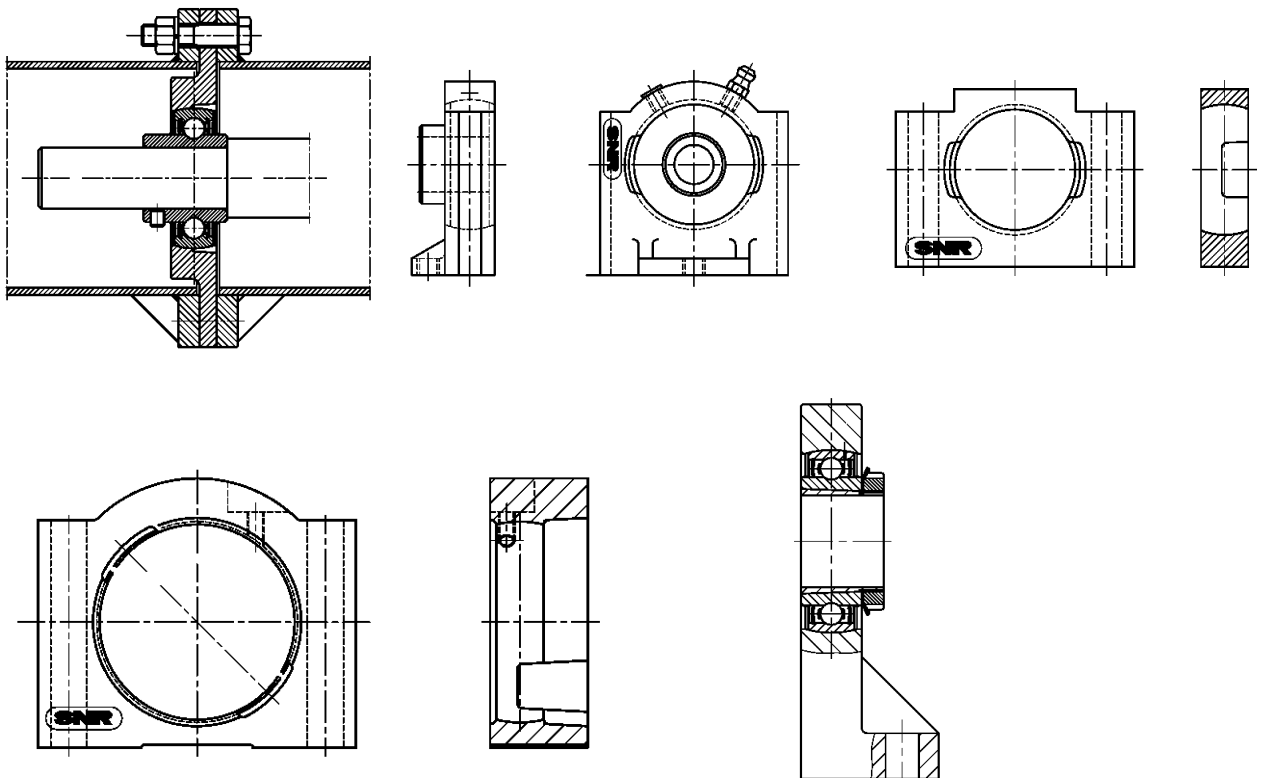
Designs

The SNR standard range of ball bearing units includes a large number of various types in e.g. different shapes and materials. In case the presented standard solutions are not sufficient for a special application, SNR can design a particular solution.

SNR already met the special requirements of numerous customers by manufacturing bearing units in multiple variations with special materials, as e.g. cast iron or steel casting, special surface treatments, as e.g. zinc or nickel coating, or special shapes adapted to narrow spaces. A flexible production enables us to manufacture small quantities with short time of delivery.

SNR has years of experience in realization of special solutions. In the following you find a small selection of special ball bearing units designed in cooperation with our customers.

Examples



Conversion table inch-mm

inch	0	1	2	3	4	5	6	7	8	9	10
0	0	25,400	50,800	76,200	101,600	127,000	152,400	177,800	203,200	228,600	254,000
1/64	0,397	25,797	51,197	76,597	101,997	127,397	152,797	178,197	203,597	228,997	254,397
1/32	0,794	26,194	51,594	76,994	102,394	127,794	153,194	178,594	203,994	229,394	254,794
3/64	1,191	26,591	51,991	77,391	102,791	128,191	153,591	178,991	204,391	229,791	255,191
1/16	1,588	26,988	52,388	77,788	103,188	128,588	153,988	179,388	204,788	230,188	255,588
5/64	1,984	27,384	52,784	78,184	103,584	128,984	154,384	179,784	205,184	230,584	255,984
3/32	2,381	27,781	53,181	78,581	103,981	129,381	154,781	180,181	205,581	230,981	256,381
7/64	2,778	28,178	53,578	78,978	104,378	129,778	155,178	180,578	205,978	231,378	256,778
1/8	3,175	28,575	53,975	79,375	104,775	130,175	155,575	180,975	206,375	231,775	257,175
9/64	3,572	28,972	54,372	79,772	105,172	130,572	155,972	181,372	206,772	232,172	257,572
5/32	3,969	29,369	54,769	80,169	105,569	130,969	156,369	181,769	207,169	232,569	257,969
11/64	4,366	29,766	55,166	80,566	105,966	131,366	156,766	182,166	207,566	232,966	258,366
3/16	4,763	30,163	55,563	80,963	106,363	131,763	157,163	182,563	207,963	233,363	258,763
13/64	5,159	30,559	55,959	81,359	106,759	132,159	157,559	182,959	208,359	233,759	259,159
7/32	5,556	30,956	56,356	81,756	107,156	132,556	157,956	183,356	208,756	234,156	259,556
15/64	5,953	31,353	56,753	82,153	107,553	132,953	158,353	183,753	209,153	234,553	259,953
1/4	6,350	31,750	57,150	82,550	107,950	133,350	158,750	184,150	209,550	234,950	260,350
17/64	6,747	32,147	57,547	82,947	108,347	133,747	159,147	184,547	209,947	235,347	260,747
9/32	7,144	32,544	57,944	83,344	108,744	134,144	159,544	184,944	210,344	235,744	261,144
19/64	7,541	32,941	58,341	83,741	109,141	134,541	159,941	185,341	210,741	236,141	261,541
5/16	7,938	33,338	58,738	84,138	109,538	134,938	160,338	185,738	211,138	236,538	261,938
21/64	8,334	33,734	59,134	84,534	109,934	135,334	160,734	186,134	211,534	236,934	262,334
11/32	8,731	34,131	59,531	84,931	110,331	135,731	161,131	186,531	211,931	237,331	262,731
23/64	9,128	34,528	59,928	85,328	110,728	136,128	161,528	186,928	212,328	237,728	263,128
3/8	9,525	34,925	60,325	85,725	111,125	136,525	161,925	187,325	212,725	238,125	263,525
25/64	9,922	35,322	60,722	86,122	111,522	136,922	162,322	187,722	213,122	238,522	263,922
13/32	10,319	35,719	61,119	86,519	111,919	137,319	162,719	188,119	213,519	238,919	264,319
27/64	10,716	36,116	61,516	86,916	112,316	137,716	163,116	188,516	213,916	239,316	264,716
7/16	11,113	36,513	61,913	87,313	112,713	138,113	163,513	188,913	214,313	239,713	265,113
29/64	11,509	36,909	62,309	87,709	113,109	138,509	163,909	189,309	214,709	240,109	265,509
15/32	11,906	37,306	62,706	88,106	113,506	138,906	164,306	189,706	215,106	240,506	265,906
31/64	12,303	37,703	63,103	88,503	113,903	139,303	164,703	190,103	215,503	240,903	266,303
1/2	12,700	38,100	63,500	88,900	114,300	139,700	165,100	190,500	215,900	241,300	266,700
33/64	13,097	38,497	63,897	89,297	114,697	140,097	165,497	190,897	216,297	241,697	267,097
17/32	13,494	38,894	64,294	89,694	115,094	140,494	165,894	191,294	216,694	242,094	267,494
35/64	13,891	39,291	64,691	90,091	115,491	140,891	166,291	191,691	217,091	242,491	267,891
9/16	14,288	39,688	65,088	90,488	115,888	141,288	166,688	192,088	217,488	242,888	268,288
37/64	14,684	40,084	65,484	90,884	116,284	141,684	167,084	192,484	217,884	243,284	268,684
19/32	15,081	40,481	65,881	91,281	116,681	142,081	167,481	192,881	218,281	243,681	269,081
39/64	15,478	40,878	66,278	91,678	117,078	142,478	167,878	193,278	218,678	244,078	269,478
5/8	15,875	41,275	66,675	92,075	117,475	142,875	168,275	193,675	219,075	244,475	269,875
41/64	16,272	41,672	67,072	92,472	117,872	143,272	168,672	194,072	219,472	244,872	270,272
21/32	16,669	42,069	67,469	92,869	118,269	143,669	169,069	194,469	219,869	245,269	270,669
43/64	17,066	42,466	67,866	93,266	118,666	144,066	169,466	194,866	220,266	245,666	271,066
11/16	17,463	42,863	68,263	93,663	119,063	144,463	169,863	195,263	220,663	246,063	271,463
45/64	17,859	43,259	68,659	94,059	119,459	144,859	170,259	195,659	221,059	246,459	271,859
23/32	18,256	43,656	69,056	94,456	119,856	145,256	170,656	196,056	221,456	246,856	272,256
47/64	18,653	44,053	69,453	94,853	120,253	145,653	171,053	196,453	221,853	247,253	272,653
3/4	19,050	44,450	69,850	95,250	120,650	146,050	171,450	196,850	222,250	247,650	273,050
49/64	19,447	44,847	70,247	95,647	121,047	146,447	171,847	197,247	222,647	248,047	273,447
25/32	19,844	45,244	70,644	96,044	121,444	146,844	172,244	197,644	223,044	248,444	273,844
51/64	20,241	45,641	71,041	96,441	121,841	147,241	172,641	198,041	223,441	248,841	274,241
13/16	20,638	46,038	71,438	96,838	122,238	147,638	173,038	198,438	223,838	249,238	274,638
53/64	21,034	46,434	71,834	97,234	122,634	148,034	173,434	198,834	224,234	249,634	275,034
27/32	21,431	46,831	72,231	97,631	123,031	148,431	173,831	199,231	224,631	250,031	275,431
55/64	21,828	47,228	72,628	98,028	123,428	148,828	174,228	199,628	225,028	250,428	275,828
7/8	22,225	47,625	73,025	98,425	123,825	149,225	174,625	200,025	225,425	250,825	276,225
57/64	22,622	48,022	73,422	98,822	124,222	149,622	175,022	200,422	225,822	251,222	276,622
29/32	23,019	48,419	73,819	99,219	124,619	150,019	175,419	200,819	226,219	251,619	277,019
59/64	23,416	48,816	74,216	99,616	125,016	150,416	175,816	201,216	226,616	252,016	277,416
15/16	23,813	49,213	74,613	100,013	125,413	150,813	176,213	201,613	227,013	252,413	277,813
61/64	24,209	49,609	75,009	100,409	125,809	151,209	176,609	202,009	227,409	252,809	278,209
31/32	24,606	50,006	75,406	100,806	126,206	151,606	177,006	202,406	227,806	253,206	278,606
63/64	25,003	50,403	75,803	101,203	126,603	152,003	177,403	202,803	228,203	253,603	279,003



Conversion table mm-inch

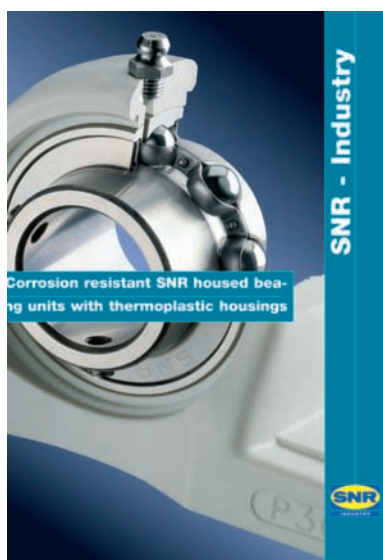
mm	10	20	30	40	50	60	70	80	90	
0	0	0,39370	0,78740	1,18110	1,57480	1,96850	2,36220	2,75591	3,14961	3,54331
1	0,03937	0,43307	0,82677	1,22047	1,61417	2,00787	2,40157	2,79528	3,18898	3,58268
2	0,07874	0,47244	0,86614	1,25984	1,65354	2,04724	2,44094	2,83465	3,22835	3,62205
3	0,11811	0,51181	0,90551	1,29921	1,69291	2,08661	2,48031	2,87402	3,26772	3,66142
4	0,15748	0,55118	0,94488	1,33858	1,73228	2,12598	2,51969	2,91339	3,30709	3,70079
5	0,19685	0,59055	0,98425	1,37795	1,77165	2,16535	2,55906	2,95276	3,34646	3,74016
6	0,23622	0,62992	1,02362	1,41732	1,81102	2,20472	2,59843	2,99213	3,38583	3,77953
7	0,27559	0,66929	1,06299	1,45669	1,85039	2,24409	2,63780	3,03150	3,42520	3,81890
8	0,31496	0,70866	1,10236	1,49606	1,88976	2,28346	2,67717	3,07087	3,46457	3,85827
9	0,35433	0,74803	1,14173	1,53543	1,92913	2,32283	2,71654	3,11024	3,50394	3,89764

mm	100	200	300	
0	0	3,93701	7,87402	11,81102
5	0,19685	4,13386	8,07087	12,00787
10	0,39370	4,33071	8,26772	12,20472
15	0,59055	4,52756	8,46457	12,40157
20	0,78740	4,72441	8,66142	12,59843
25	0,98425	4,92126	8,85827	12,79528
30	1,18110	5,11811	9,05512	12,99213
35	1,37795	5,31496	9,25197	13,18898
40	1,57480	5,51181	9,44882	13,38583
45	1,77165	5,70866	9,64567	13,58268
50	1,96850	5,90551	9,84252	13,77953
55	2,16535	6,10236	10,03937	13,97638
60	2,36220	6,29921	10,23622	14,17323
65	2,55906	6,49606	10,43307	14,37008
70	2,75591	6,69291	10,62992	14,56693
75	2,95276	6,88976	10,82677	14,76378
80	3,14961	7,08661	11,02362	14,96063
85	3,34646	7,28346	11,22047	15,15748
90	3,54331	7,48031	11,41732	15,35433
95	3,74016	7,67717	11,61417	15,55118

mm	inch	mm	inch	mm	inch
0,001	0,000039	0,01	0,000394	0,1	0,003937
0,002	0,000079	0,02	0,000787	0,2	0,007874
0,003	0,000118	0,03	0,001181	0,3	0,011811
0,004	0,000157	0,04	0,001575	0,4	0,015748
0,005	0,000197	0,05	0,001969	0,5	0,019685
0,006	0,000236	0,06	0,002362	0,6	0,023622
0,007	0,000276	0,07	0,002756	0,7	0,027559
0,008	0,000315	0,08	0,003150	0,8	0,031496
0,009	0,000354	0,09	0,003543	0,9	0,035433

SNR ball bearing unit range

Corrosion-resistant SNR ball bearing units with thermoplastic housings

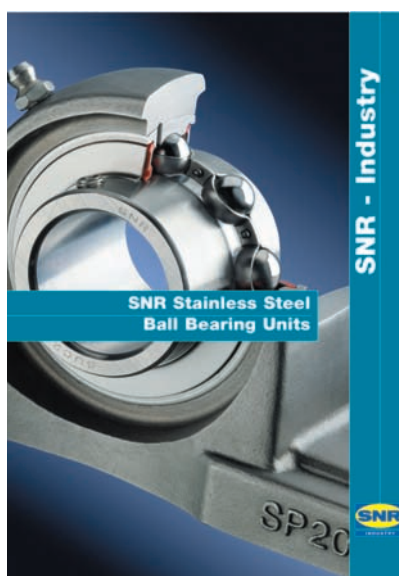


The ball bearing units presented in this catalogue are composed of housings made of Thermoplastic PBT and bearing inserts of stainless or chrome steel.

The units can be equipped with protective caps of SR50 (Polypropylen), open with 2-lip seal for passing shafts or closed for shaft ends..

The bearing units are used, among other areas, in the food- and pharmaceutical industries with their high demands for hygiene and corrosion resistance of the material used. For this reason all bearing units are lubricated with grease in accordance with the USDA H1 standard. Currently this standard places the most stringent requirements on the hygiene and purity of the materials used in the lubricant.

SNR ball bearing units of stainless steel



SNR ball bearing units made of stainless steel are used, among other areas, for applications with high requirements for the corrosion resistance of the components.

In these applications with severe operating conditions, as e.g. high humidity or direct contact with aggressive media, conventional bearing units meet the requirements insufficient or not at all.

SNR takes these special applications into account with an extensive standard range of ball bearing units made of stainless steel.

Furthermore SNR meets the requirements of the pharmaceutical- and food-industries according to USDA H1 (high purity of the raw materials used in the lubricant) by filling all inserts of SNR stainless steel bearing units exclusively with grease according to this specification.

